

[54] HOUSING FOR SUCTION SWEEPER

[56]

References Cited

[75] Inventor: Robert M. Rubin, Kansas City, Mo.

D. 192,024	1/1962	McKnight	D15/53
D. 199,389	10/1964	Ernest	D15/53
D. 244,524	5/1977	Howard et al.	D15/62

[73] Assignee: Billy Goat Industries, Inc., Lee's Summit, Mo.

Primary Examiner—Catherine E. Kemper
Attorney, Agent, or Firm—Gordon D. Schmidt

[**] Term: 14 Years

[57] CLAIM

[21] Appl. No.: 969,735

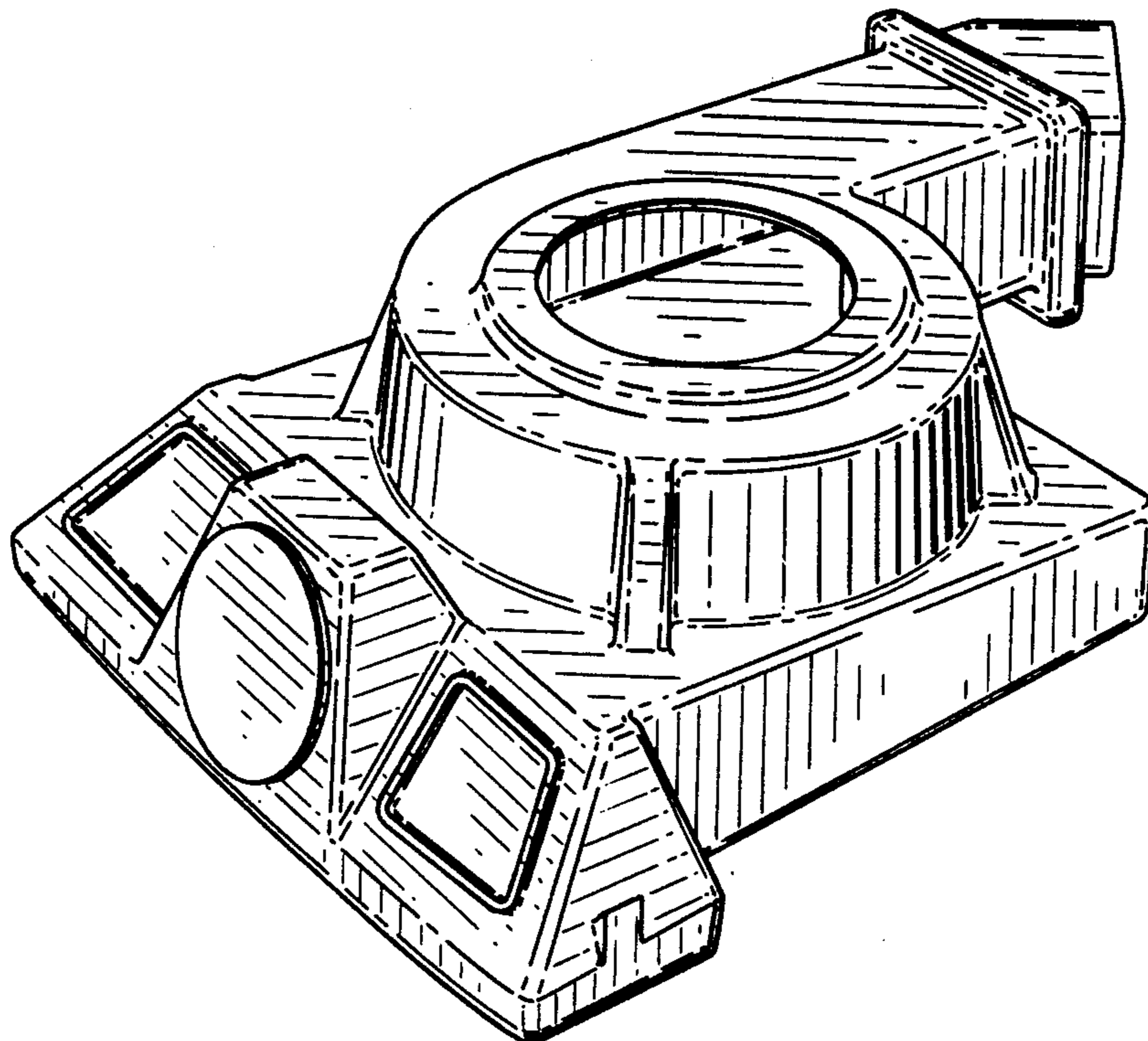
The ornamental design for a housing for suction sweeper, as shown.

[22] Filed: Dec. 15, 1978

DESCRIPTION

[51] Int. Cl. D15—05
 [52] U.S. Cl. D15/53
 [58] Field of Search D15/52, 53, 54, 55,
 D15/62, 63

FIG. 1 is a perspective view of a housing for suction sweeper, showing my new design;
 FIG. 2 is a rear elevational view thereof;
 FIG. 3 is a side elevational view showing the side opposite to that shown in FIG. 1; and
 FIG. 4 is a bottom plan view thereof.



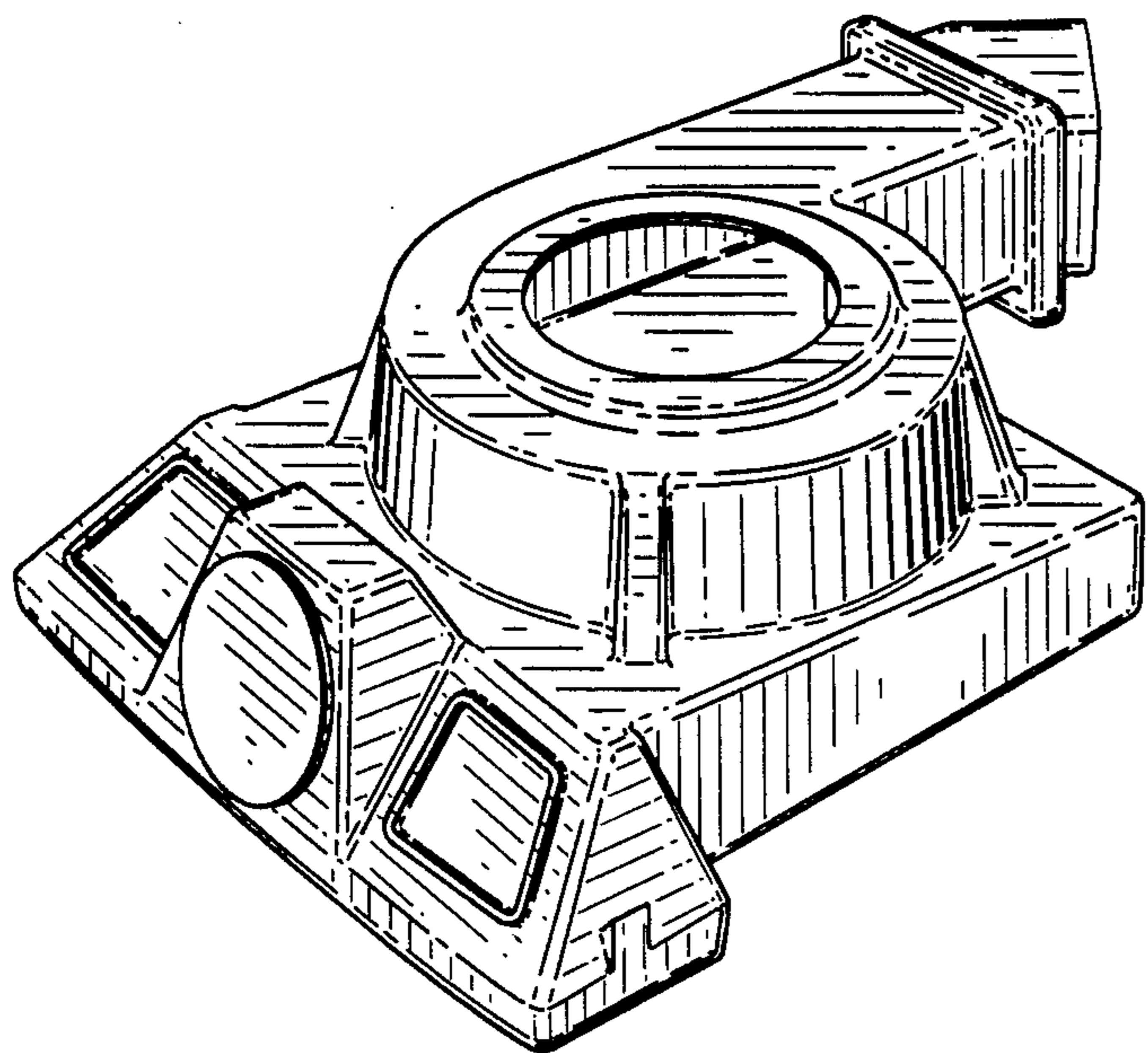


Fig. 1.

Fig. 2.

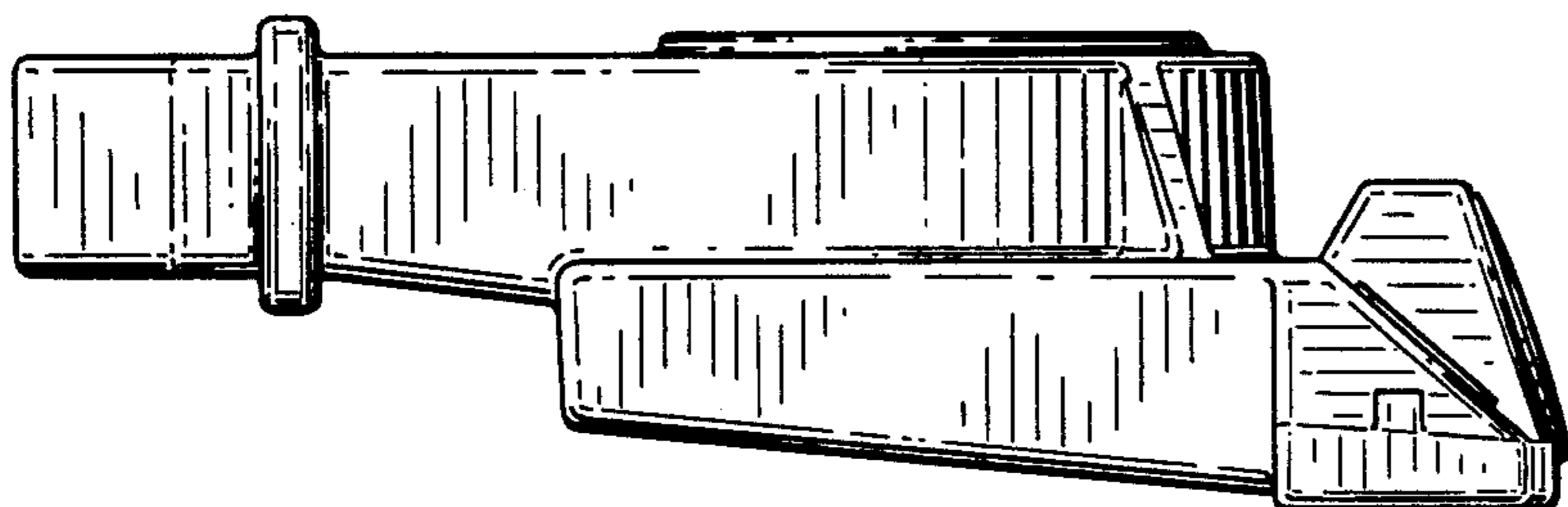
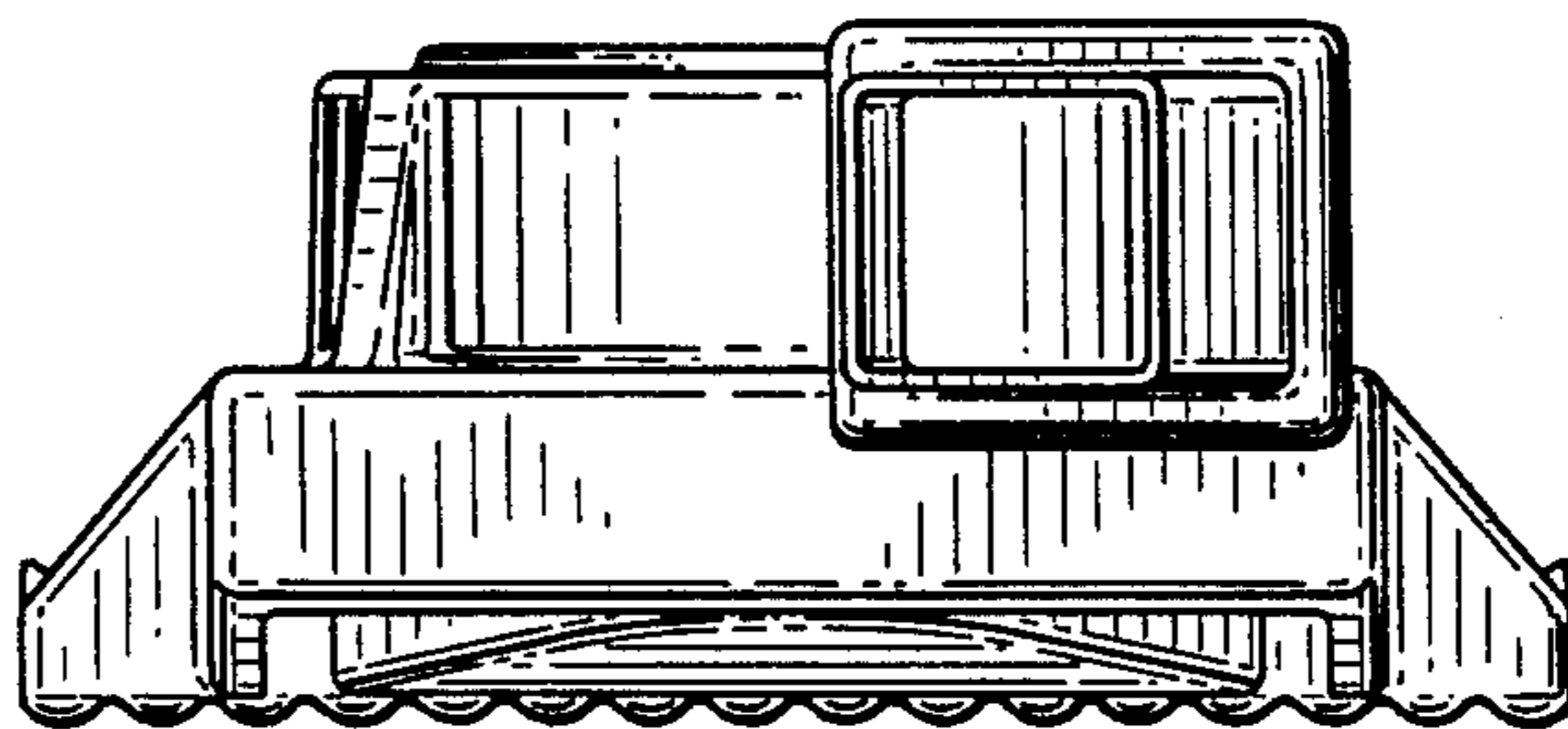


Fig. 3.

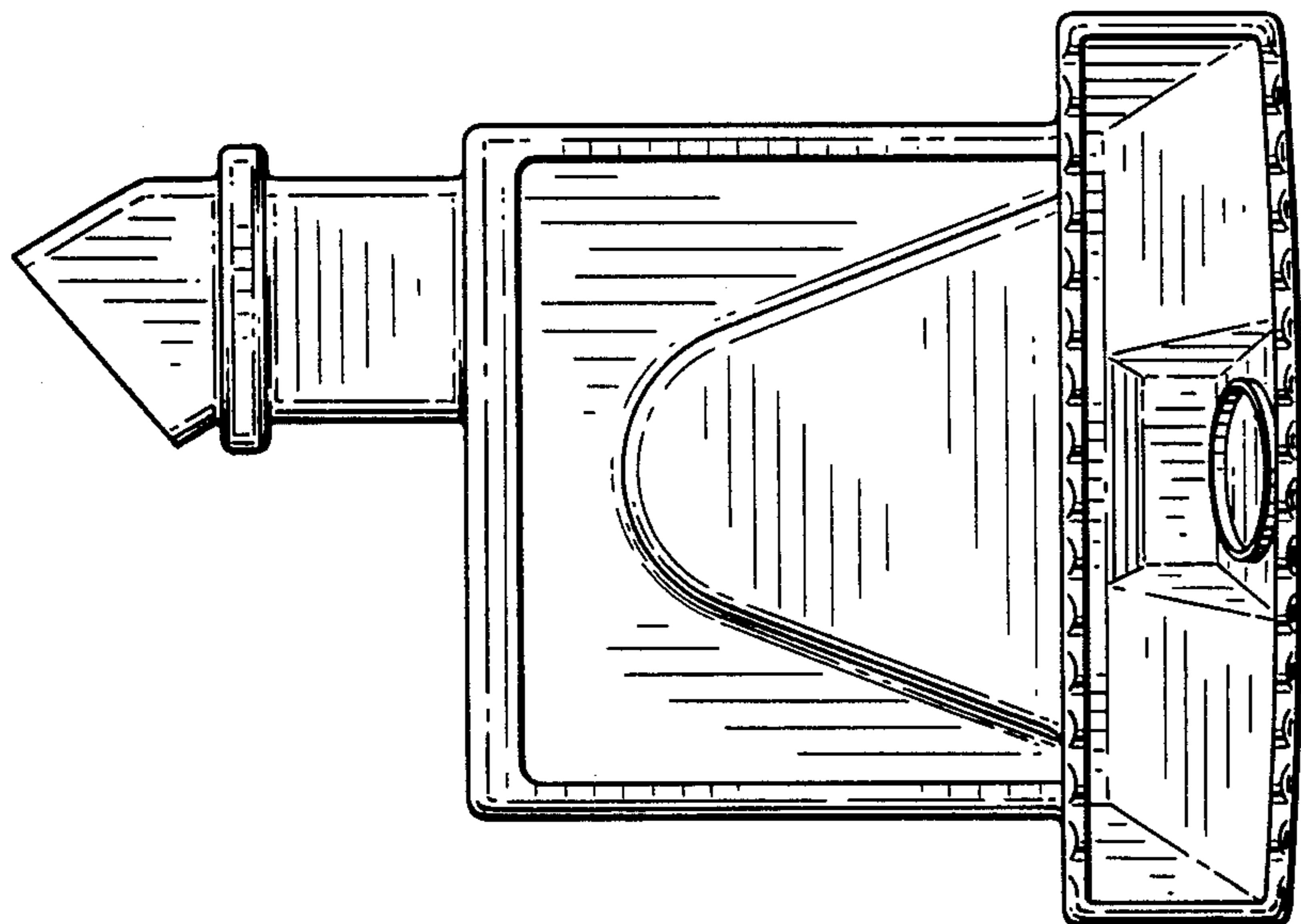


Fig. 4.