

[54] **EARTH WORKING IMPLEMENT**

[76] **Inventor:** John P. Staley, 6080 Ingold Rd.,
Whitsett, N.C. 27377

[**] **Term:** 14 Years

[21] **Appl. No.:** 929,450

[22] **Filed:** Jul. 31, 1978

[51] **Int. Cl.** D15—03

[52] **U.S. Cl.** D15/27; D15/11

[58] **Field of Search** D15/11, 27;
172/196-200

[56]

References Cited

U.S. PATENT DOCUMENTS

D. 200,866 4/1965 Coss D15/27
3,430,703 3/1969 Richey 172/197

Primary Examiner—James M. Gandy
Attorney, Agent, or Firm—David Rabin

[57]

CLAIM

The ornamental design for an earth working implement,
as shown and described.

DESCRIPTION

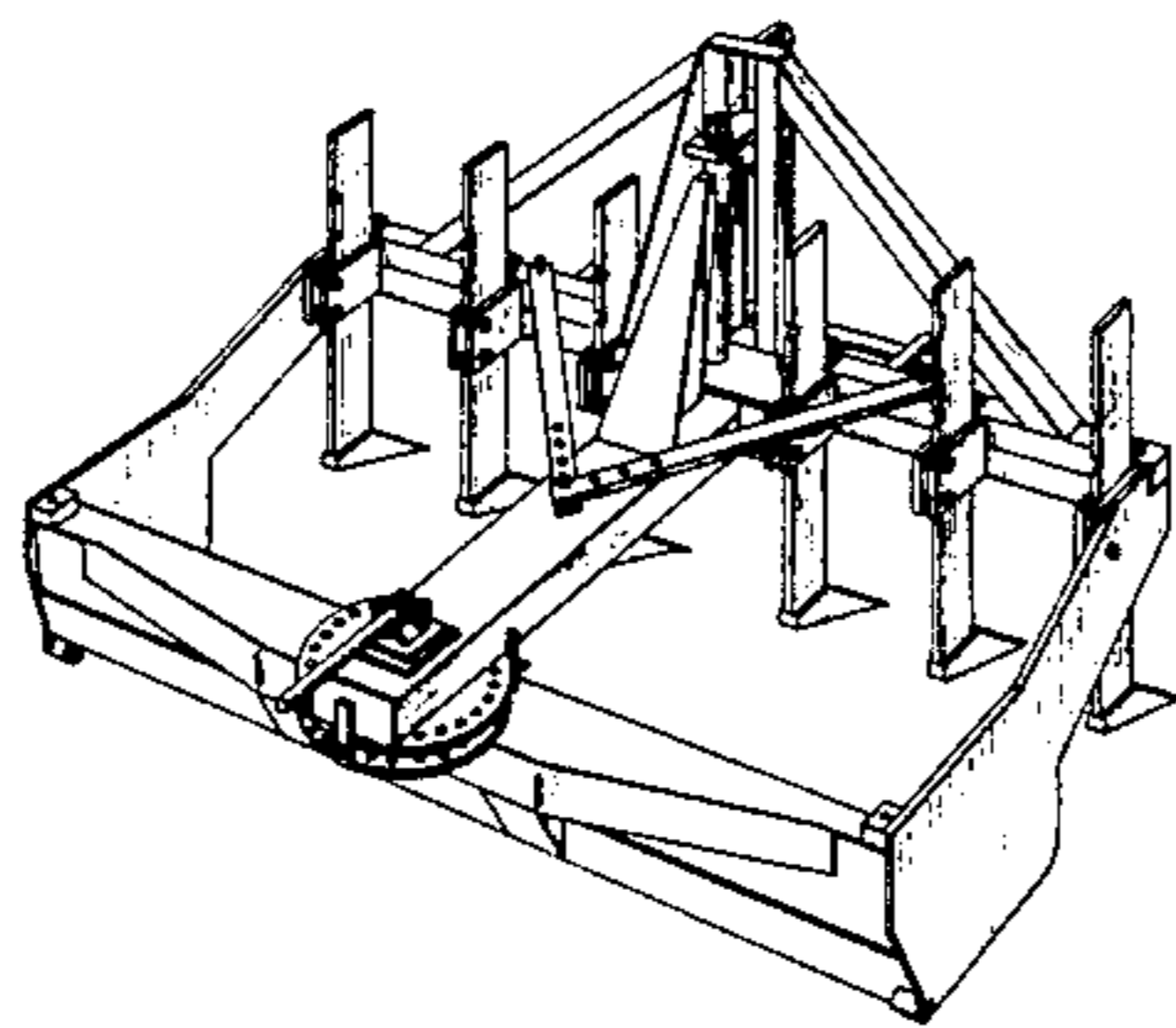
FIG. 1 is a perspective view of the earth working
implement embodying my design;

FIG. 2 is a front elevational view thereof;

FIG. 3 is a top plan view thereof;

FIG. 4 is a left side elevational view thereof with a
portion of the side panel cutaway; and

FIG. 5 is a rear elevational view thereof.



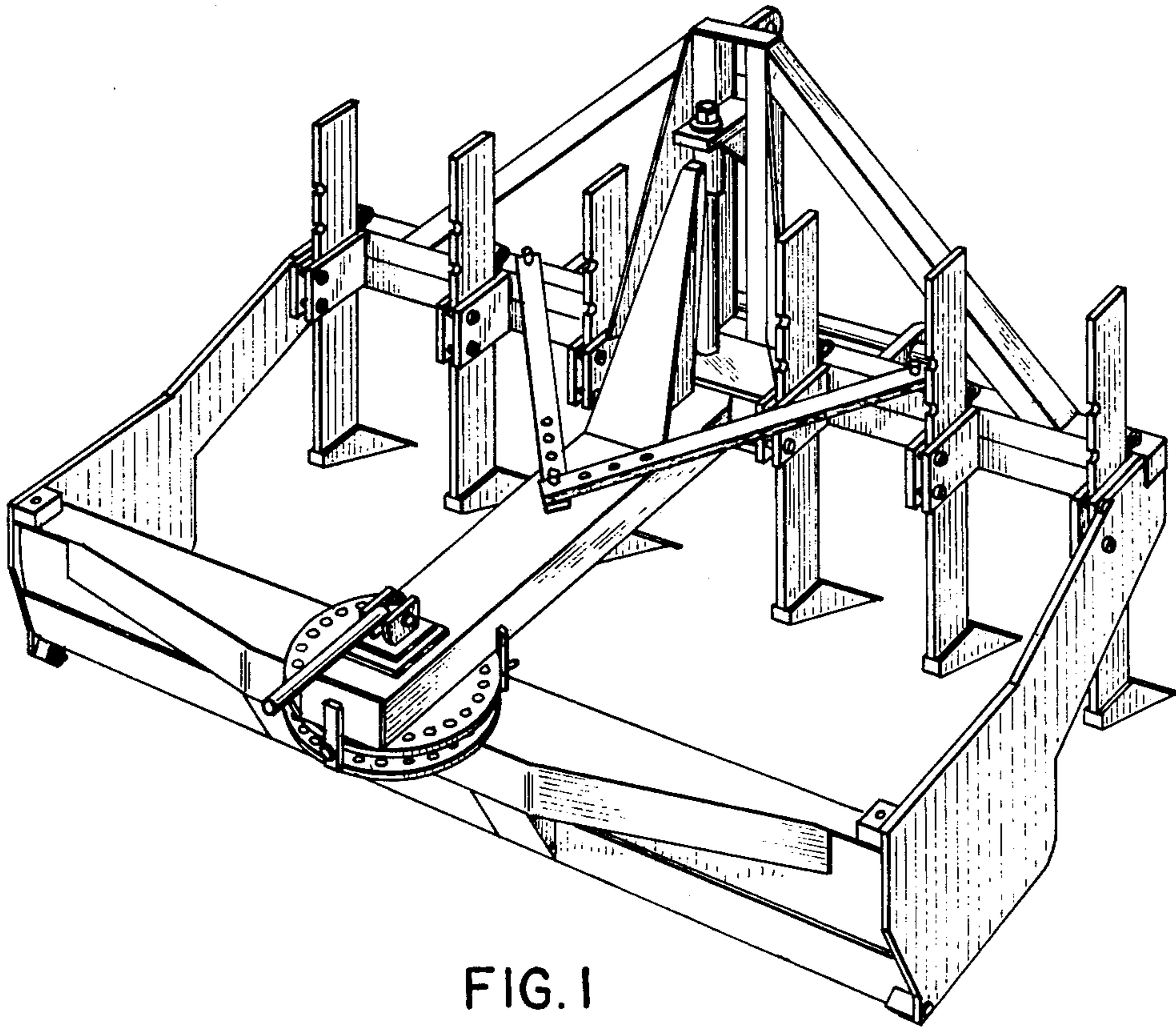


FIG. 1

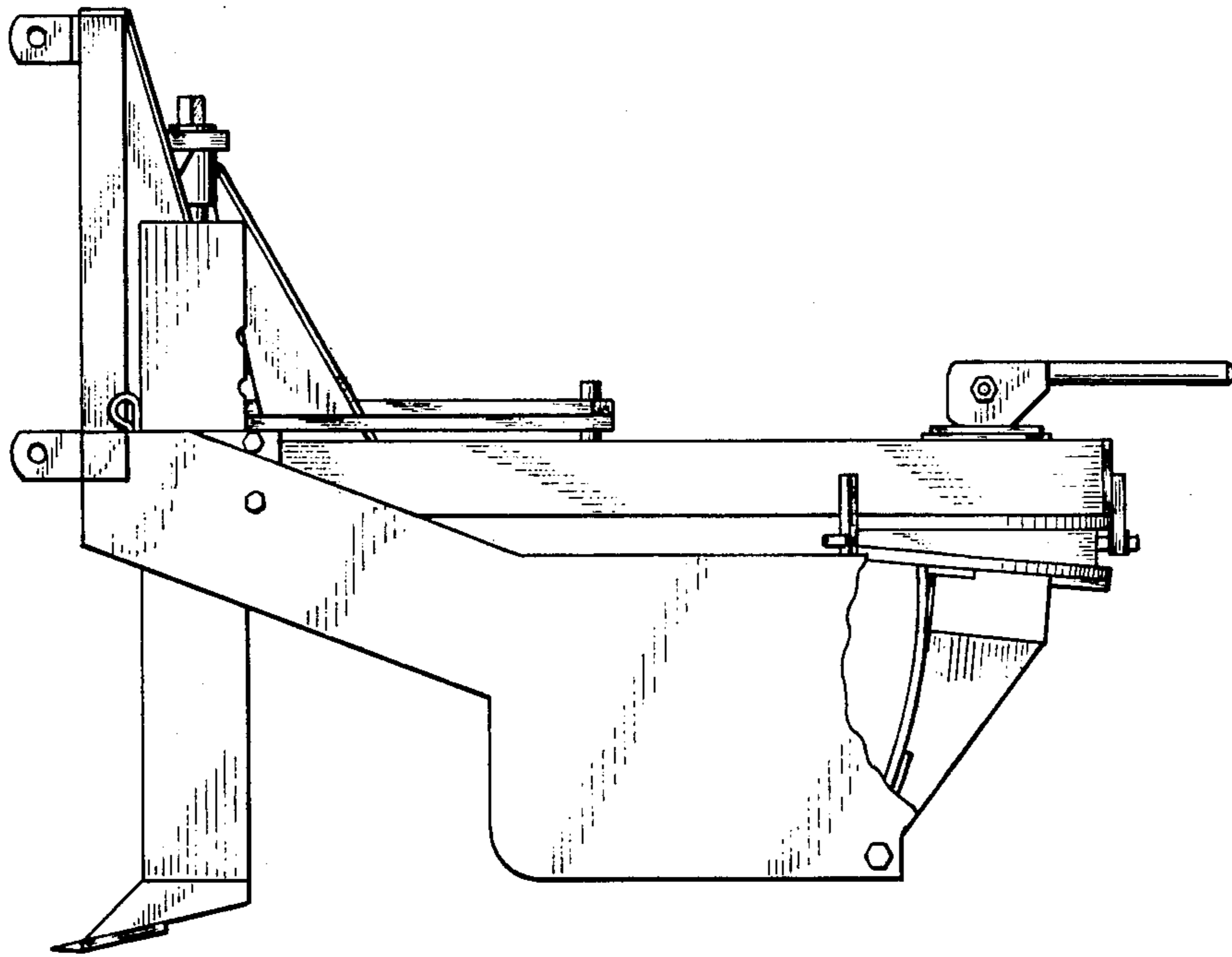


FIG. 4

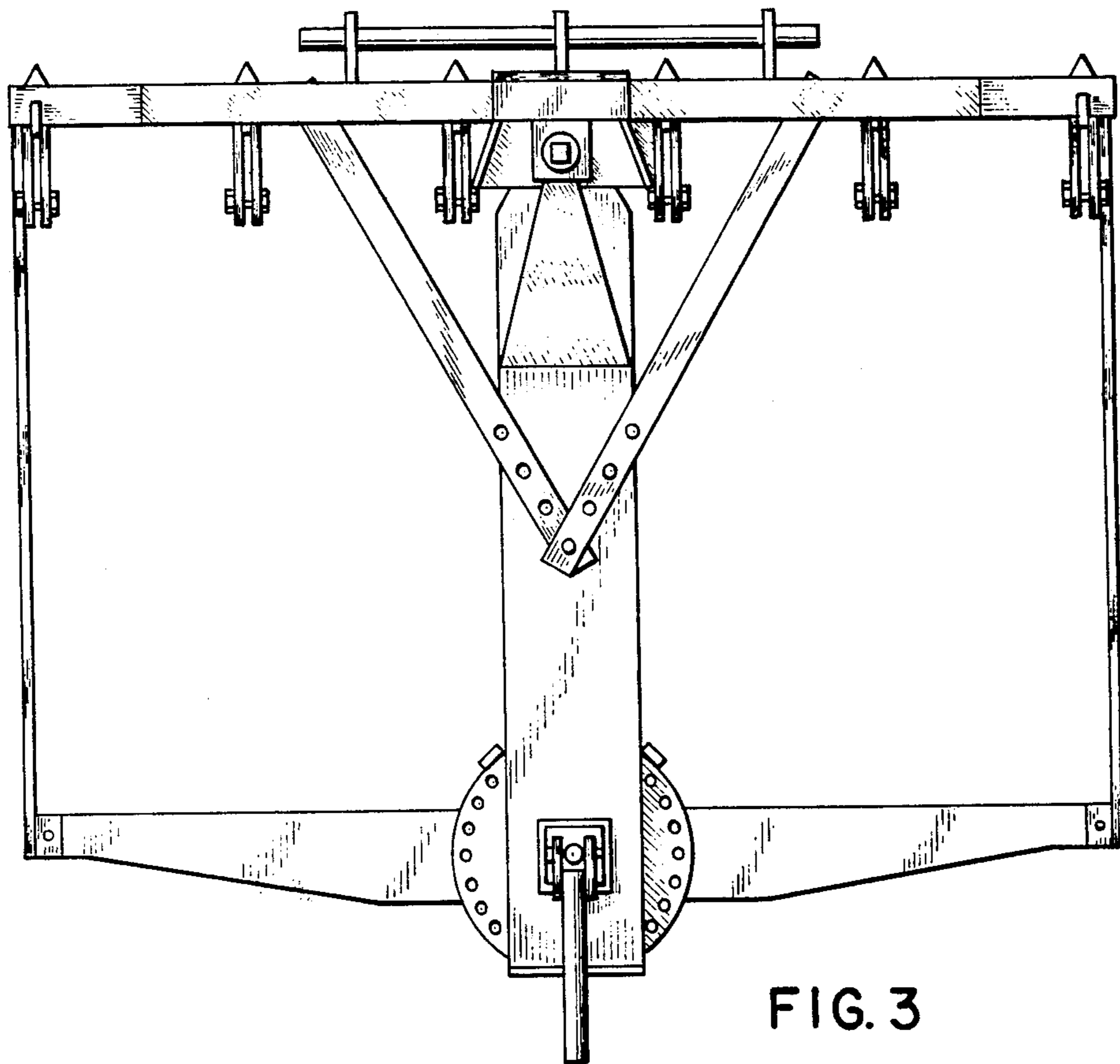


FIG. 3

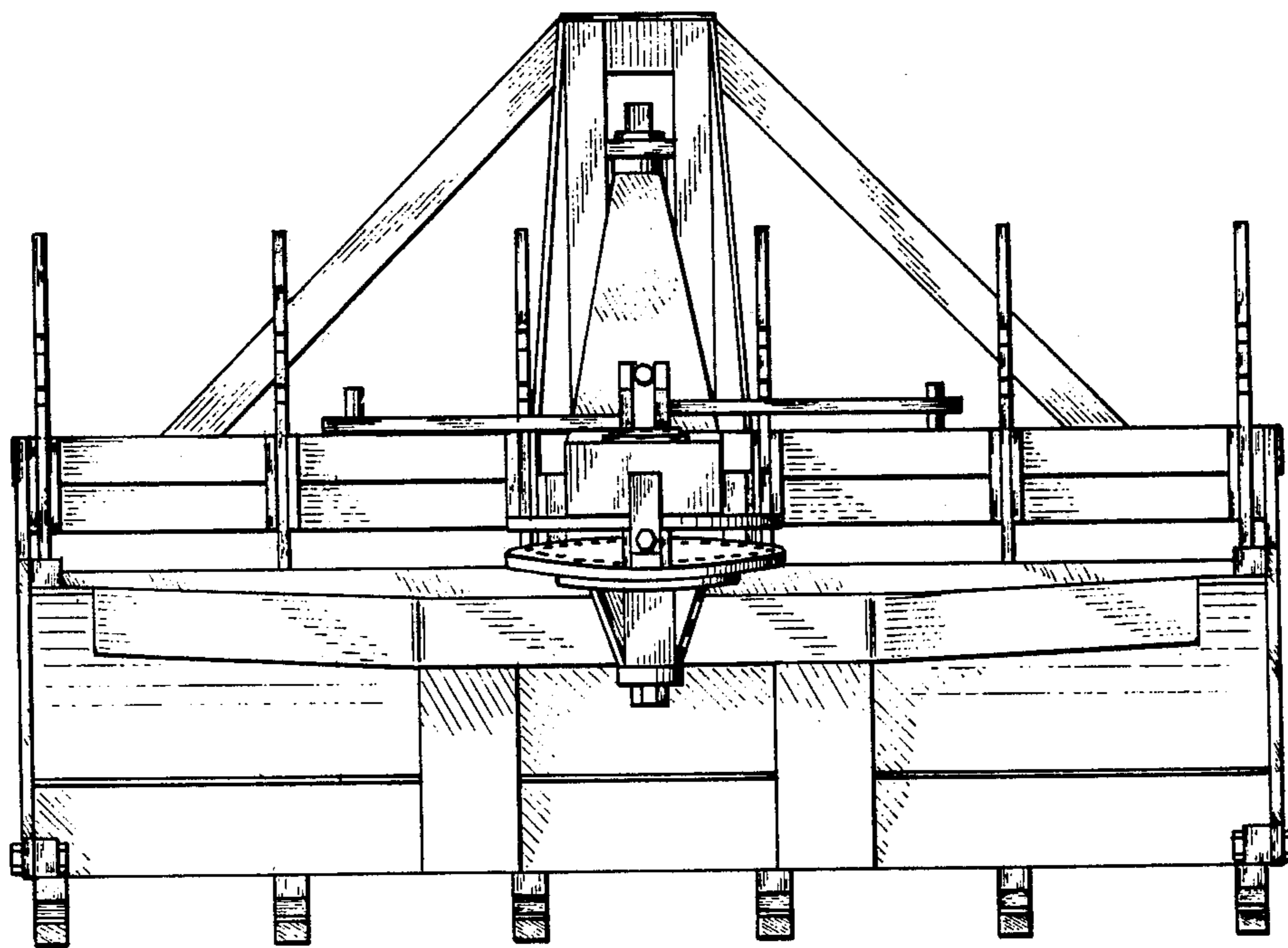


FIG. 2

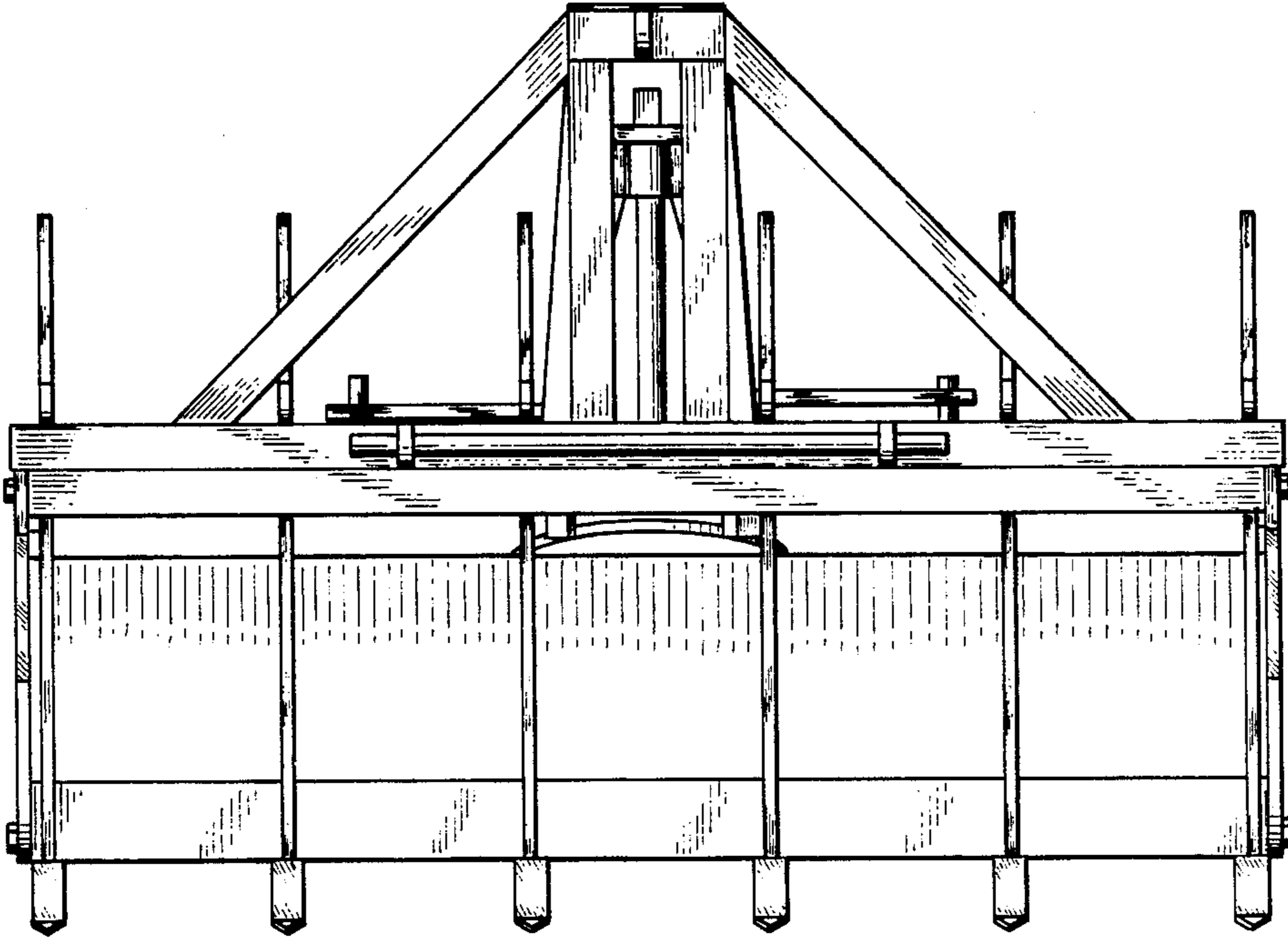


FIG. 5