

[54] **WEIGHT APPLYING MACHINE FOR INSTALLING A VENEER FLOOR SURFACE**

[75] Inventors: **Frank K. Wyckoff**, Des Moines;
Roger C. Silver, West Des Moines,
both of Iowa

[73] Assignee: **Atlas Products, Inc.**, Des Moines,
Iowa

[**] Term: **14 Years**

[21] Appl. No.: **943,172**

[22] Filed: **Sep. 18, 1978**

[51] Int. Cl. **D15-04**

[52] U.S. Cl. **D15/20**

[58] Field of Search **D15/20; 404/132, 131,**
404/126, 123, 122

[56]

References Cited

U.S. PATENT DOCUMENTS

D. 231,481	4/1974	Carnahan	D15/20
1,894,548	1/1933	Whitney	404/131
2,433,246	12/1947	Stelzer	404/132

Primary Examiner—James M. Gandy
Attorney, Agent, or Firm—Rudolph L. Lowell; G. Brian
Pingel

[57]

CLAIM

The ornamental design for a weight applying machine for installing a veneer floor surface, substantially as shown.

DESCRIPTION

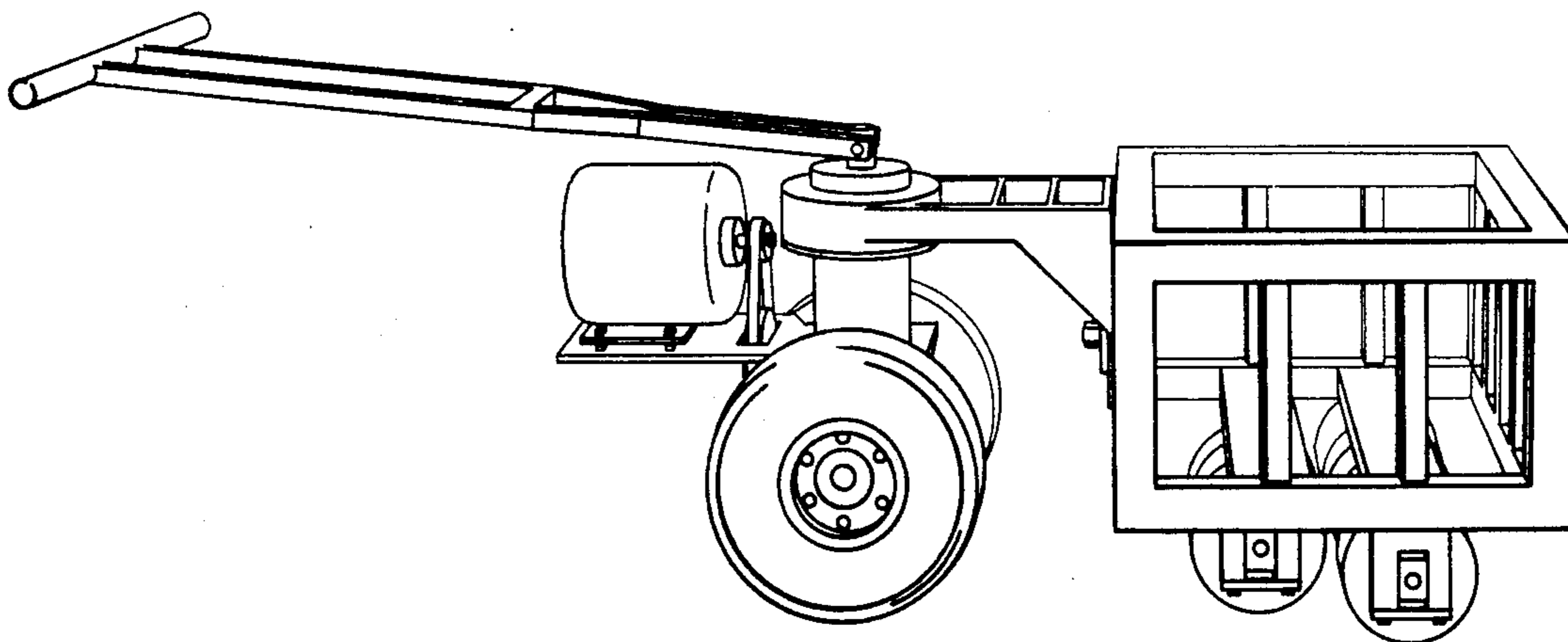
FIG. 1 is a side elevational view of a weight applying machine for installing a veneer floor surface showing our new design.

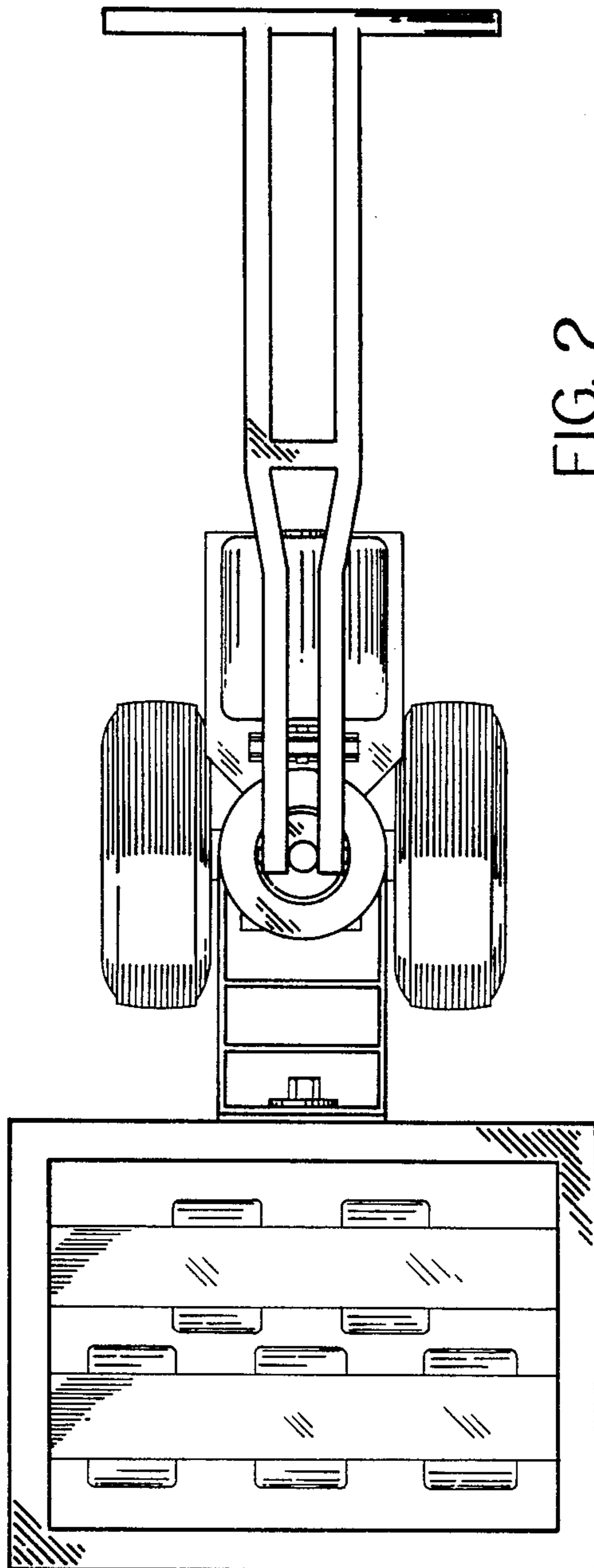
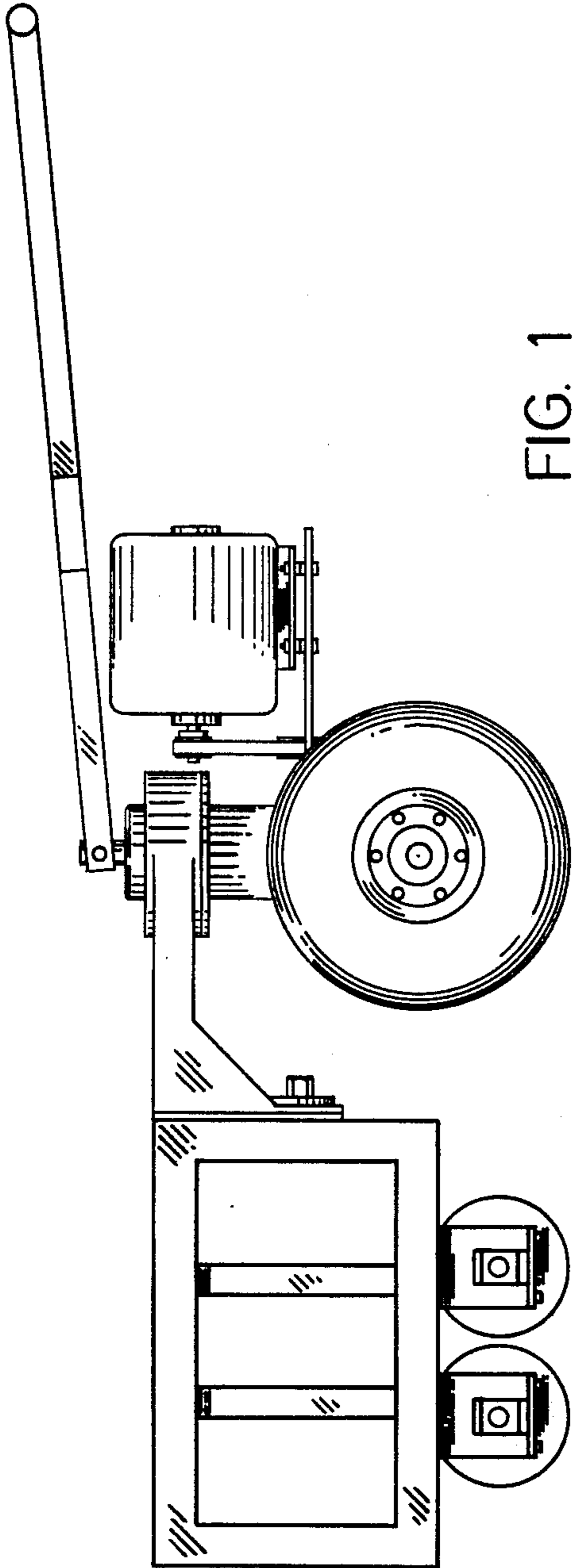
FIG. 2 is a top plan view thereof.

FIG. 3 is a rear elevational view thereof.

FIG. 4 is a front elevational view thereof.

FIG. 5 is a side perspective view thereof opposite from the side view shown in FIG. 1.





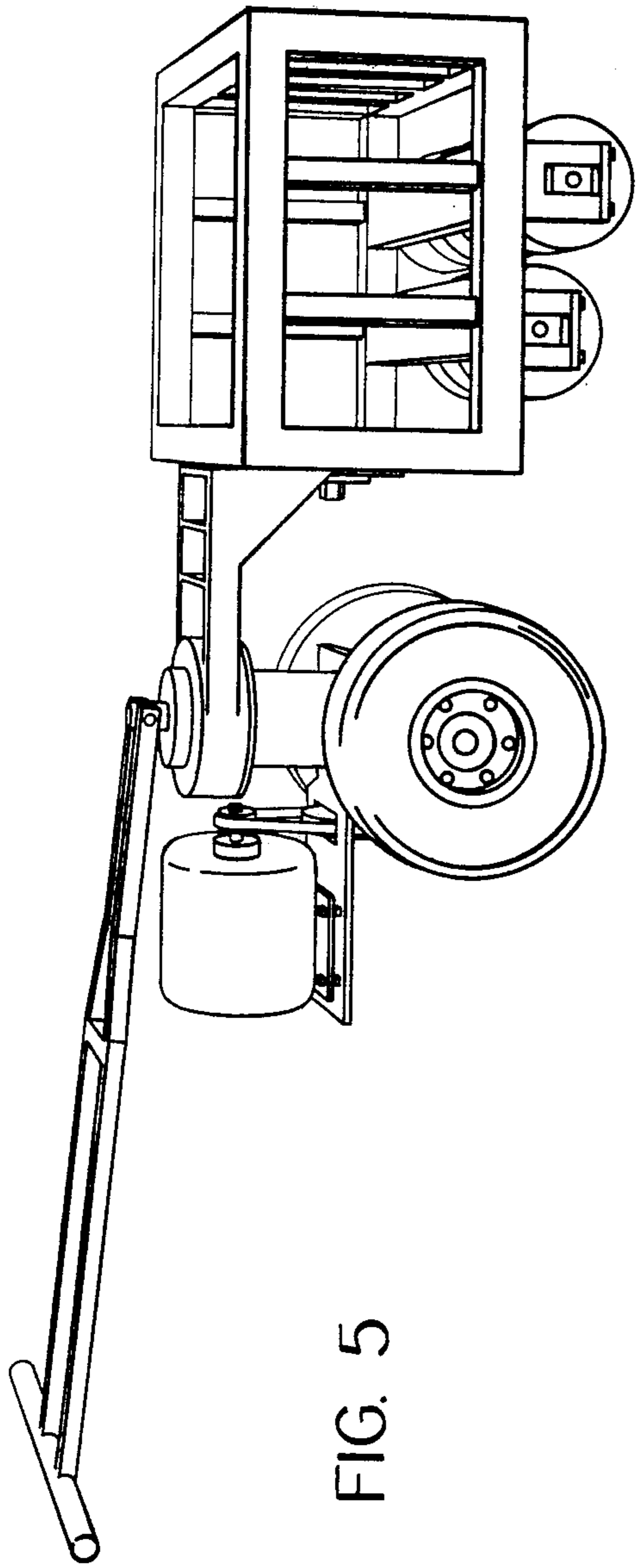


FIG. 5

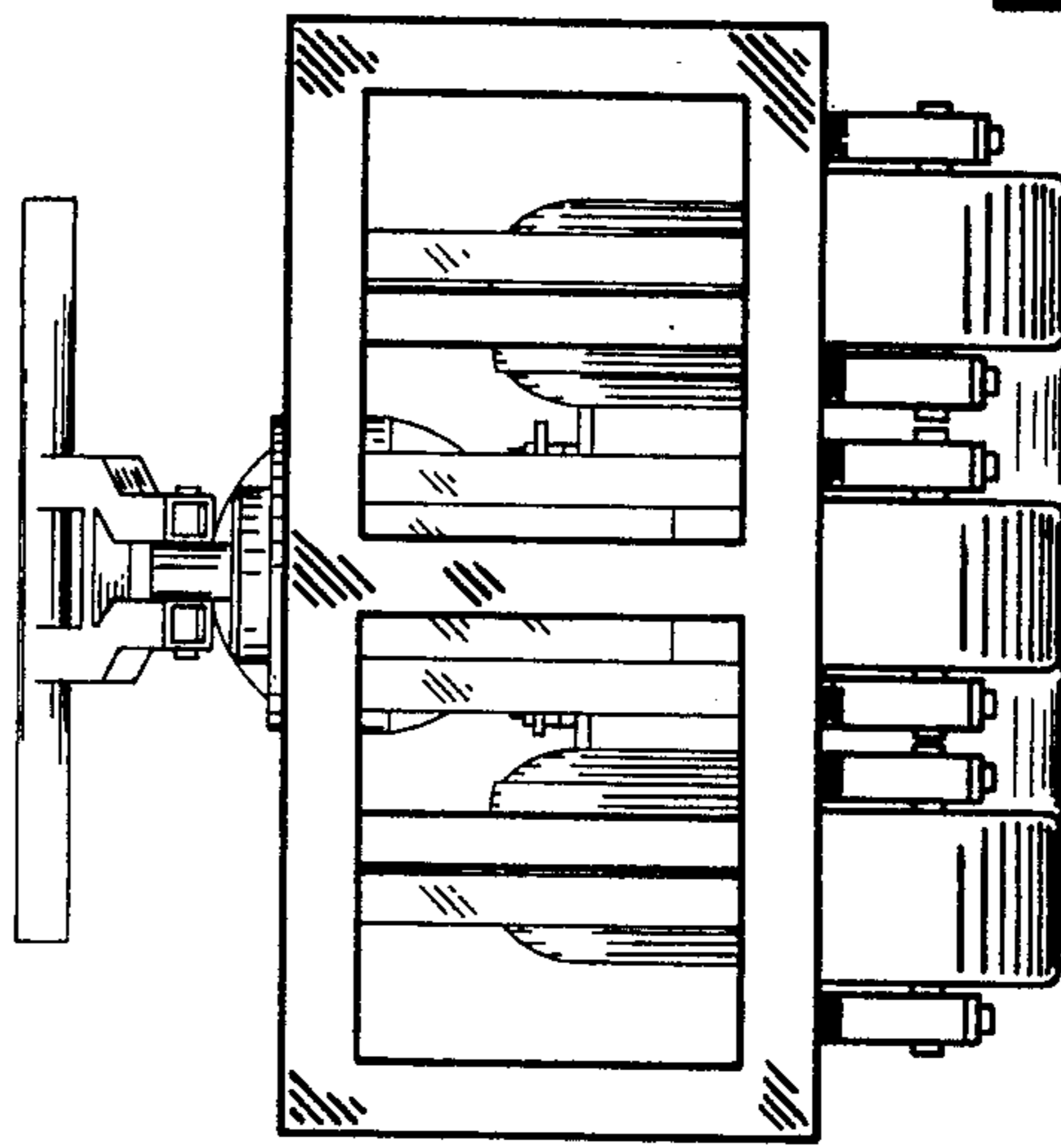


FIG. 3

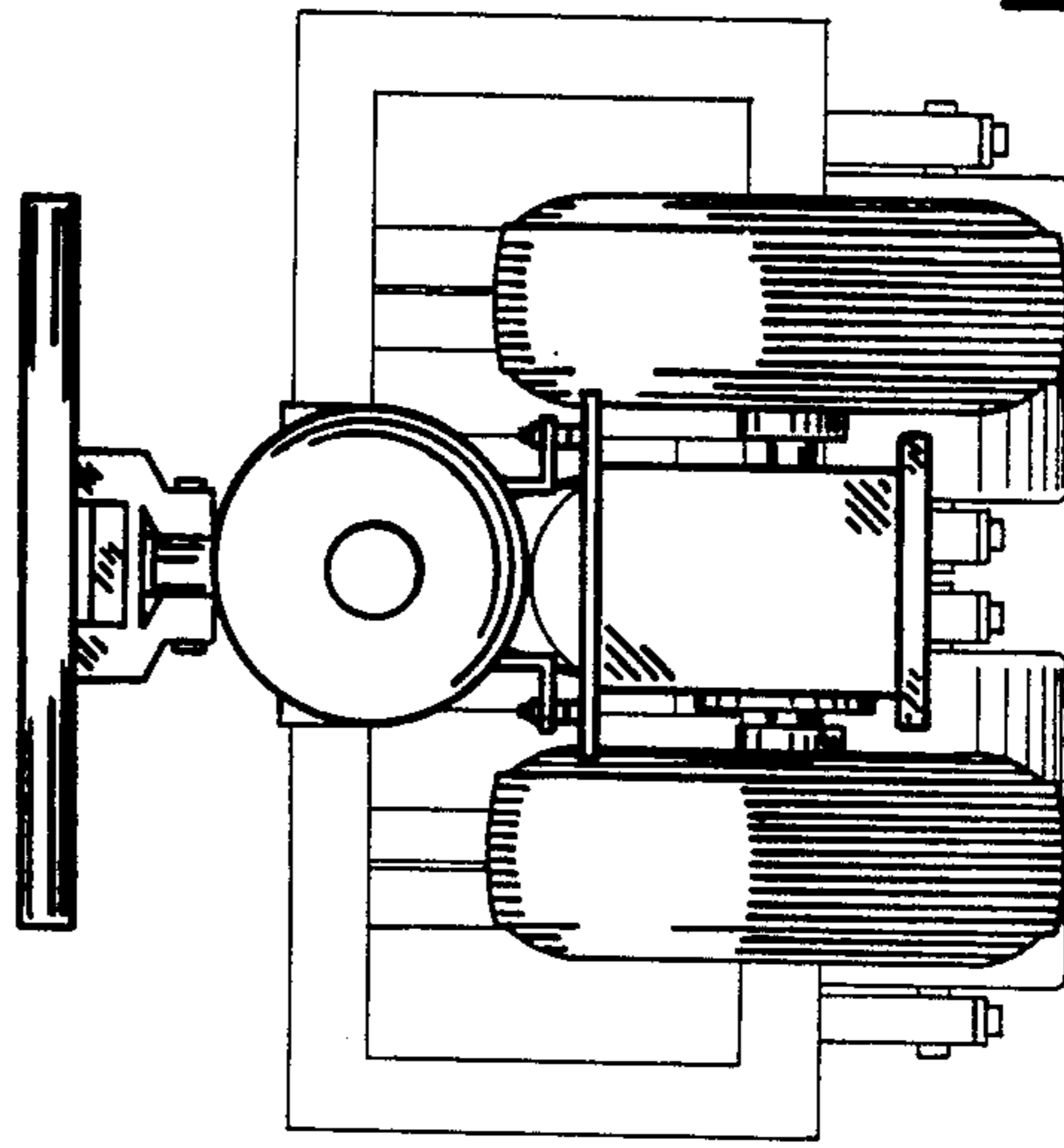


FIG. 4