

[54] **IMPELLER FOR CENTRIFUGAL PUMPS OR SIMILAR ARTICLE**

[76] Inventor: **Eiichi Sugiura**, 149, Matsumotocho, Hekinan-shi, Aichi-ken, Japan

[**] Term: **14 Years**

[21] Appl. No.: **889,120**

[22] Filed: **Mar. 22, 1978**

[51] Int. Cl. **D15-02**

[52] U.S. Cl. **D15/7**

[58] Field of Search **D15/7, 8, 9; 416/184, 416/185**

[56] **References Cited**

U.S. PATENT DOCUMENTS

D. 27,078	5/1897	Cahill et al.	D15/9
D. 28,217	1/1898	Enyant	D15/7
1,131,294	3/1915	Traylor	416/185
2,165,808	7/1939	Murphy	416/185
2,465,671	3/1949	Van Millingen et al.	D15/7 X

2,869,774	1/1959	Smith et al.	416/185
3,021,049	2/1962	Settle	416/185
3,149,823	9/1964	Entrikin	416/184 X
3,953,150	4/1976	Onal	416/184
4,093,401	6/1978	Gravelle	416/185
4,167,369	9/1979	Ishihara	416/185

Primary Examiner—James R. Largen
Attorney, Agent, or Firm—Robert E. Burns

[57] **CLAIM**

The ornamental design for an impeller for centrifugal pumps or similar article, as shown and described.

DESCRIPTION

FIG. 1 is a perspective view of an impeller for centrifugal pumps or similar article showing my new design; FIG. 2 is a front view thereof; FIG. 3 is a top plan view thereof; FIG. 4 is a rear view thereof; FIG. 5 is a left side view thereof; FIG. 6 is a right side view thereof; and FIG. 7 is a bottom plan view thereof.

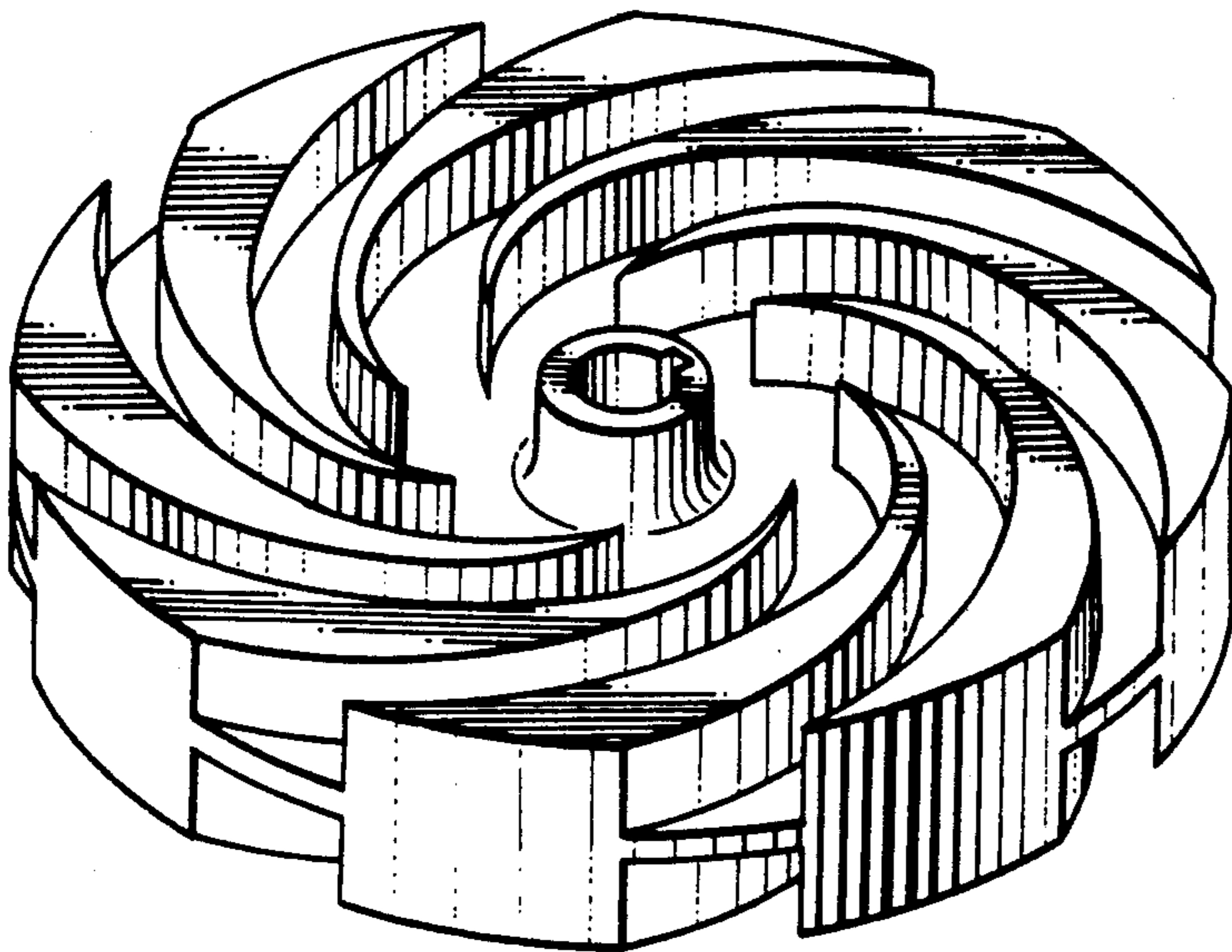


FIG. 1

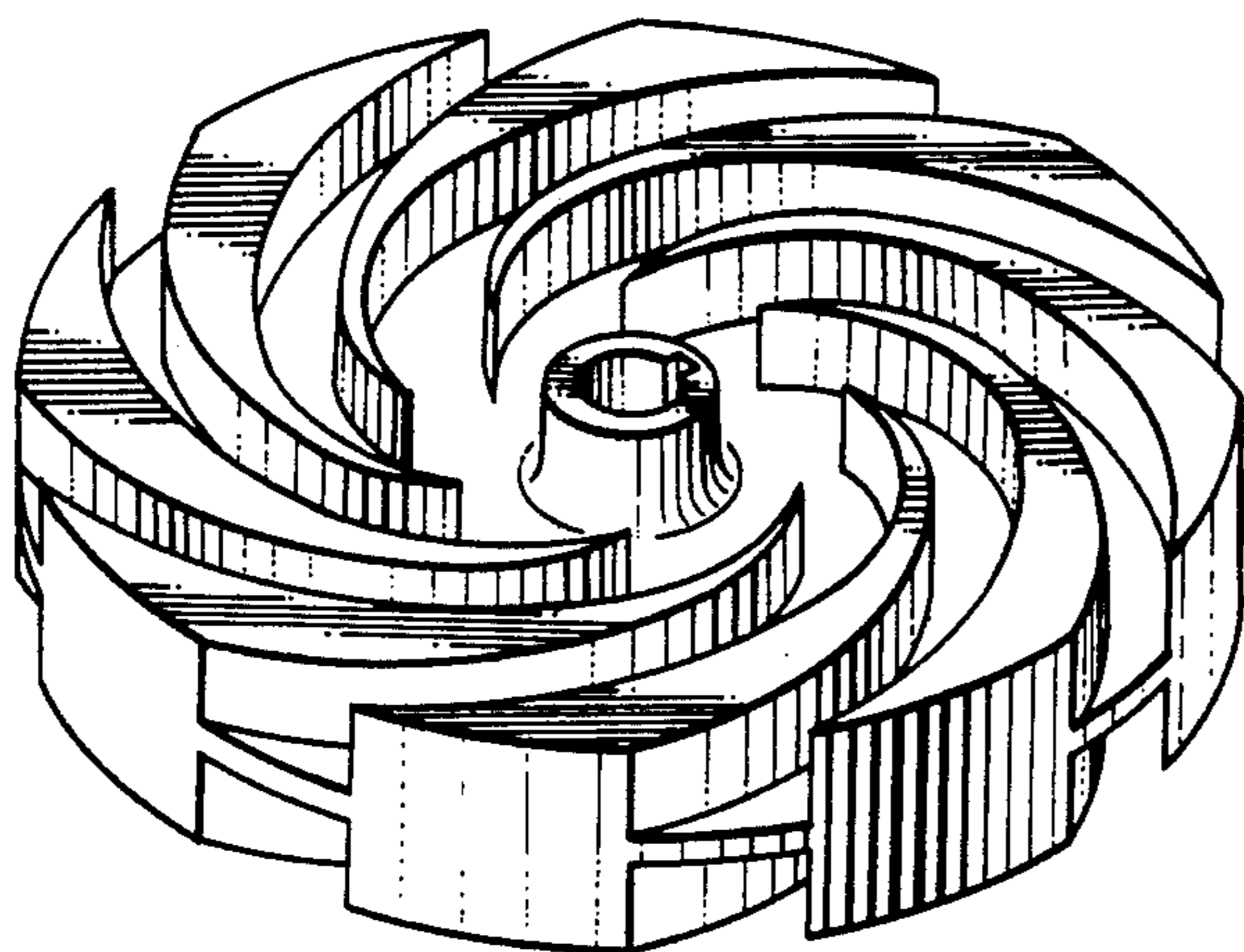


FIG. 2

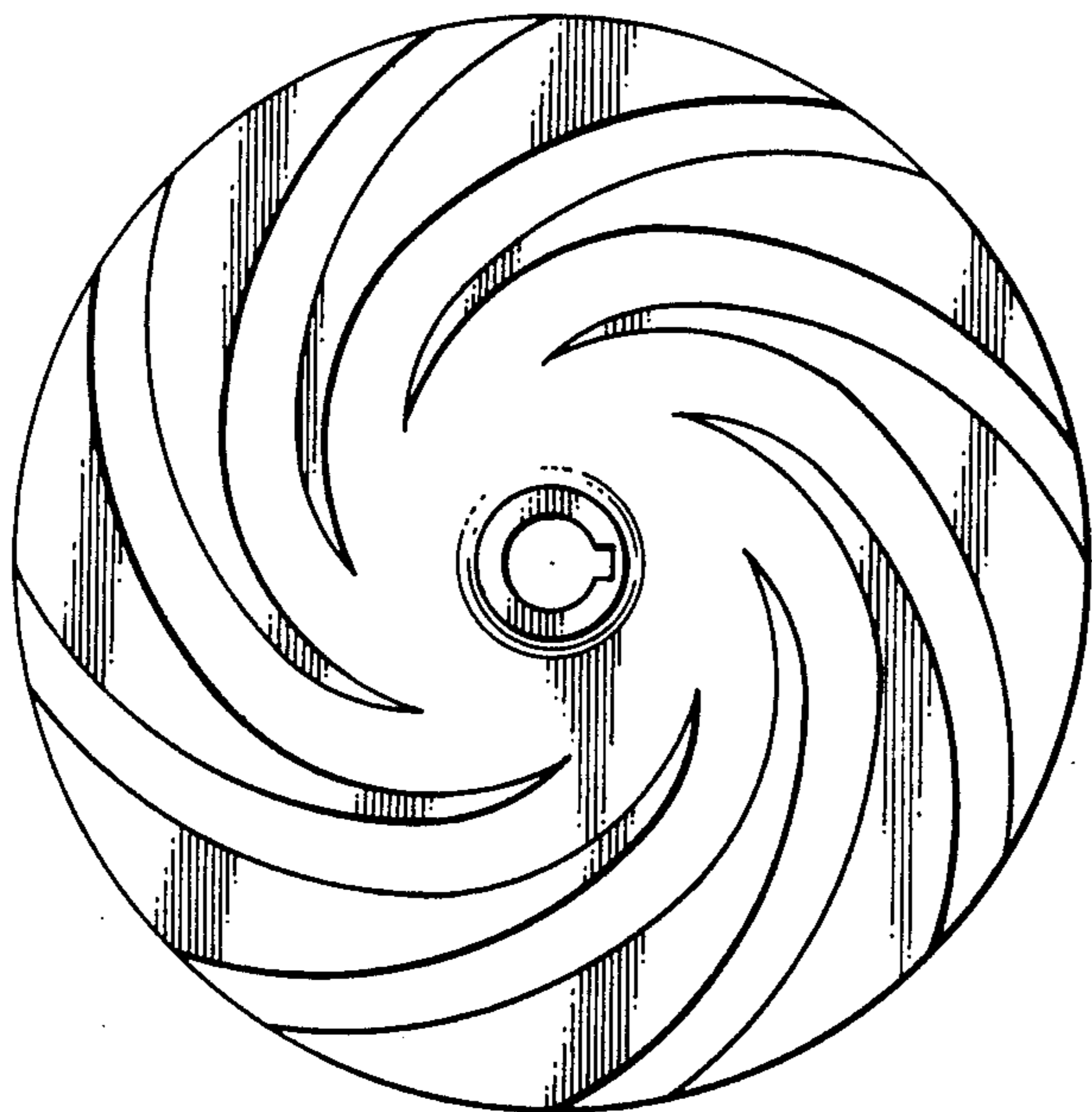


FIG. 3

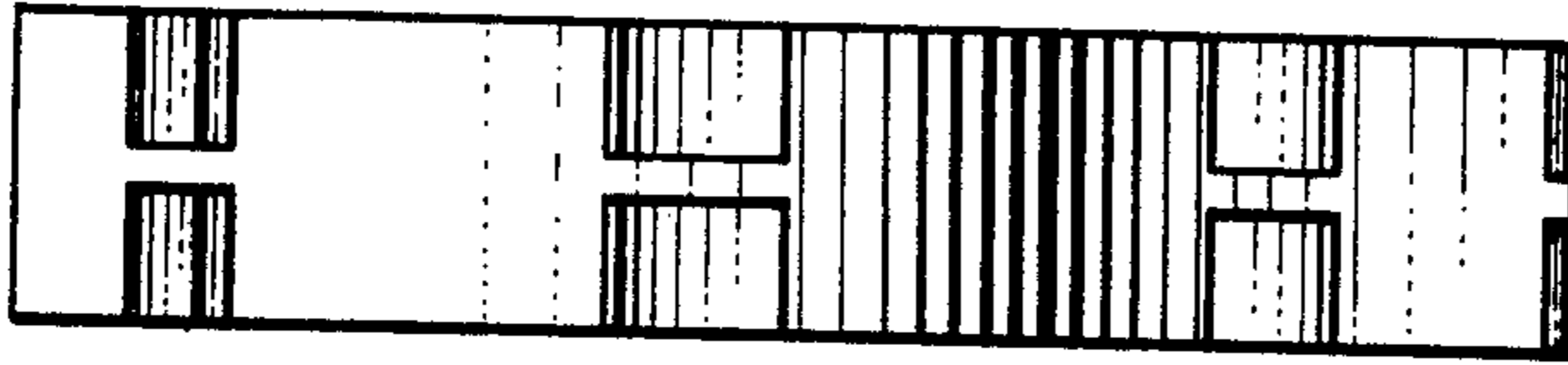


FIG. 4

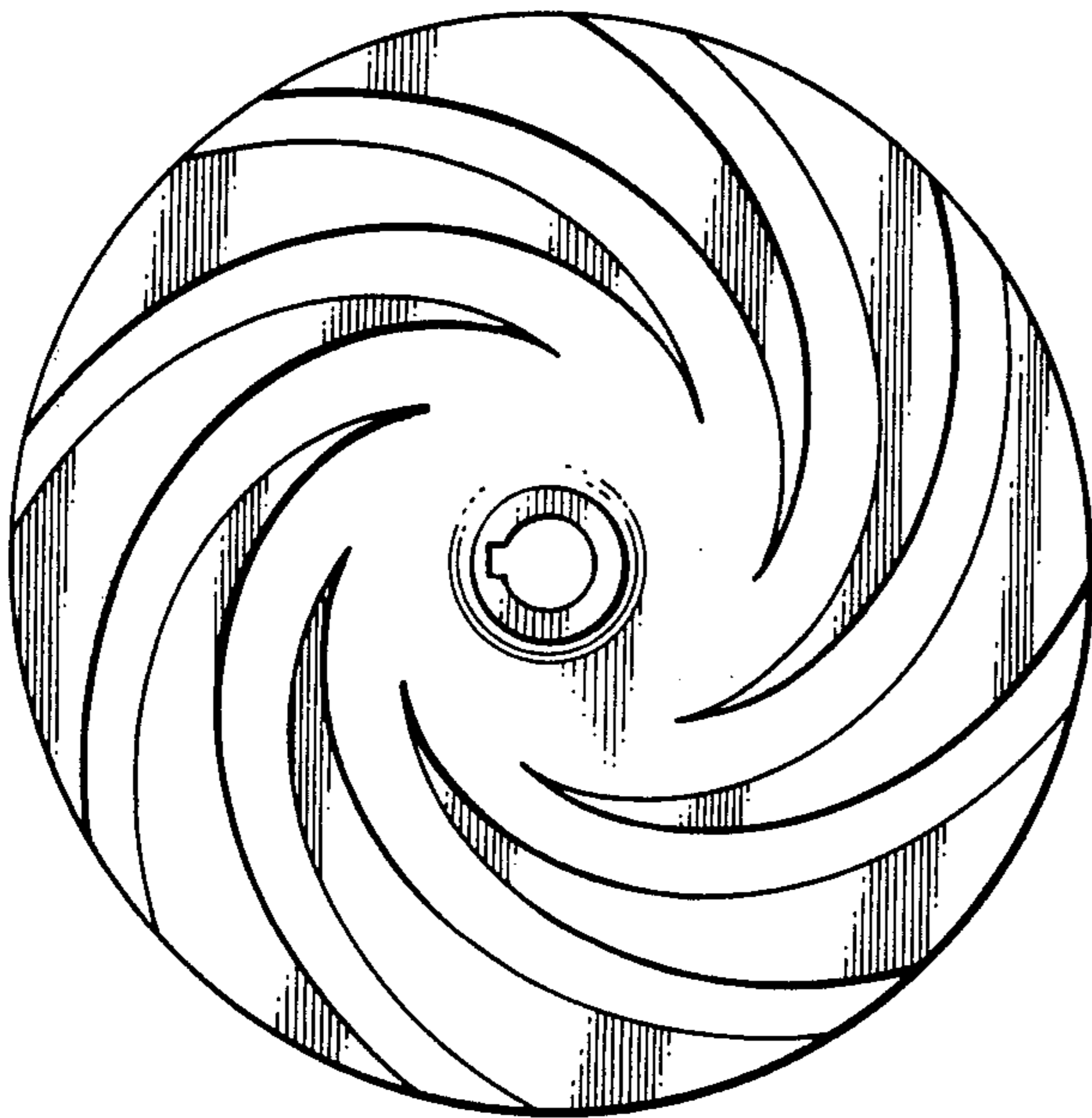


FIG. 5

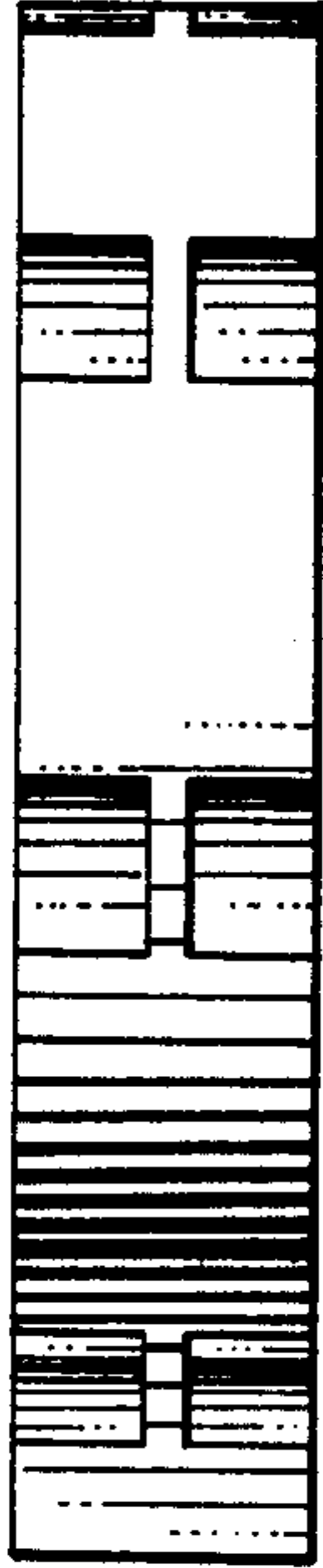


FIG. 6

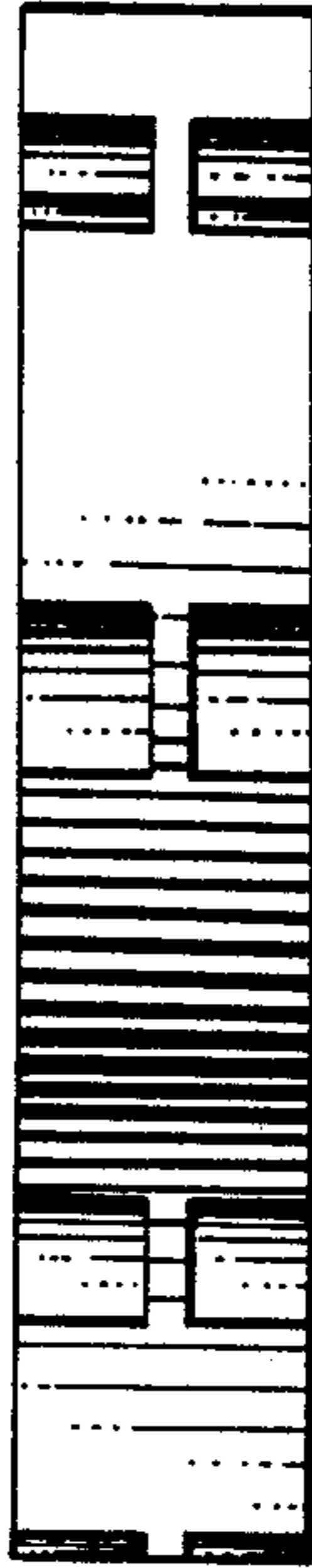


FIG. 7

