

[54] **IMPELLER FOR CENTRIFUGAL PUMPS OR SIMILAR ARTICLE**

| | | | |
|-----------|--------|-------------------|-----------|
| 2,869,774 | 1/1959 | Smith et al. | 416/185 |
| 3,021,049 | 2/1962 | Settle | 416/185 |
| 3,149,823 | 9/1964 | Entrikin | 416/184 X |
| 3,953,150 | 4/1976 | Onal | 416/184 |
| 4,093,401 | 6/1978 | Gravelle | 416/185 |
| 4,167,369 | 9/1979 | Ishihara | 416/185 |

[76] Inventor: **Eiichi Sugiura**, 149, Matsumotocho, Hekinan-shi, Aichi-ken, Japan

[**] Term: **14 Years**

[21] Appl. No.: **889,057**

[22] Filed: **Mar. 22, 1978**

[51] Int. Cl. **D15-02**

[52] U.S. Cl. **D15/7**

[58] Field of Search **D15/7, 8, 9; 416/184, 416/185**

Primary Examiner—James R. Largen
Attorney, Agent, or Firm—Robert E. Burns

[57] **CLAIM**

The ornamental design for an impeller for centrifugal pumps or similar article, as shown and described.

DESCRIPTION

FIG. 1 is a perspective view of an impeller for centrifugal pumps or similar article showing my new design; FIG. 2 is a front view thereof; FIG. 3 is a top plan view thereof; FIG. 4 is a rear view thereof; FIG. 5 is a left side view thereof; FIG. 6 is a right side view thereof; and FIG. 7 is a bottom plan view thereof.

[56] **References Cited**

U.S. PATENT DOCUMENTS

| | | | |
|-----------|--------|---------------------------|---------|
| D. 27,078 | 5/1897 | Cahill et al. | D15/9 |
| D. 28,217 | 1/1898 | Engart | D15/7 |
| 1,131,294 | 3/1915 | Traylor | 416/185 |
| 2,165,808 | 7/1939 | Murphy | 416/185 |
| 2,465,671 | 3/1949 | Van Millingen et al. | D15/7 X |

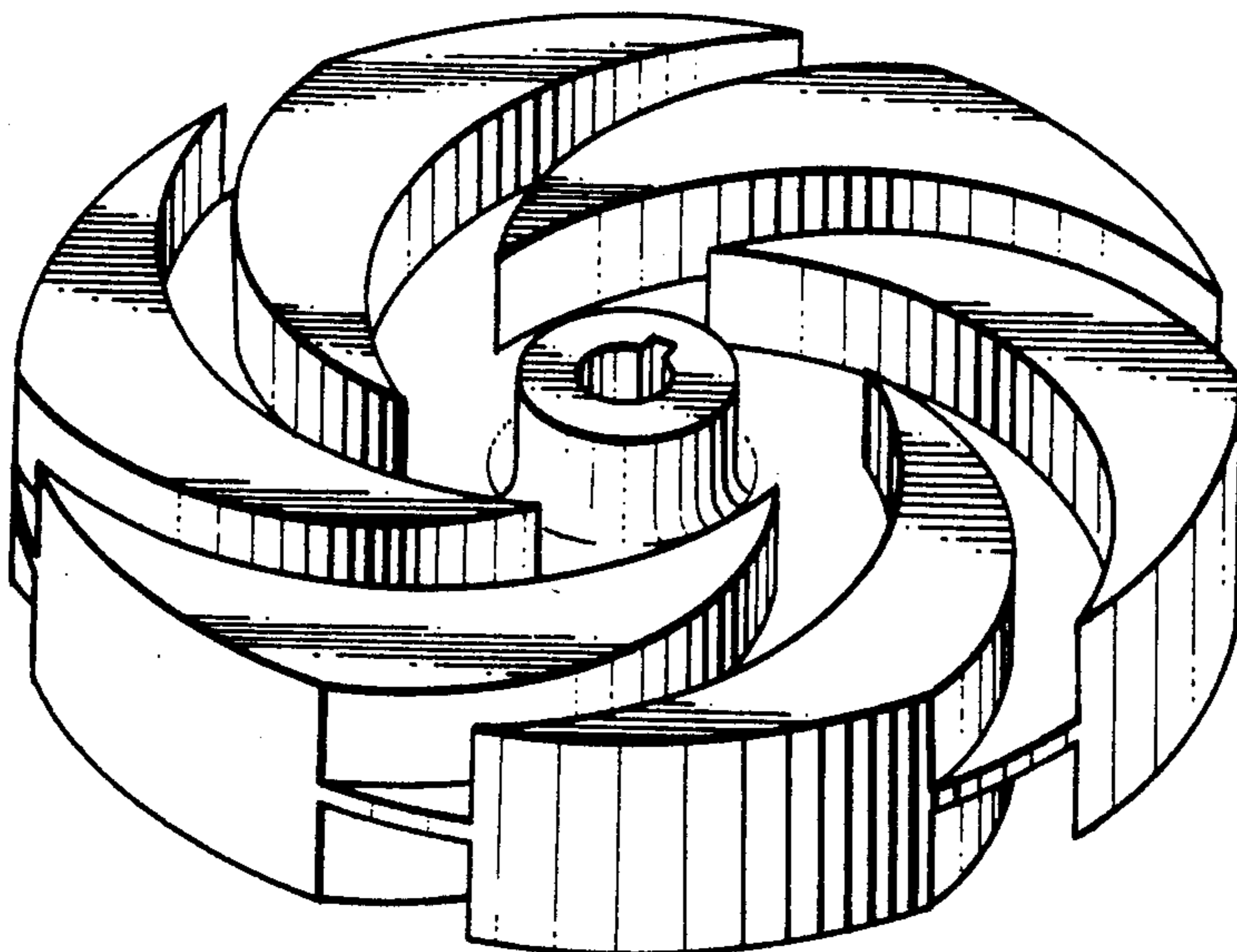


FIG. 1

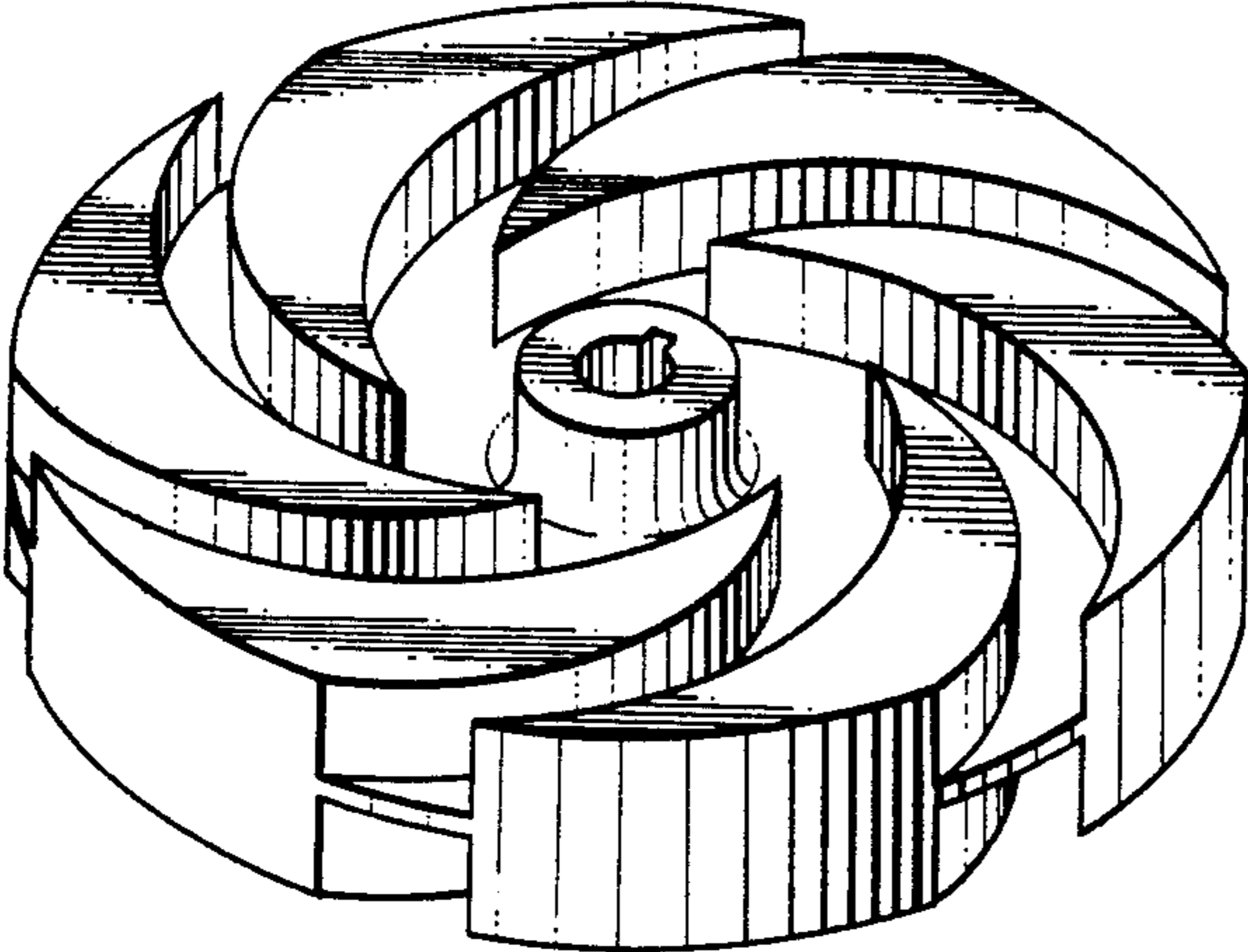


FIG. 2

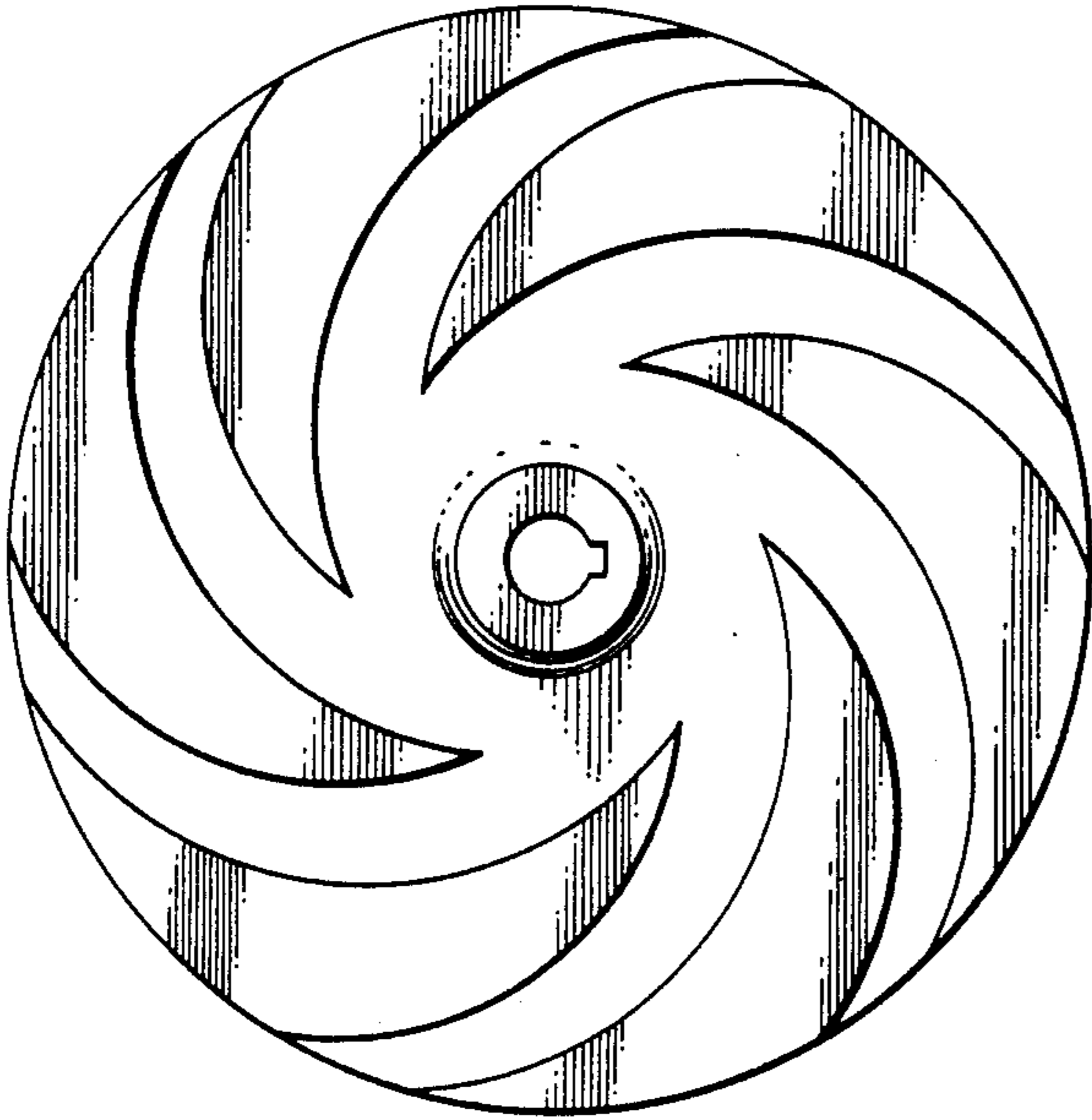


FIG. 3



FIG. 4

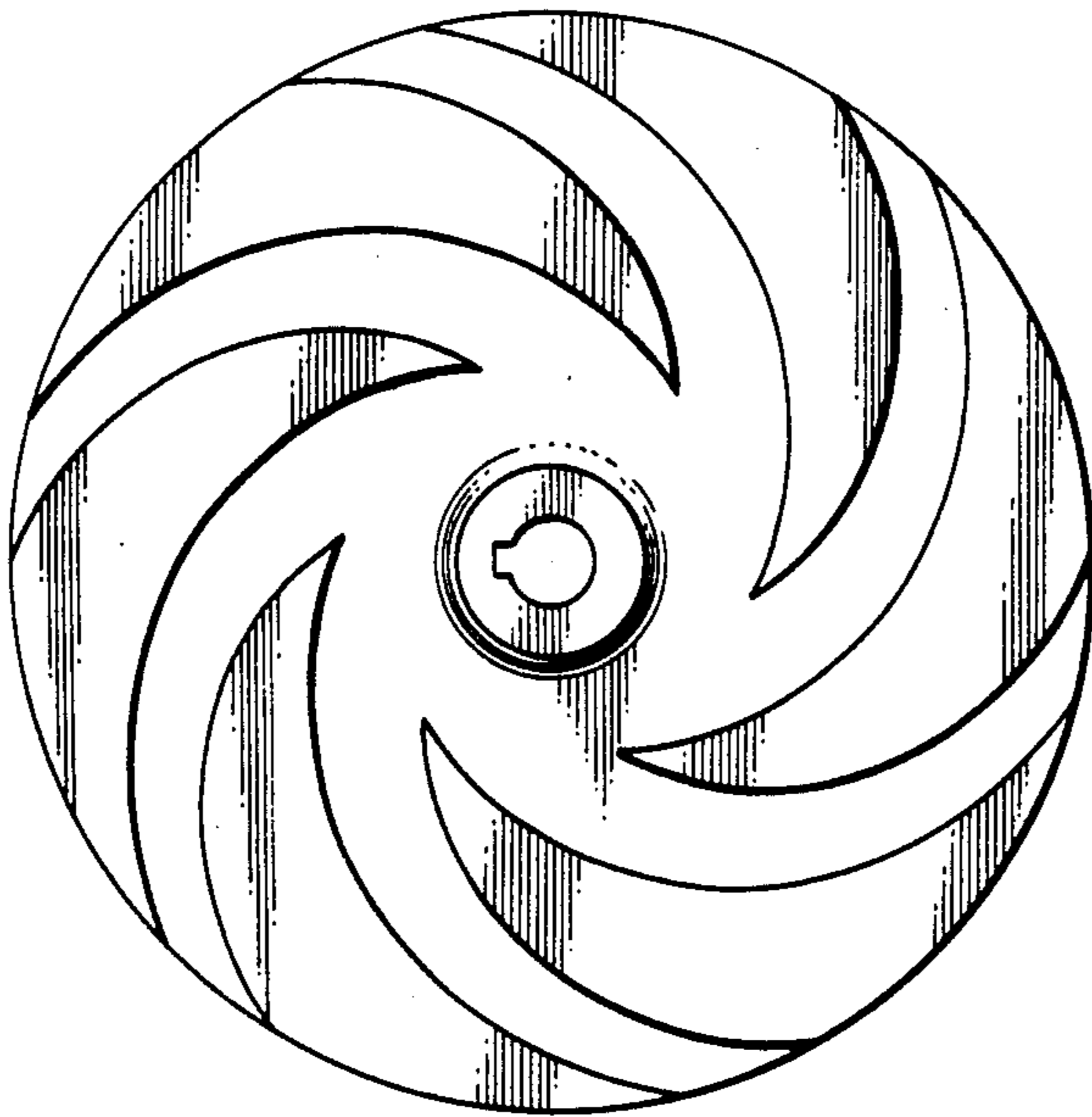


FIG. 5

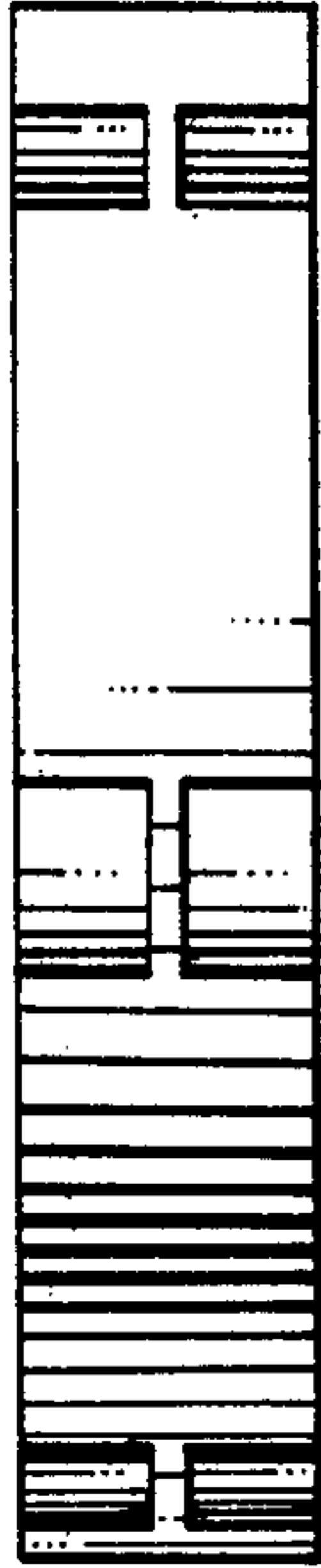


FIG. 6

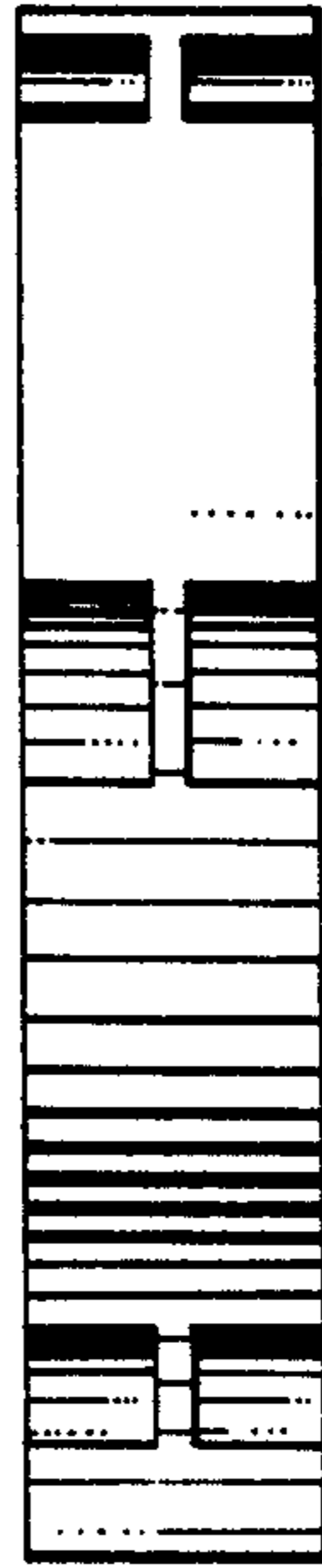


FIG. 7

