

[54] PHONOGRAPH STYLUS

[75] Inventors: Joseph D. Kehl, Chicago; Robert L. Deschamps, Wheaton, both of Ill.

[73] Assignee: Shure Brothers, Inc., Evanston, Ill.

[\*\*] Term: 14 Years

[21] Appl. No.: 929,552

[22] Filed: Jul. 31, 1978

[51] Int. Cl. .... 14-01; 14-99

[52] U.S. Cl. .... D14/29

[58] Field of Search ..... D14/29, 27, 28; 274/37, 274/38; 179/100.41 M, 100.41 K

[56] References Cited

U.S. PATENT DOCUMENTS

D. 222,479	10/1971	Litcher .....	D14/29
D. 235,070	5/1975	Deschamps et al. ....	D14/29
D. 235,071	6/1975	Deschamps .....	D14/29
D. 235,352	6/1975	Deschamps .....	D14/29

D. 252,628	8/1975	Wellwood et al. ....	D14/29
3,964,751	3/1977	Vitale .....	274/37
4,009,885	3/1977	Pritchard .....	274/37

Primary Examiner—Bernard Ansher  
Attorney, Agent, or Firm—George B. Newitt

[57] CLAIM

The ornamental design for a phonograph stylus, as shown and described.

DESCRIPTION

FIG. 1 is a top perspective view of a phonograph stylus showing my new design;

FIG. 2 is a bottom perspective view of a phonograph stylus;

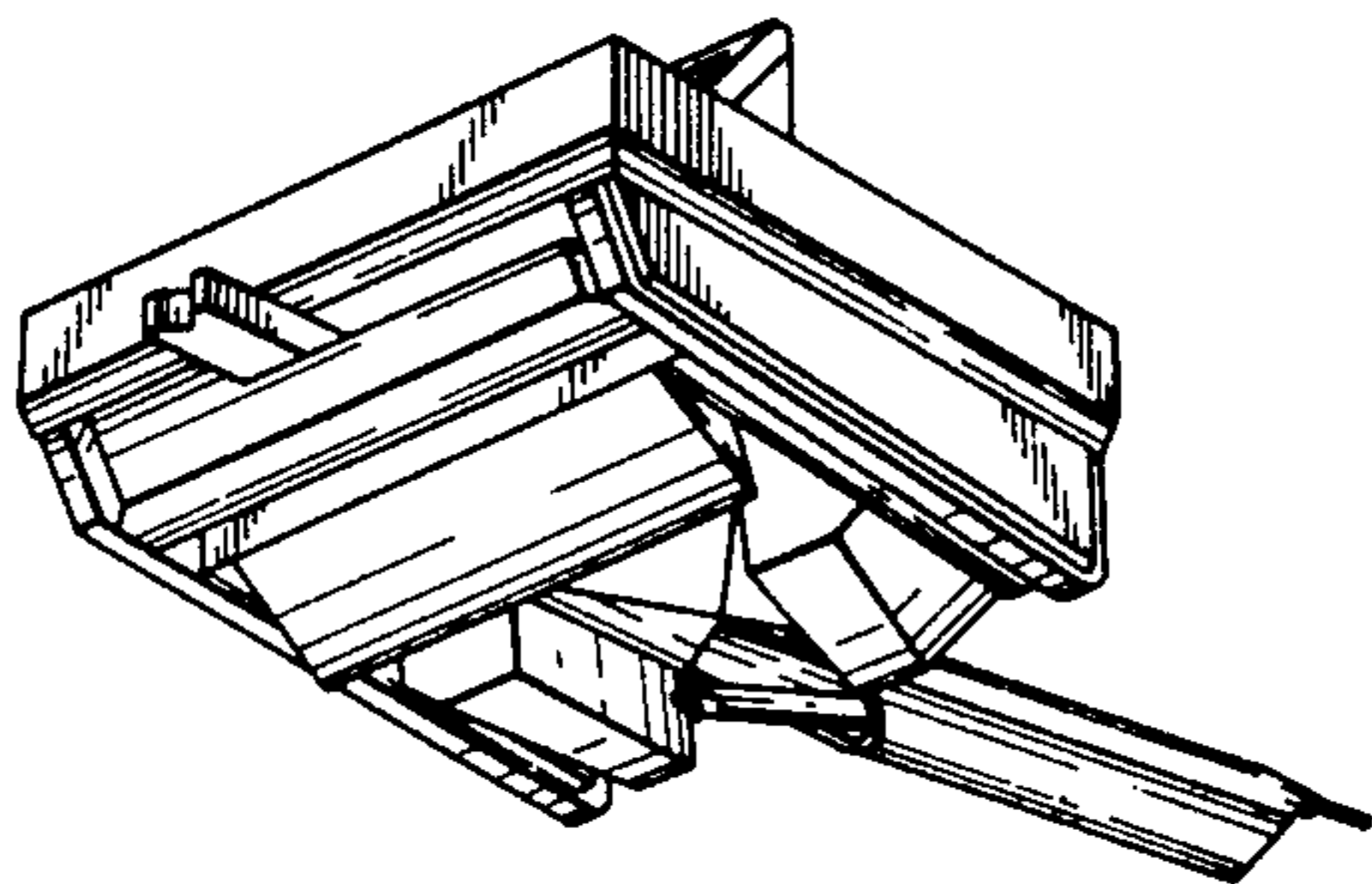
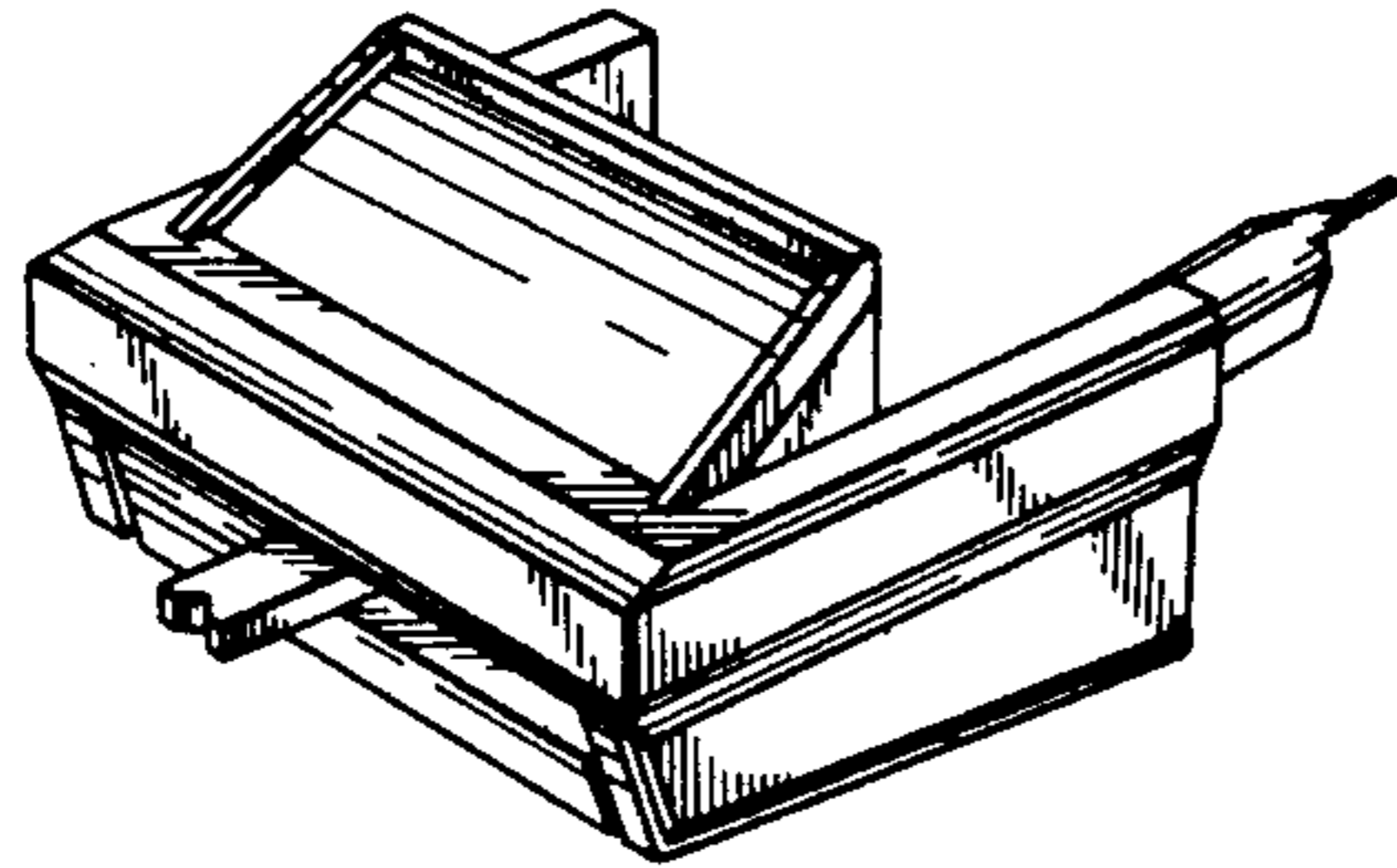
FIG. 3 one side view thereof, the other side being substantially identical;

FIG. 4 is a top plan view thereof;

FIG. 5 is a bottom plan view thereof;

FIG. 6 is a front view thereof;

FIG. 7 is a rear view thereof.



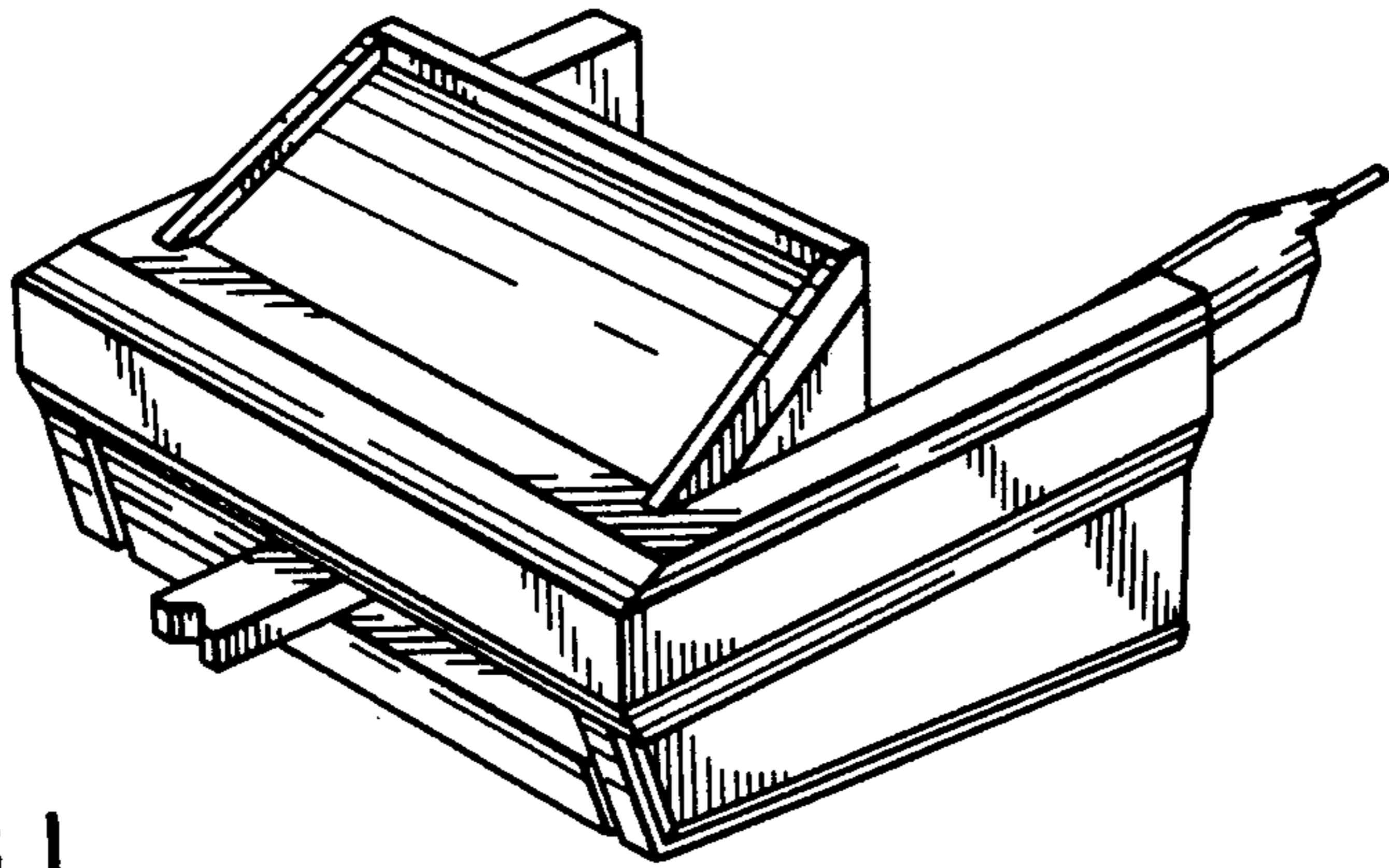


FIG. 1

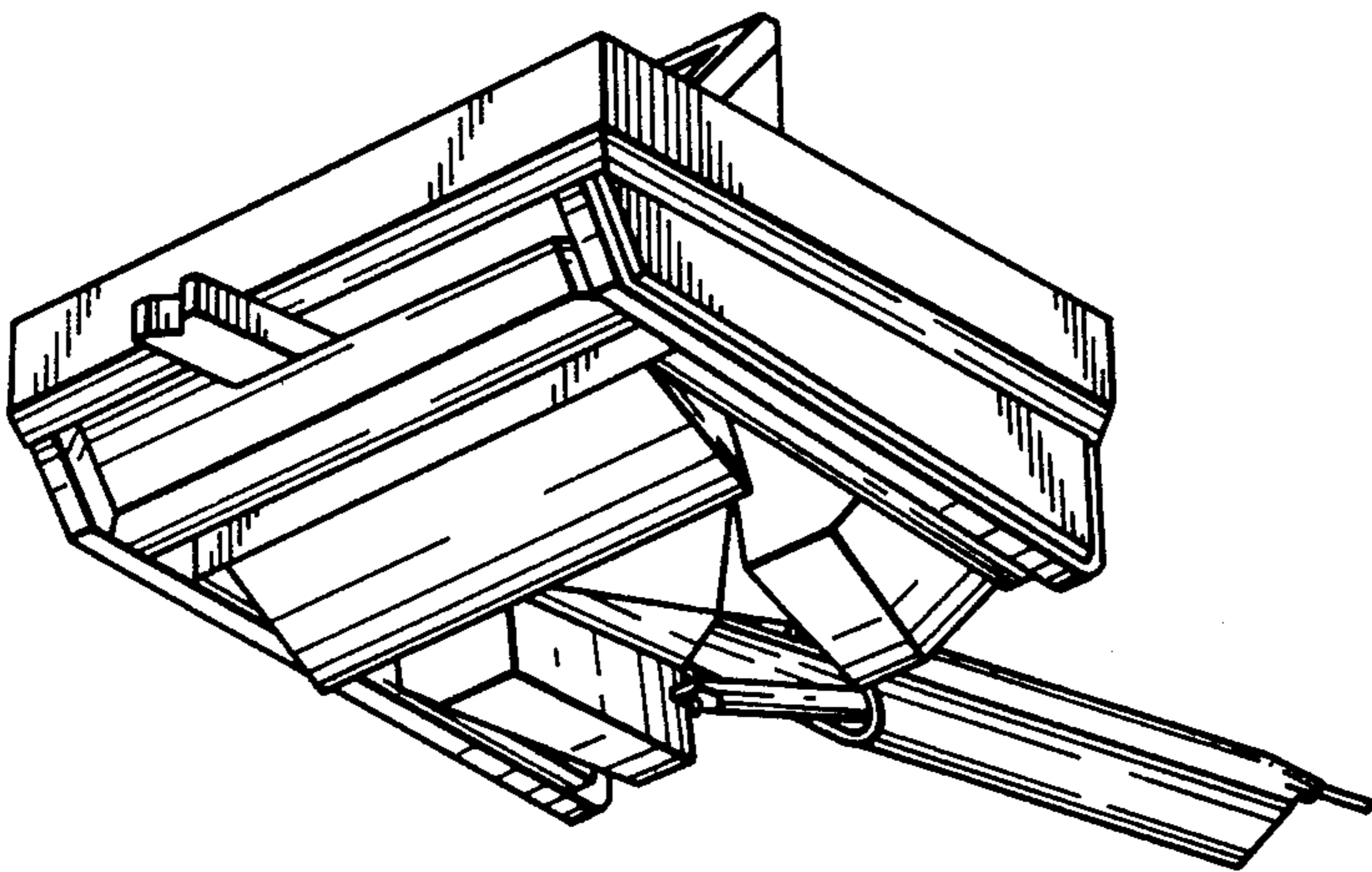


FIG. 2

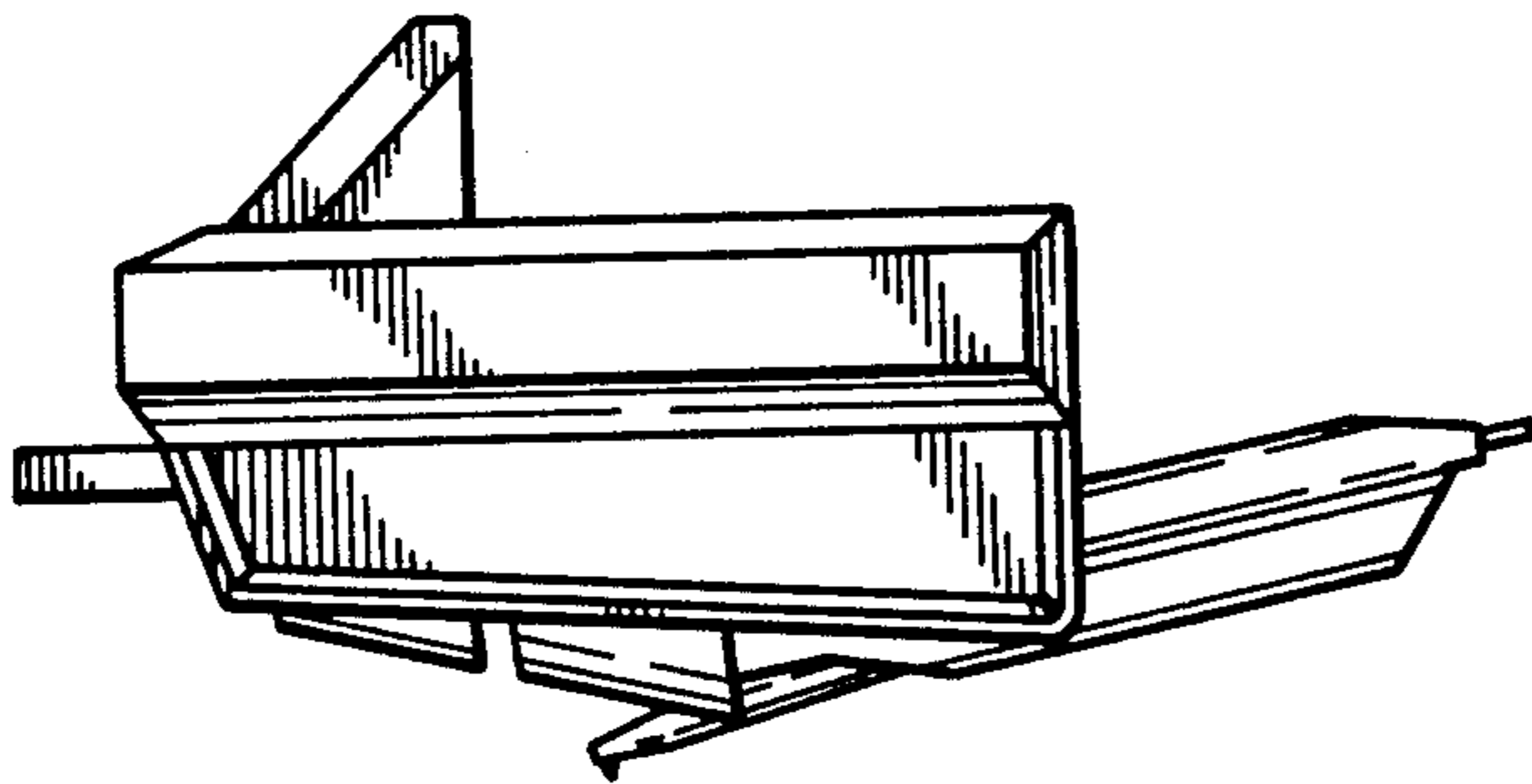


FIG. 3

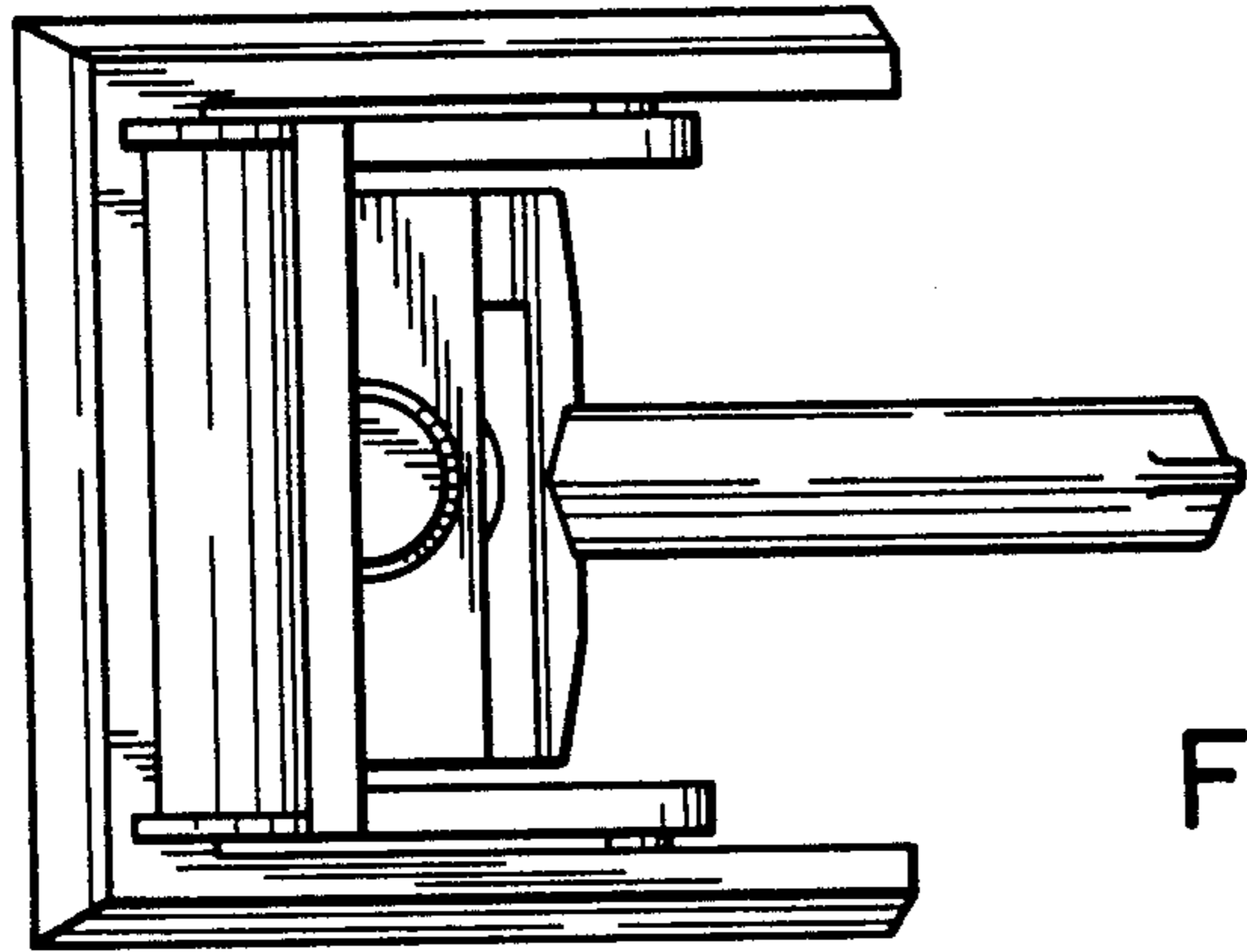


FIG. 4

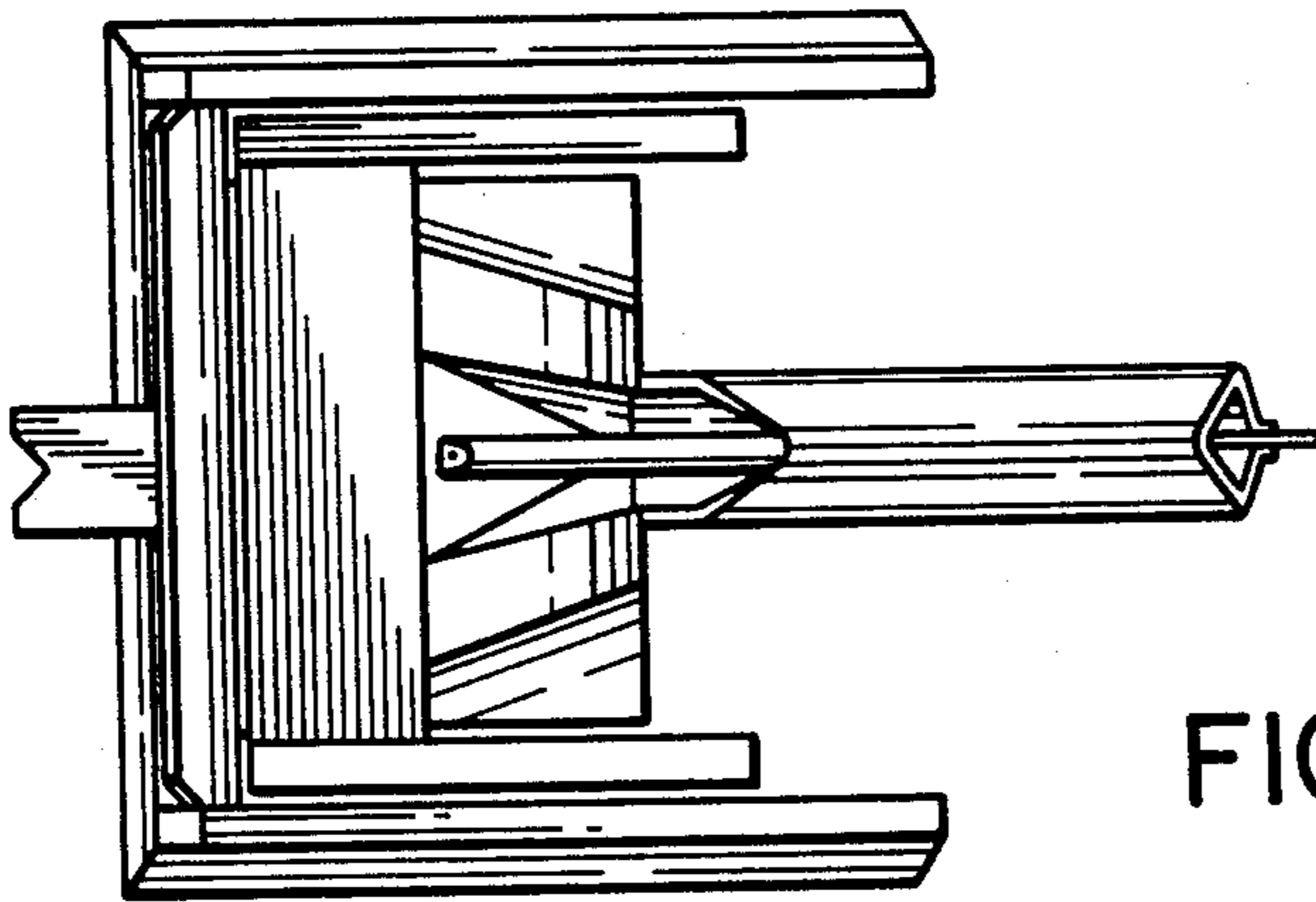


FIG. 5

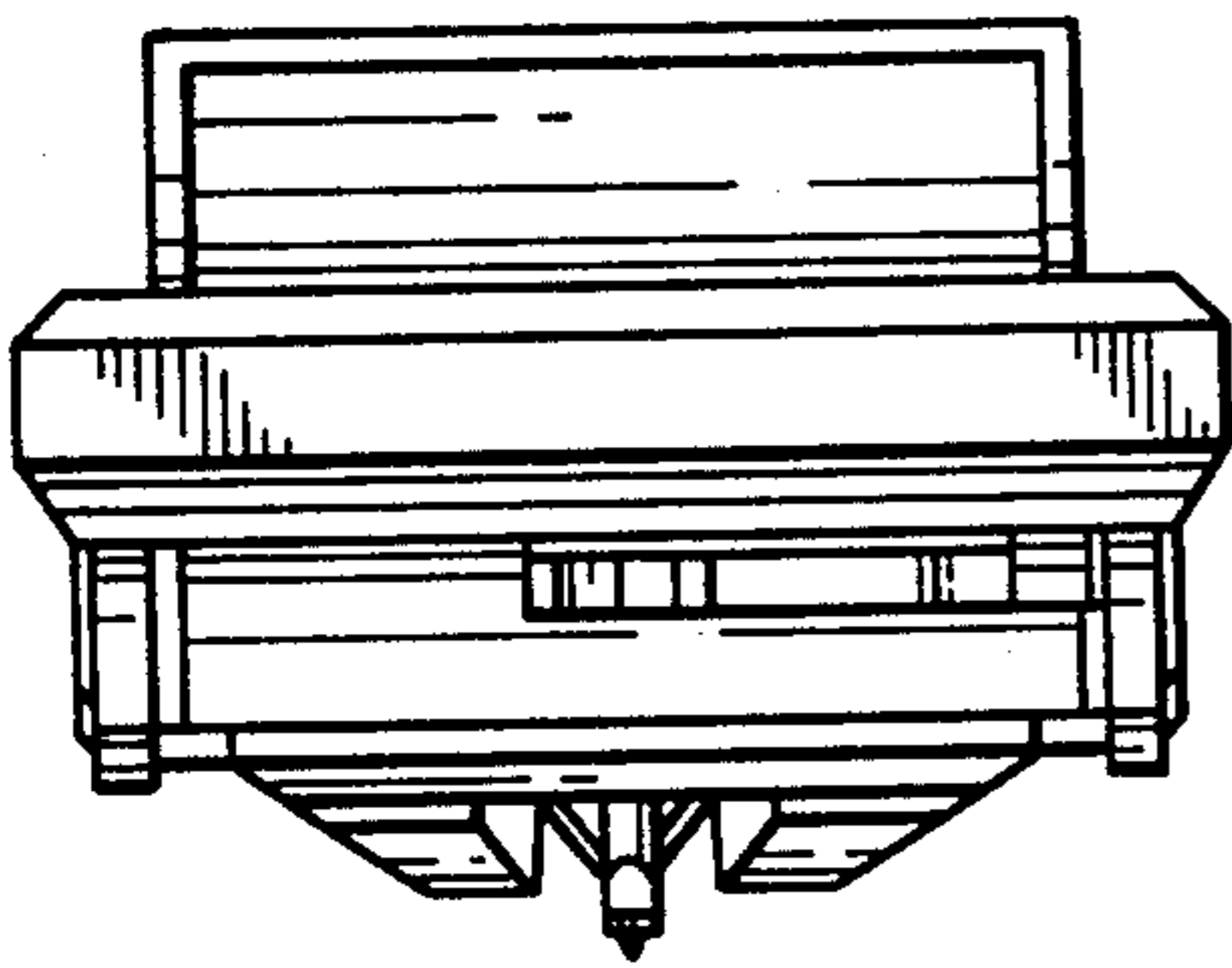


FIG. 6

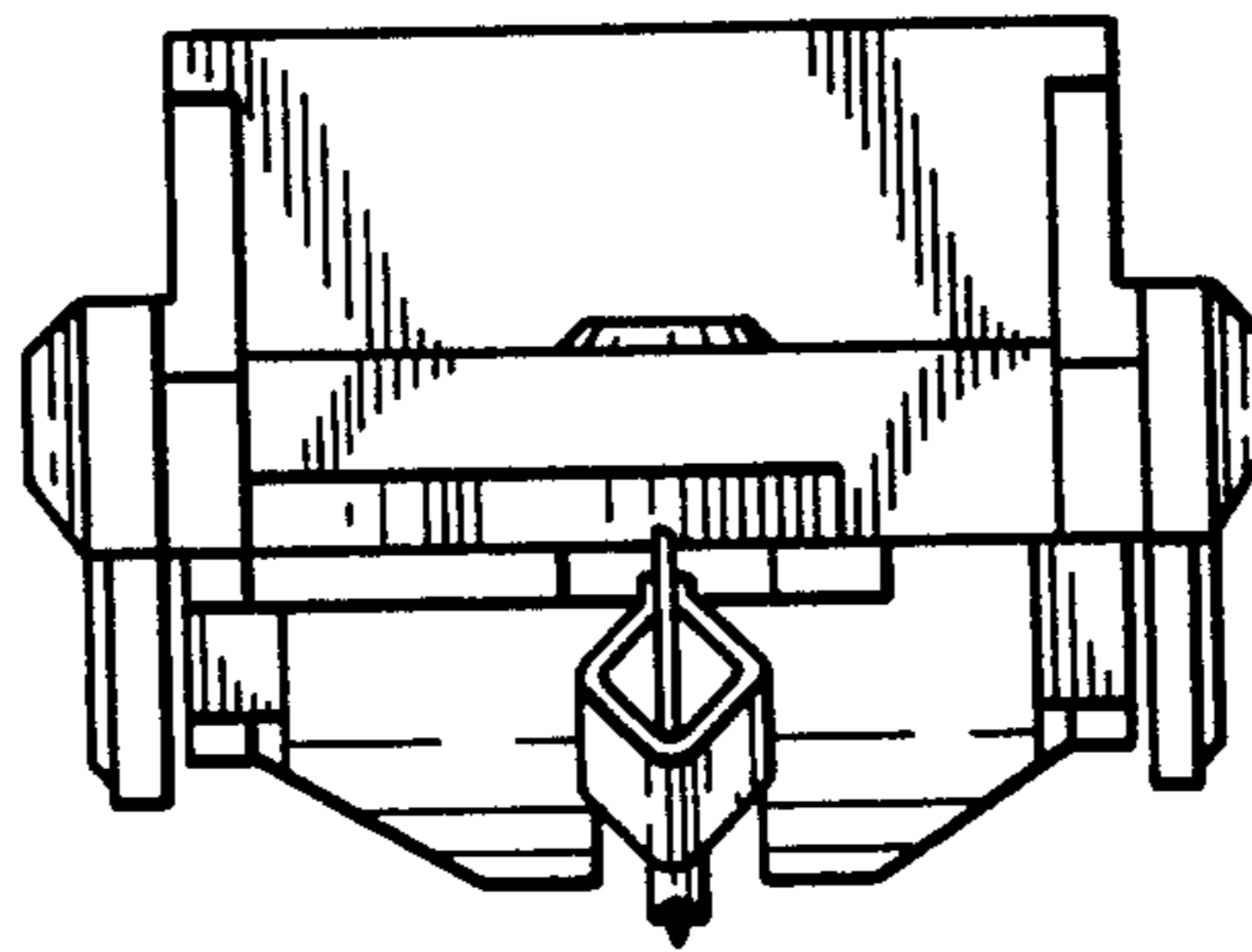


FIG. 7