

[54] **SIGNALLING DEVICE**

[75] **Inventor:** Alfred I. Bottner, Natick, Mass.

[73] **Assignee:** GTE Products Corporation,
Stamford, Conn.

[**] **Term:** 14 Years

[21] **Appl. No.:** 965,757

[22] **Filed:** Dec. 4, 1978

[51] **Int. Cl.** D10-06

[52] **U.S. Cl.** D10/106

[58] **Field of Search** D10/104, 106, 121;
340/577-579, 590, 627-630, 693, 224, 276, 277,
283; 325/16, 118, 361, 117, 119, 356; 200/61.12,
83 N, 16 A, 19 A, 30 A; D9/240

[56] **References Cited**

U.S. PATENT DOCUMENTS

D. 246,289 11/1977 Boucher D9/240

Primary Examiner—W. Stallard

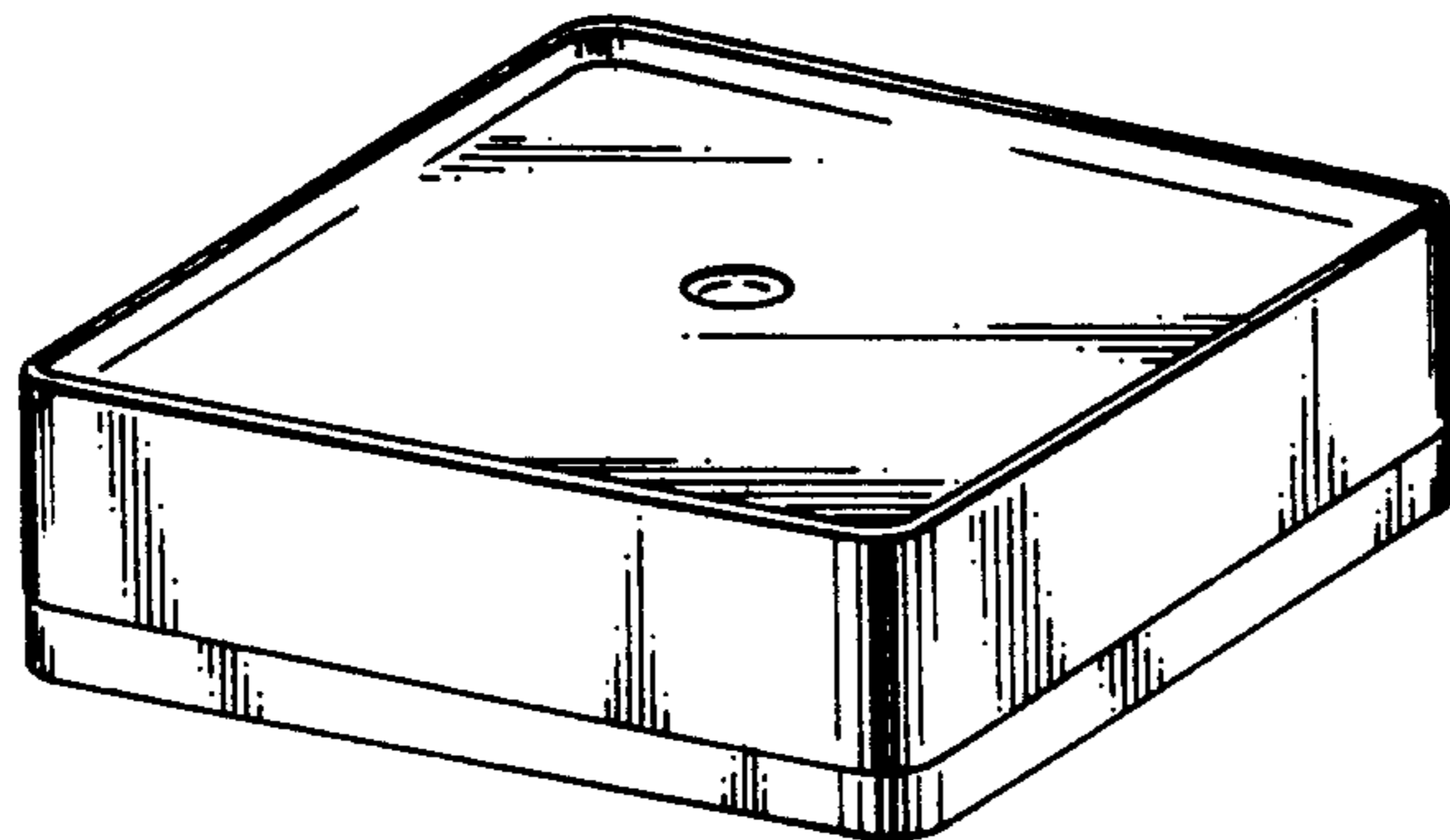
Attorney, Agent, or Firm—Peter Xiarhos

[57] **CLAIM**

The ornamental design for a signalling device, substantially as shown and described.

DESCRIPTION

FIG. 1 is a perspective view of a signalling device embodying my new design; and FIGS. 2, 3 and 4 are top, rear and side views, respectively, of the signalling device embodying my new design.



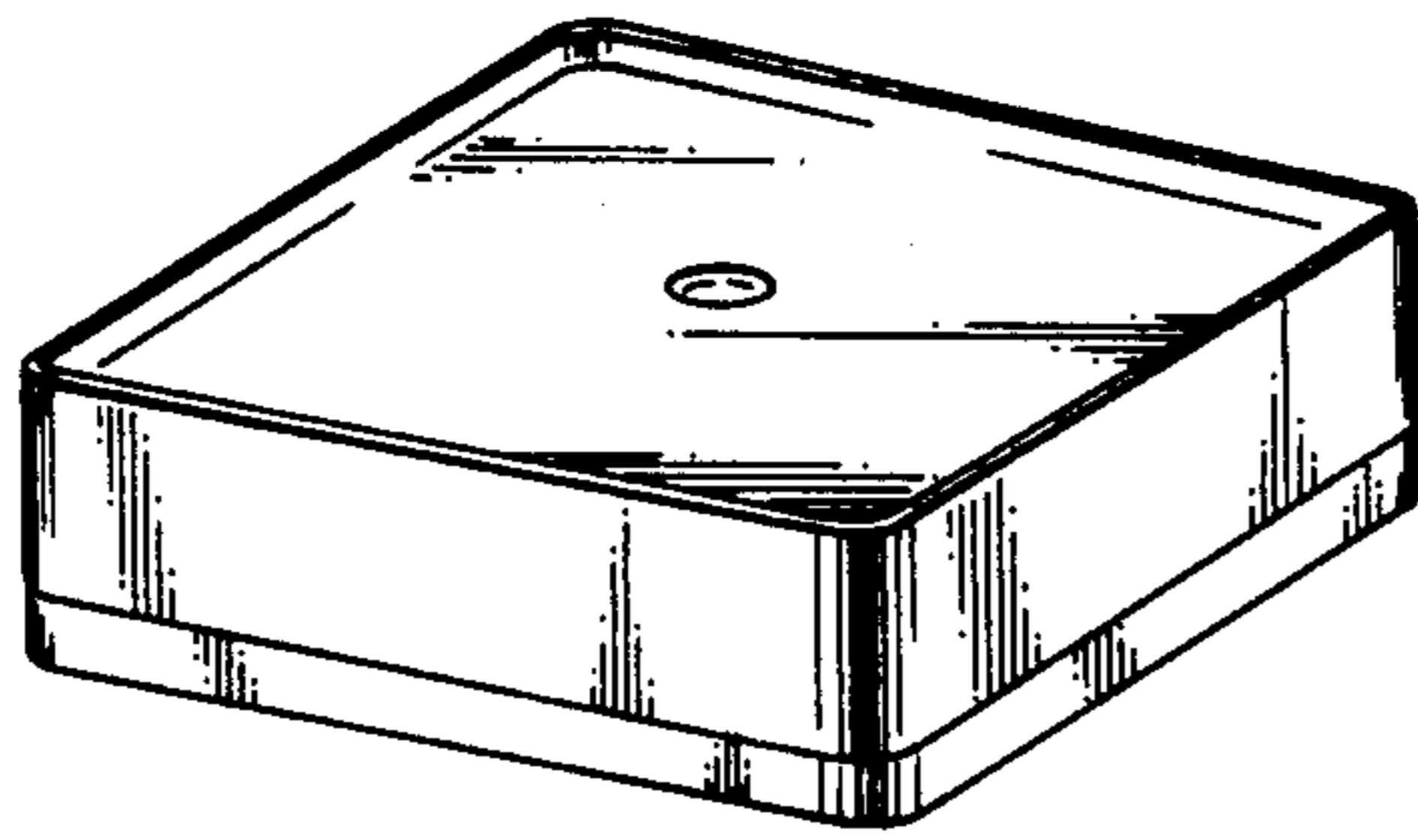


Fig. 1.

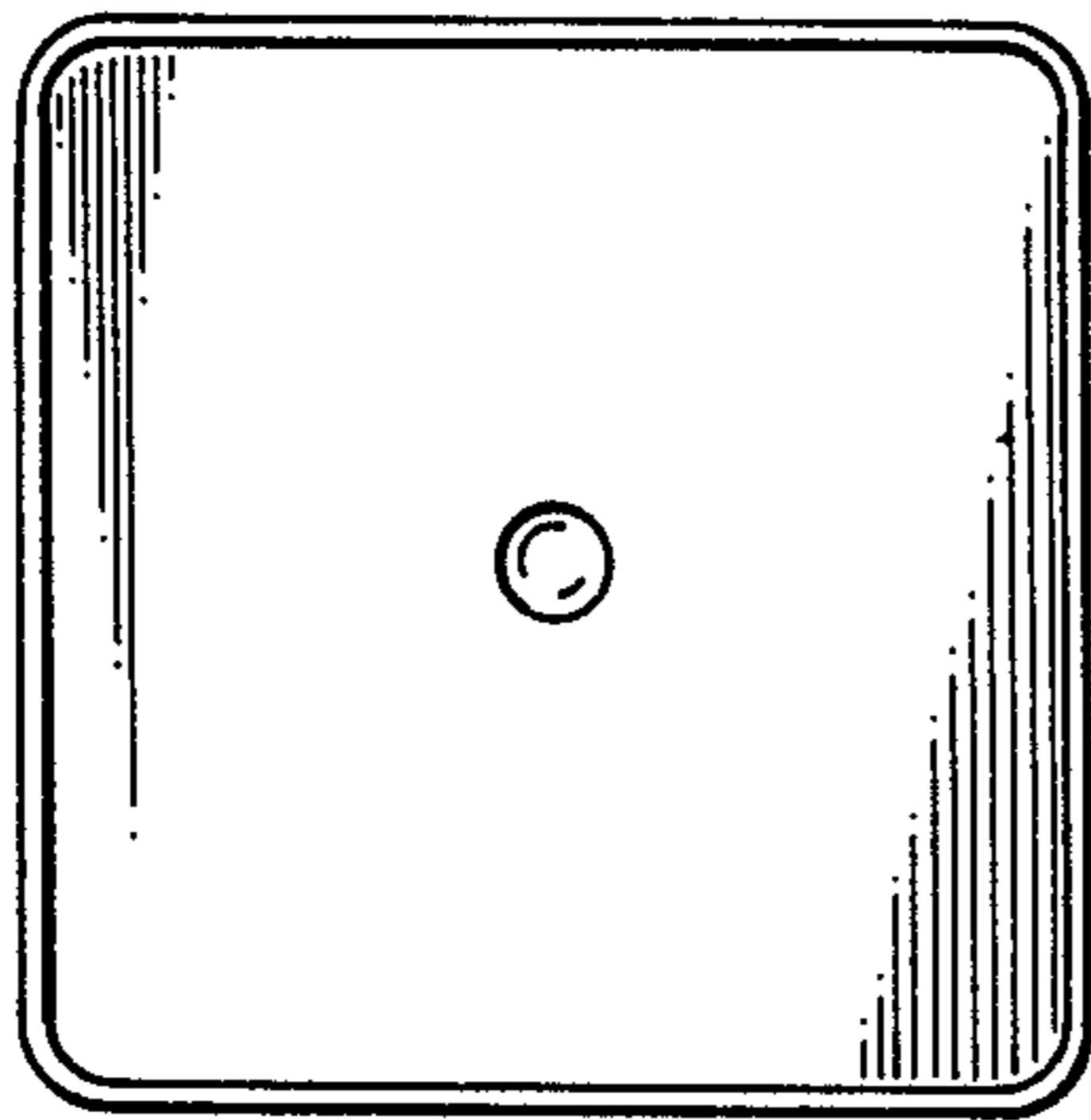


Fig. 2.

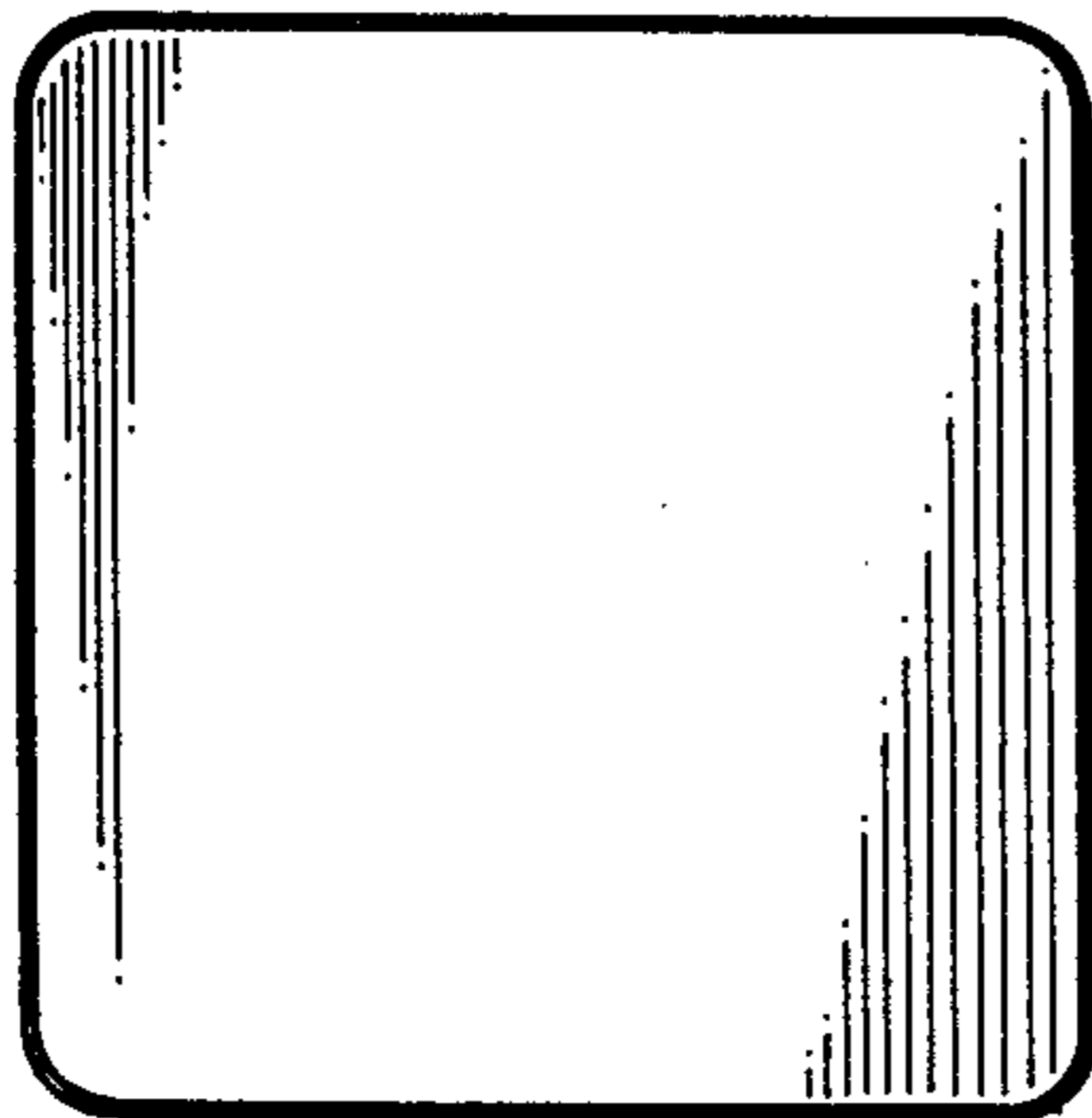


Fig. 3.



Fig. 4.