

[54] REMOVABLE HINGE RETAINER FOR VEHICLE SUN ROOFS

[75] Inventor: George E. DeStepheno, San Dimas, Calif.

[73] Assignee: Le Van Specialty Co., Inc., City of Industry, Calif.

[**] Term: 14 Years

[21] Appl. No.: 942,299

[22] Filed: Sep. 14, 1978

[51] Int. Cl. D8-06; D12-16

[52] U.S. Cl. D8/323; D12/155

[58] Field of Search D8/323, 325, 336; 296/137 B, 137 H, 137 F; 49/465, 397; D12/155, 156, 183

[56] References Cited

U.S. PATENT DOCUMENTS

4,154,474 5/1979 Hough et al. 296/137 B

FOREIGN PATENT DOCUMENTS

2749304 11/1977 Fed. Rep. of Germany 296/137 B

Primary Examiner—James M. Gandy

Attorney, Agent, or Firm—Francis X. Lo Jacono, Sr.

[57] CLAIM

The ornamental design for a removable hinge retainer for vehicle sun roofs, as shown.

DESCRIPTION

FIG. 1 is a rear perspective view of a removable hinge retainer for vehicle sun roofs showing my new design; FIG. 2 is a front-elevational view thereof; FIG. 3 is a side-elevational view thereof opposite to that shown in FIG. 1;

FIG. 4 is a top plan view thereof;

FIG. 5 is a rear-elevational view thereof; and

FIG. 6 is an enlarged cross-sectional view taken along line 6-6 of FIG. 1.

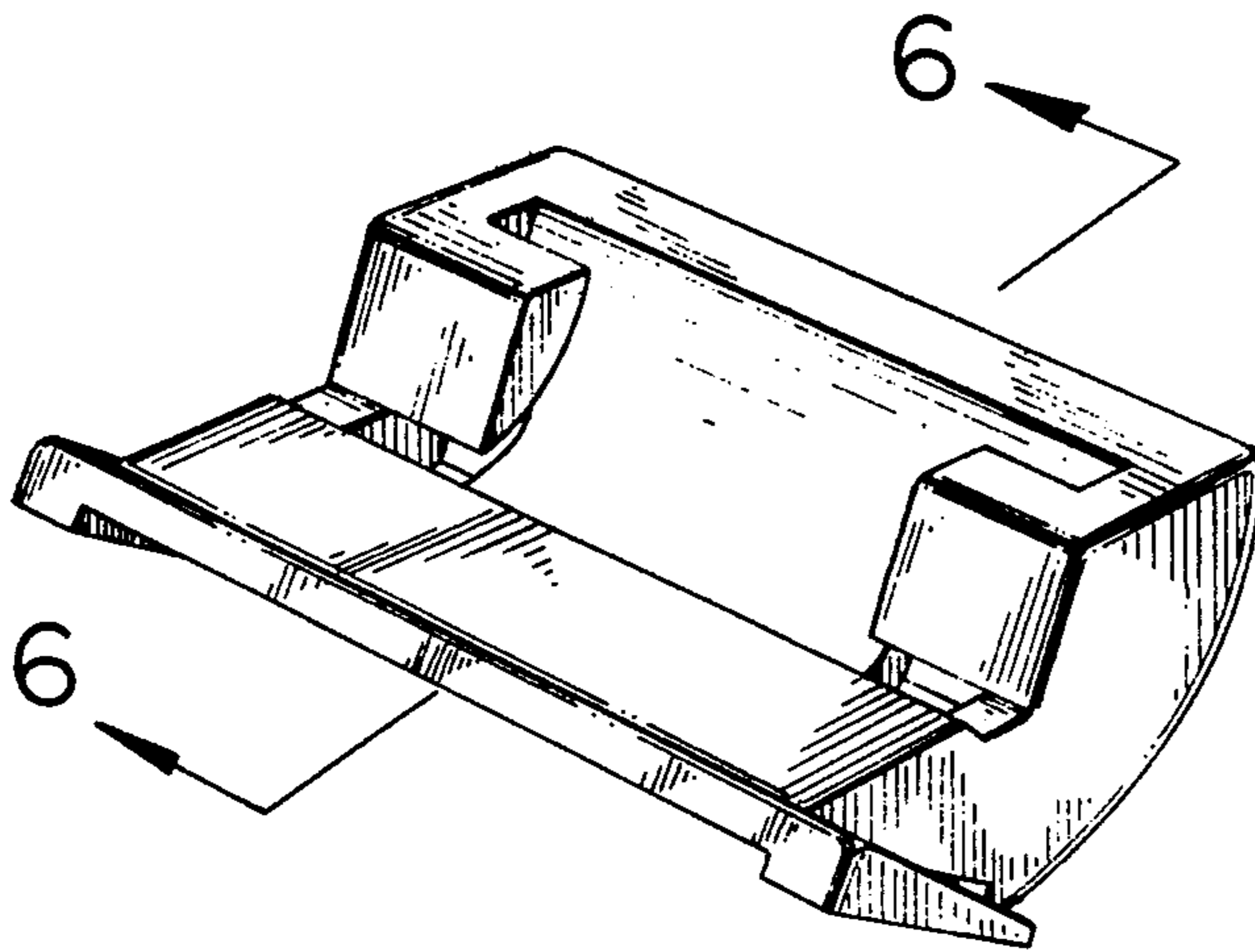


FIG. 1

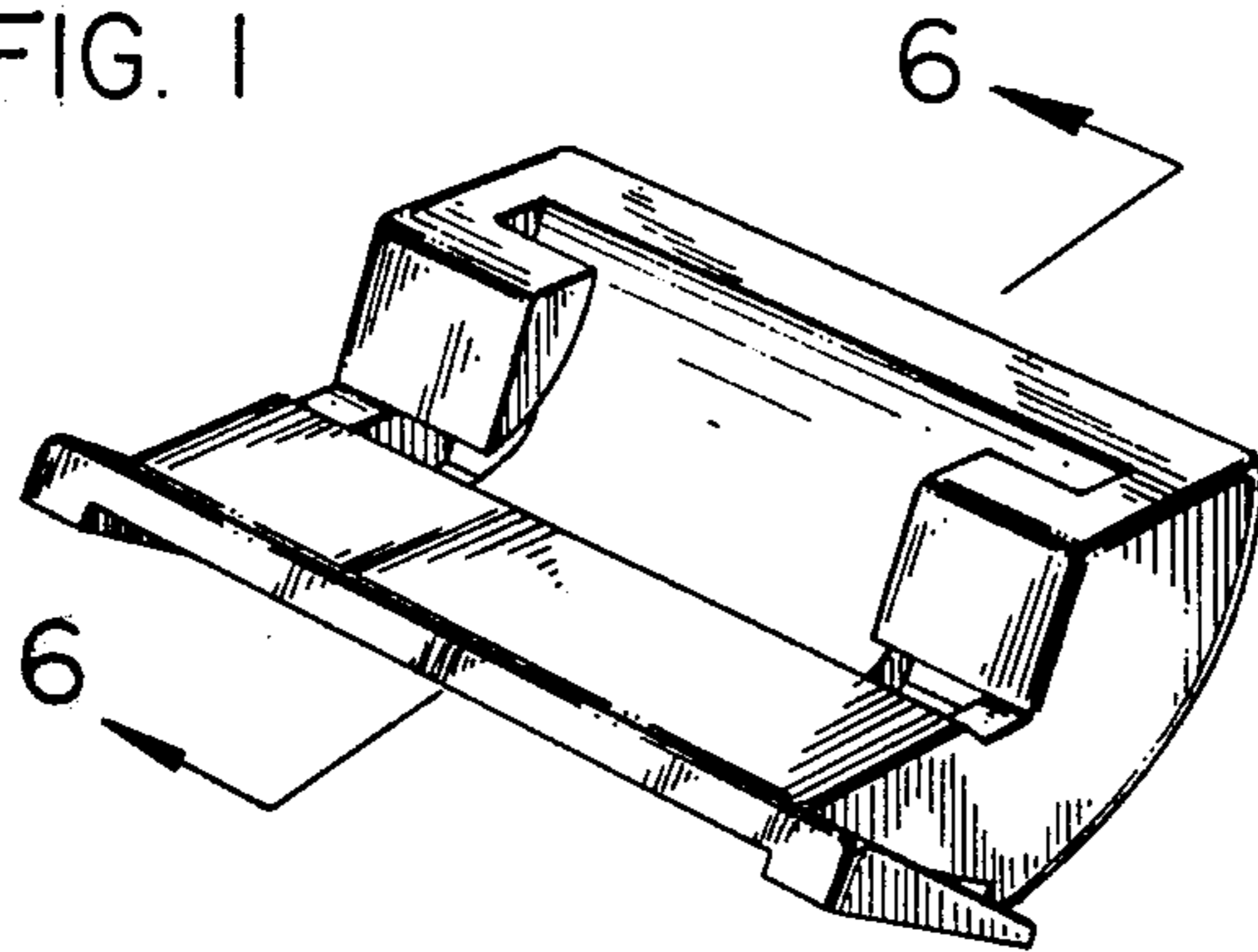


FIG. 2

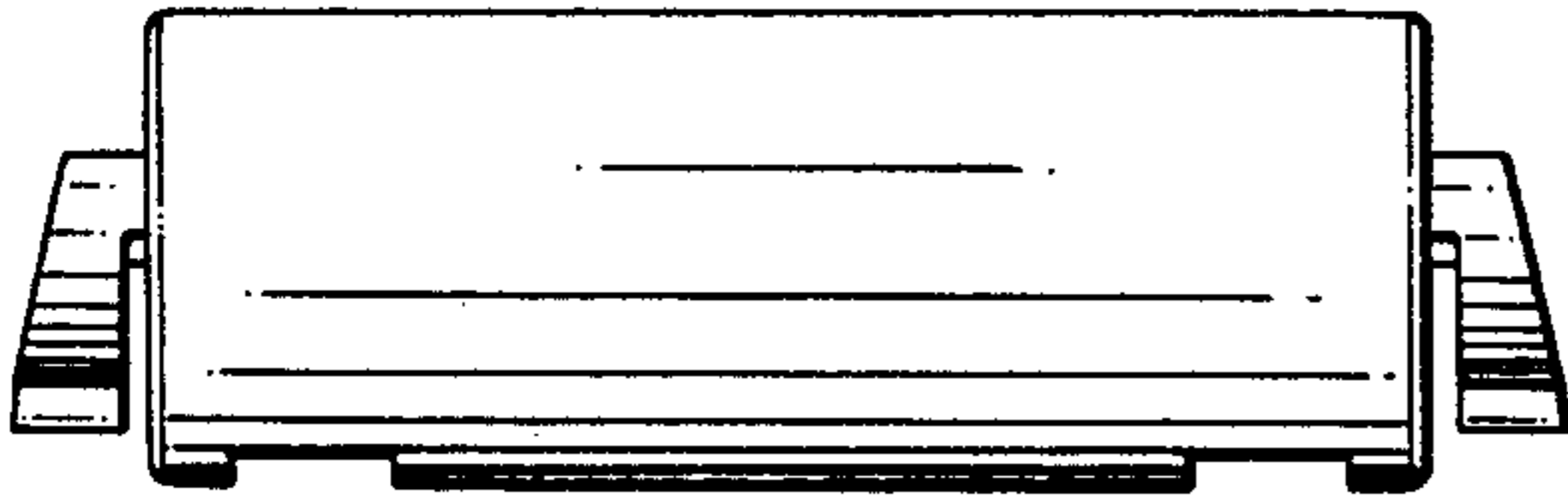


FIG. 3

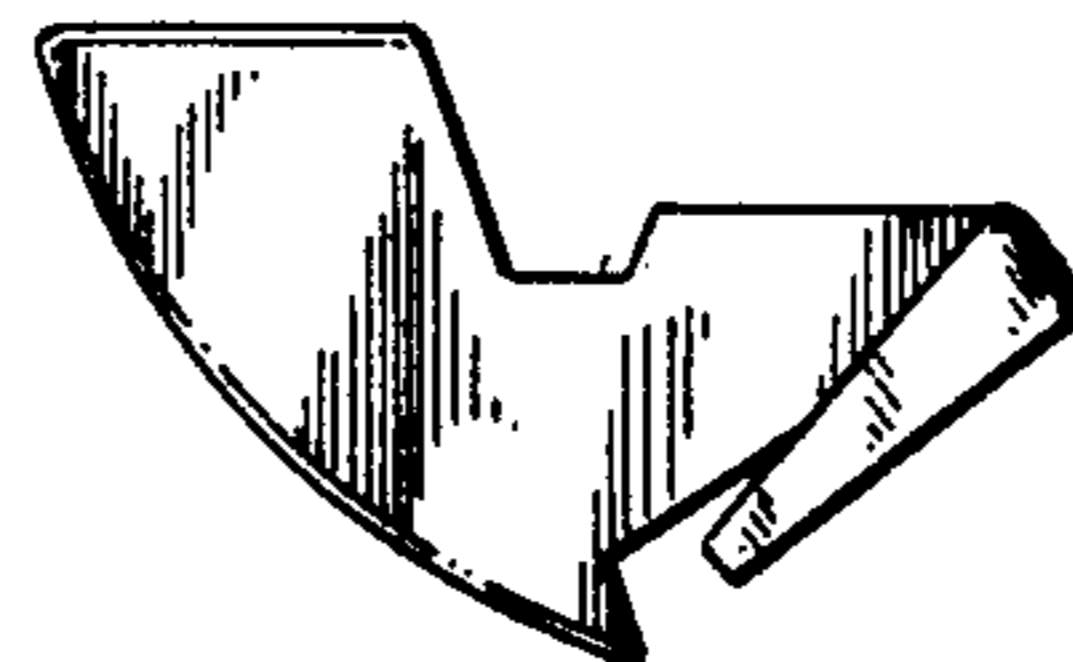


FIG. 4

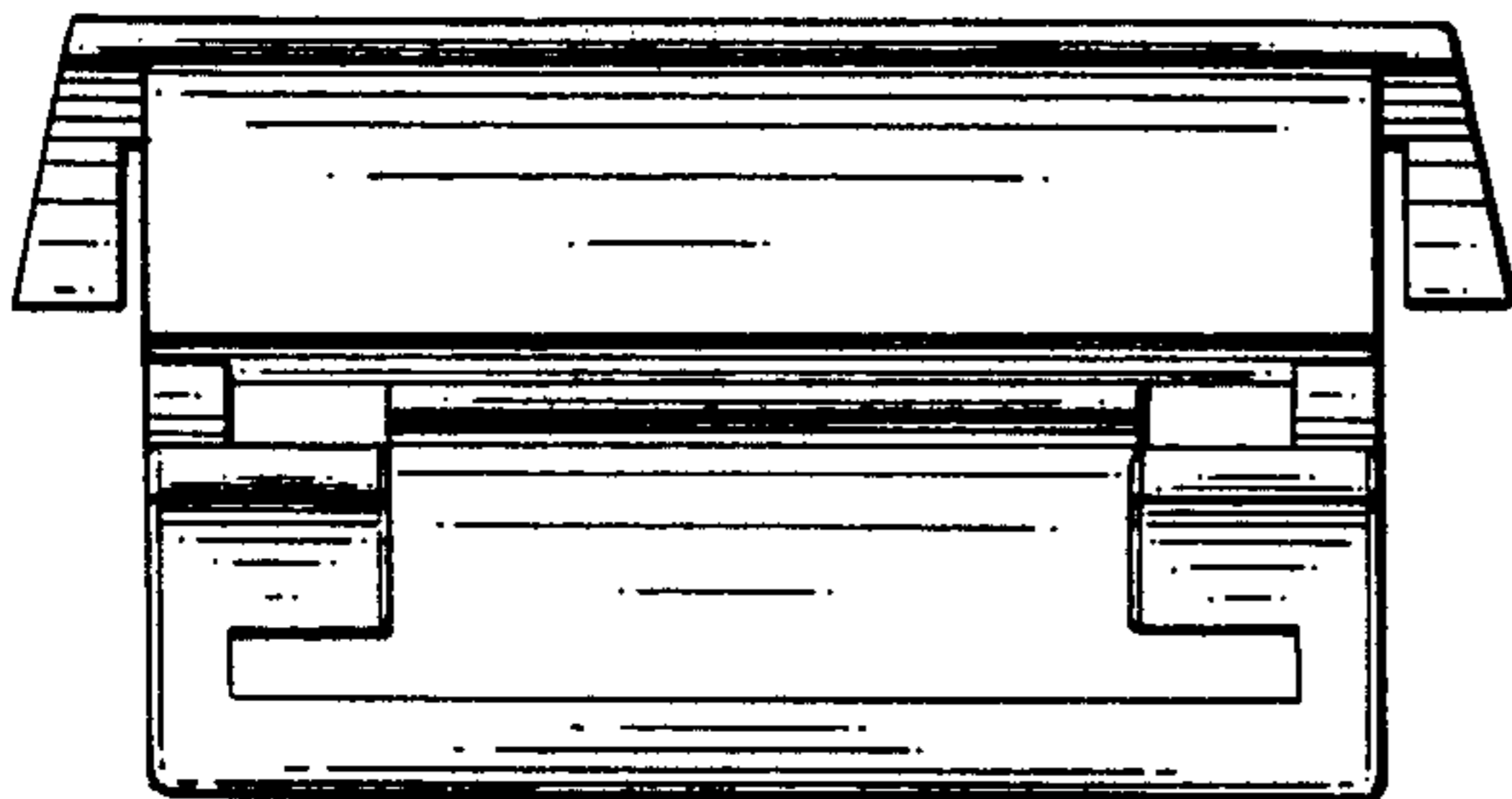


FIG. 6

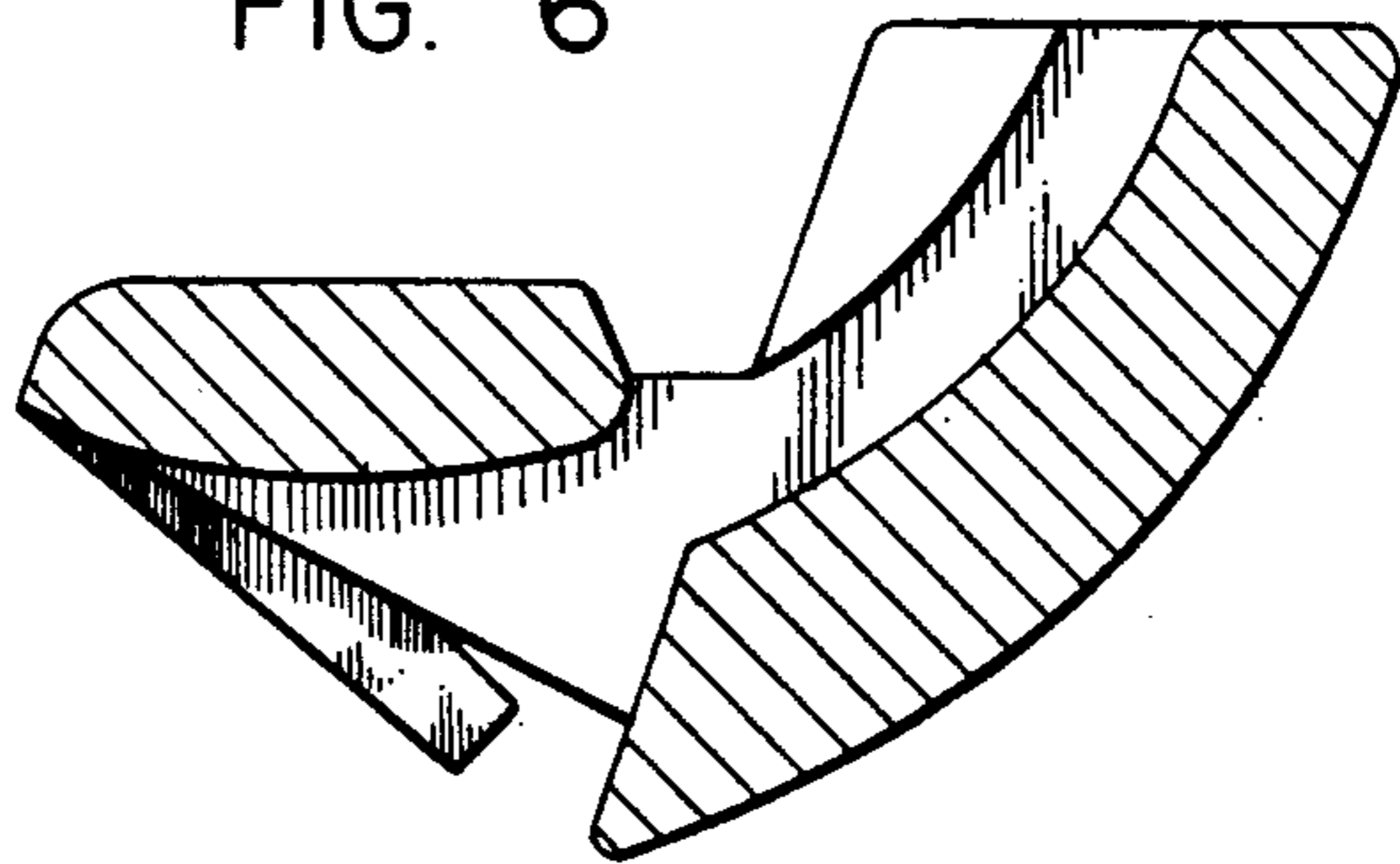


FIG. 5

