

[54] HANDLE FOR SLIDING DOOR OR WINDOW

[76] Inventor: Raymond Dallaire, P.O. Box 220, Levis, Quebec, Canada

[**] Term: 14 Years

[21] Appl. No.: 942,753

[22] Filed: Sep. 14, 1978

[30] Foreign Application Priority Data
Mar. 17, 1978 [CA] Canada 17-03-78-13

[51] Int. Cl. D8-06
[52] U.S. Cl. D8/300
[58] Field of Search D8/300, 301, 305-307, D8/310-320; 16/110 R, 111 R, 121, 127, DIG. 11, DIG. 30; 292/347, DIG. 46

[56] References Cited

U.S. PATENT DOCUMENTS

D. 178,968 10/1956 Merendino D8/319
D. 178,969 10/1956 Merendino D8/319
D. 226,301 2/1973 Dushane D8/319

OTHER PUBLICATIONS

Architectural Record, 3/1962, p. 264, Pull DP-41.
Architectural Record, 10/1957, p. 44, Pull (top left).

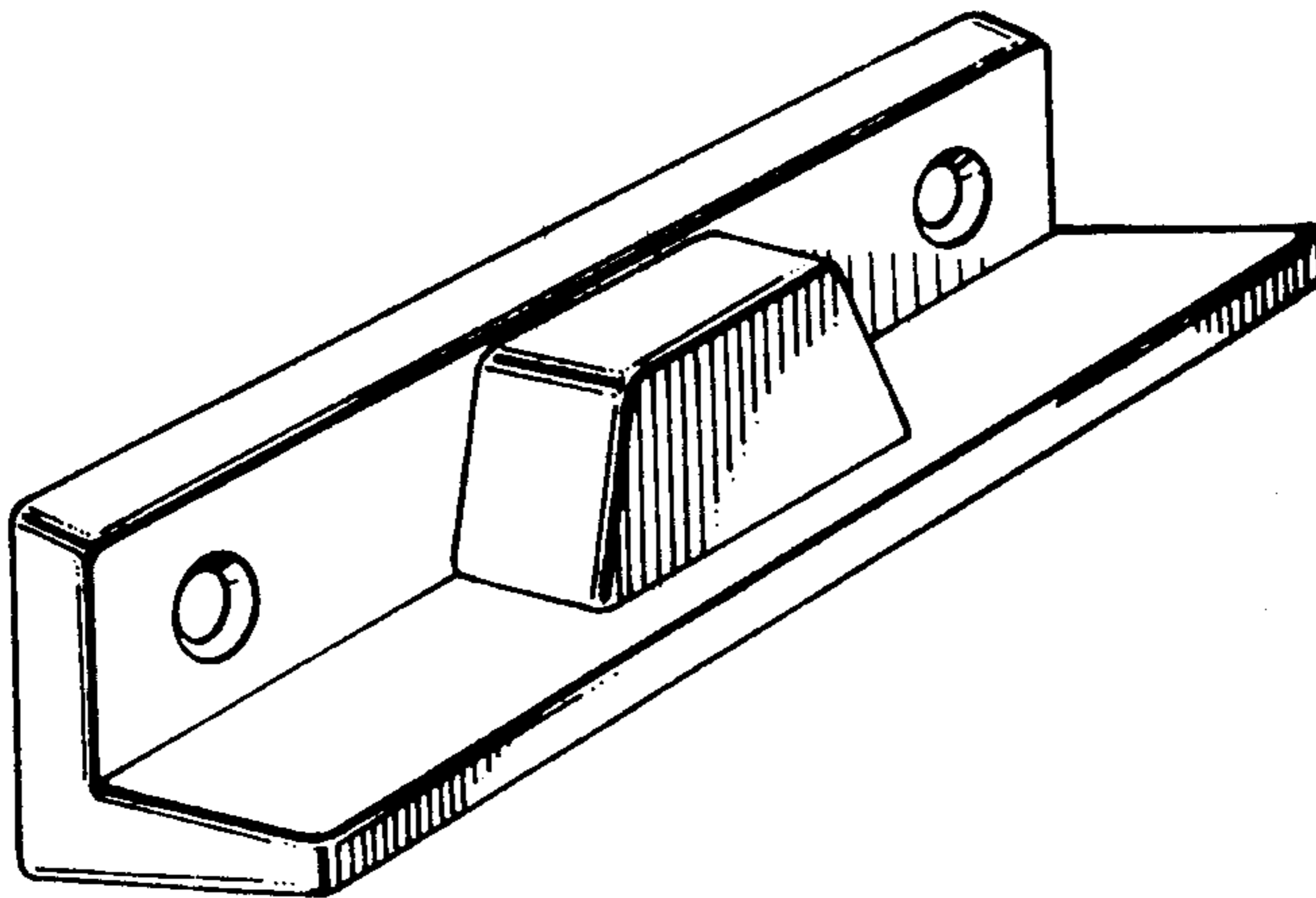
Primary Examiner—Barbara J. Bullock
Attorney, Agent, or Firm—John W. Malley

[57] CLAIM

The ornamental design for a handle for sliding door or window, as shown and described.

DESCRIPTION

FIG. 1 is a front perspective view of a handle for sliding door or window showing my new design, the rear and bottom being planar and unornamented; FIG. 2 is an end view; and FIG. 3 is a top plan view.



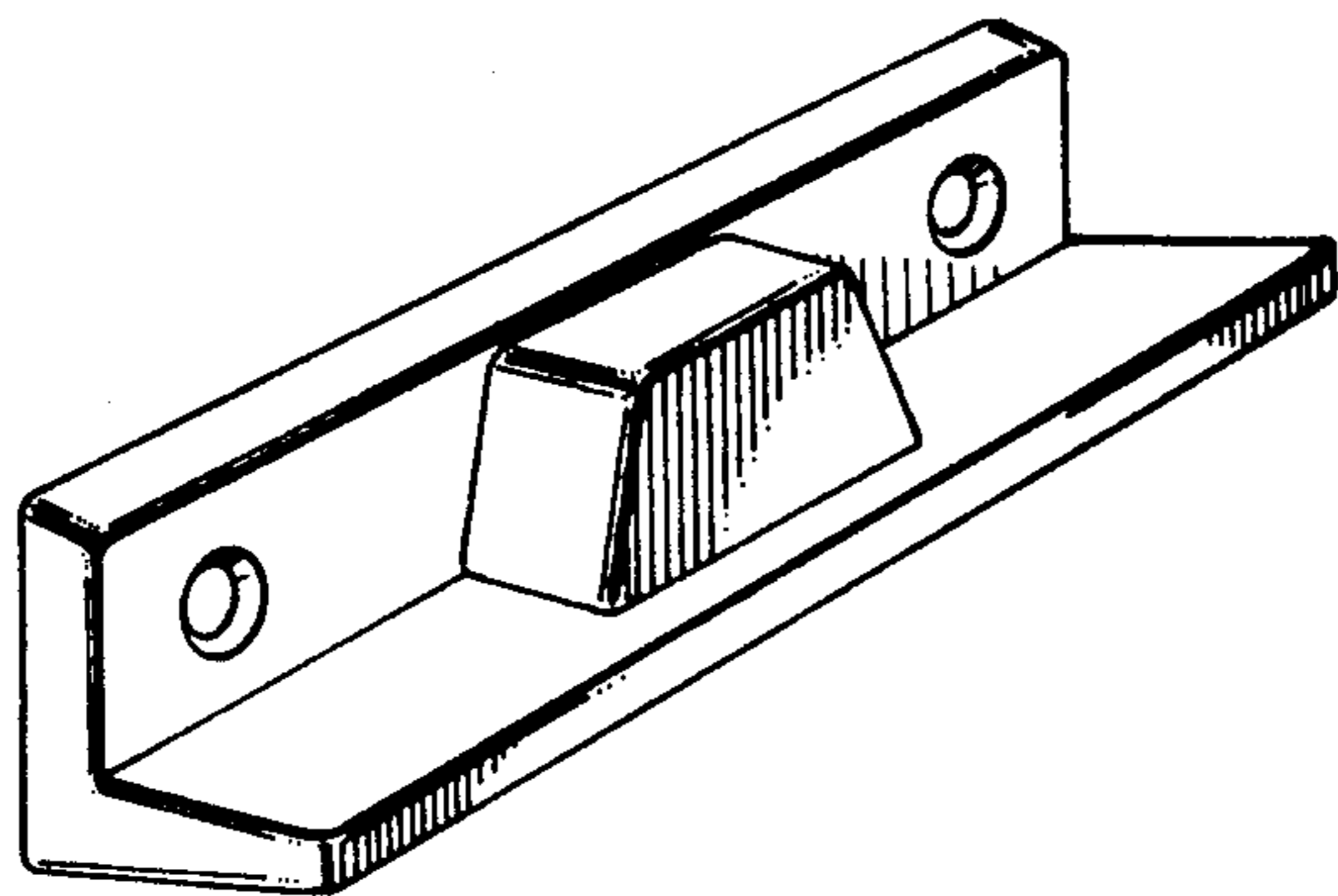


FIG. 1



FIG. 2

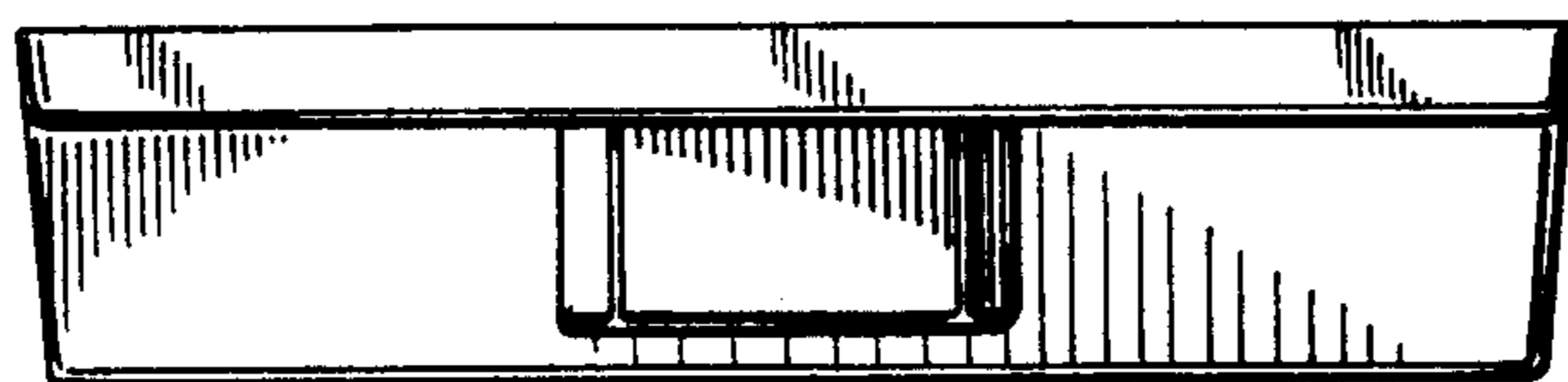


FIG. 3