

[54] **FLOUR SIFTER OR THE LIKE**

[75] Inventor: **Mark H. Freedman**, 432 Marzano, Albuquerque, N. Mex. 87106

[73] Assignees: **Mark H. Freedman; Theodore M. Freedman**, d.b.a. Screenz Products, both of Albuquerque, N. Mex.

D. 252,367	7/1979	Freedman et al. ....	D7/47
516,673	3/1894	Wilson .....	209/402
2,312,343	3/1943	Lintz .....	209/417
3,257,092	6/1966	Blundell .....	D7/45 X
3,934,308	1/1976	Neri .....	D7/43 X

[\*\*] Term: **14 Years**

[21] Appl. No.: **920,858**

[22] Filed: **Jun. 30, 1978**

[51] Int. Cl. .... **D07-04**

[52] U.S. Cl. .... **D7/47**

[58] Field of Search ..... **D7/47, 130, 37, 41, D7/45; 209/417, 412, 403, 235, 236; D23/4, 41**

[56] **References Cited**

**U.S. PATENT DOCUMENTS**

D. 248,360 7/1978 Graves ..... D7/43 X

**FOREIGN PATENT DOCUMENTS**

482622 4/1938 United Kingdom ..... D7/47

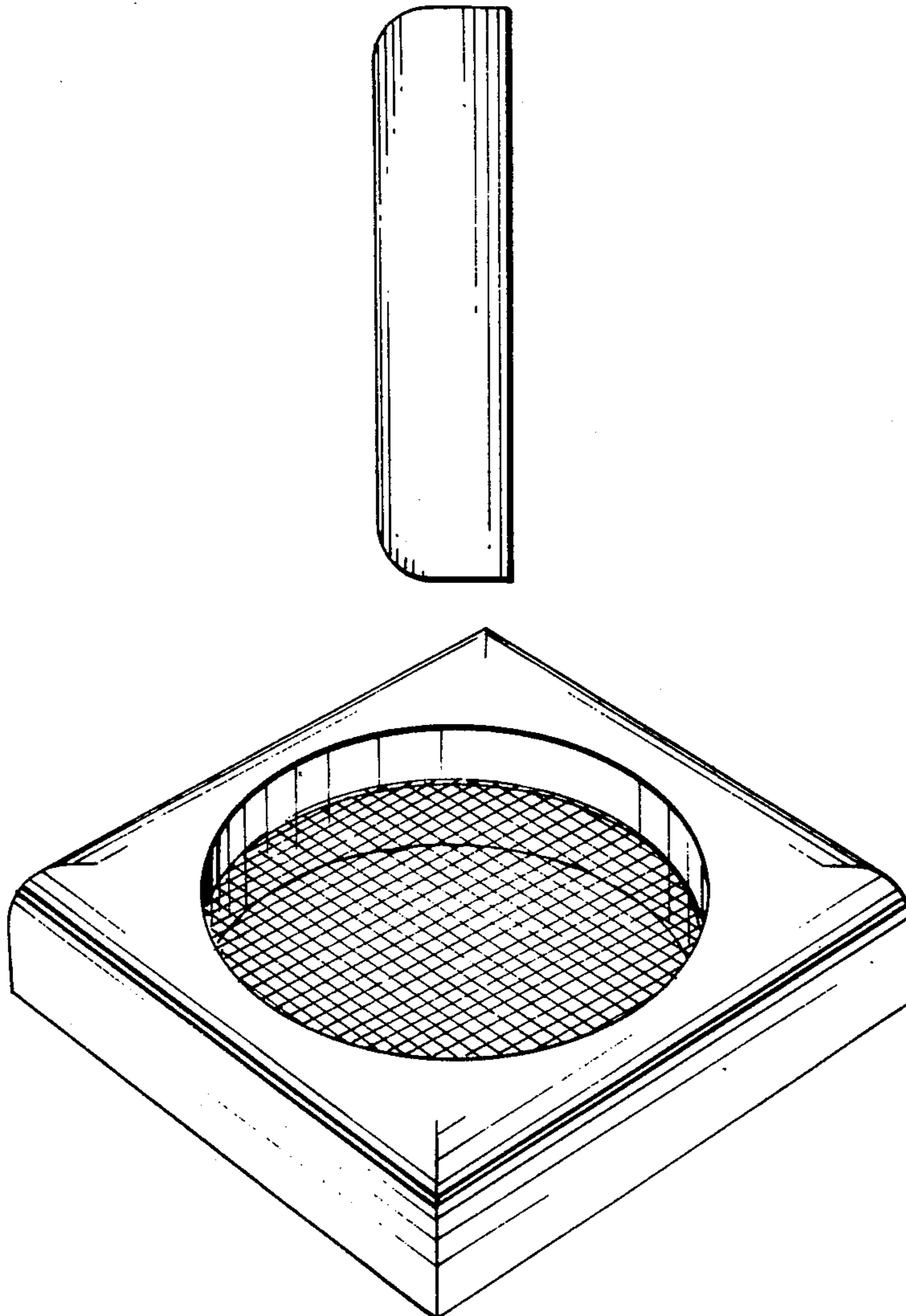
*Primary Examiner*—Winifred E. Herrmann  
*Attorney, Agent, or Firm*—C. Robert von Hellens

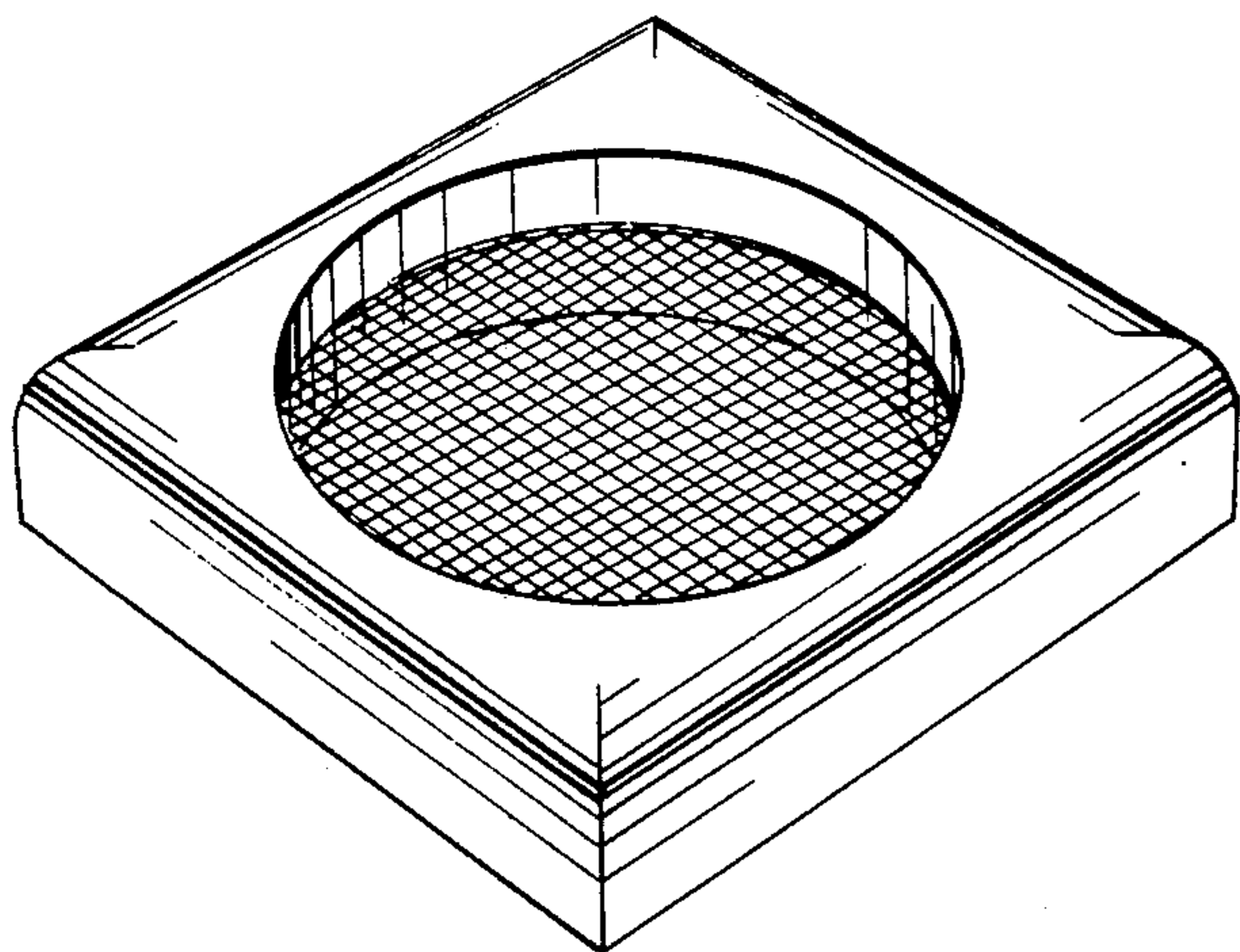
[57] **CLAIM**

The ornamental design for a flour sifter or the like, as shown and described.

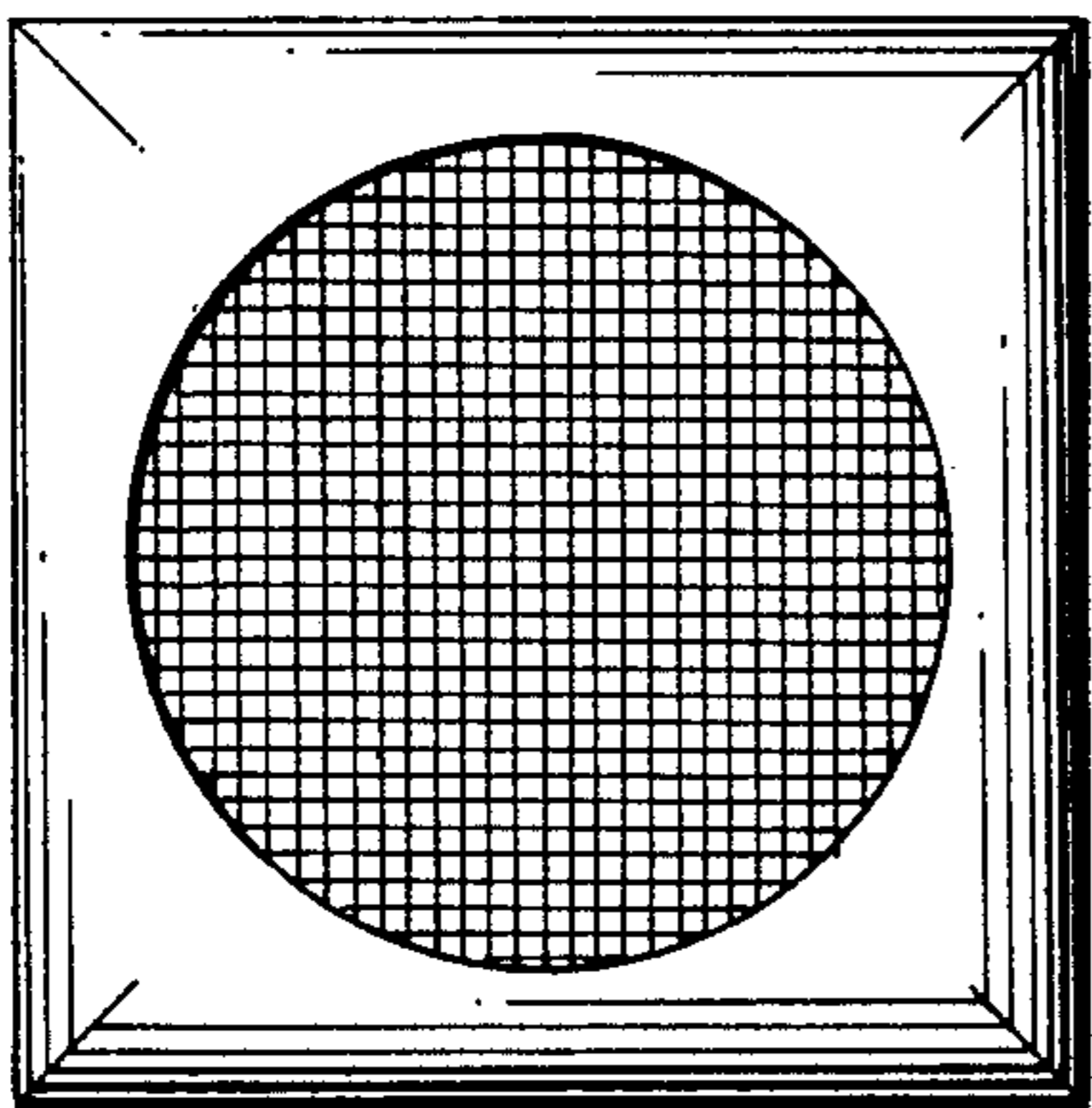
**DESCRIPTION**

FIG. 1 is a top perspective view of a flour sifter or the like showing my new design;  
FIG. 2 is a top view thereof;  
FIG. 3 is a bottom view thereof; and  
FIG. 4 is a right side view, the remaining left front and rear side views being identical therewith.





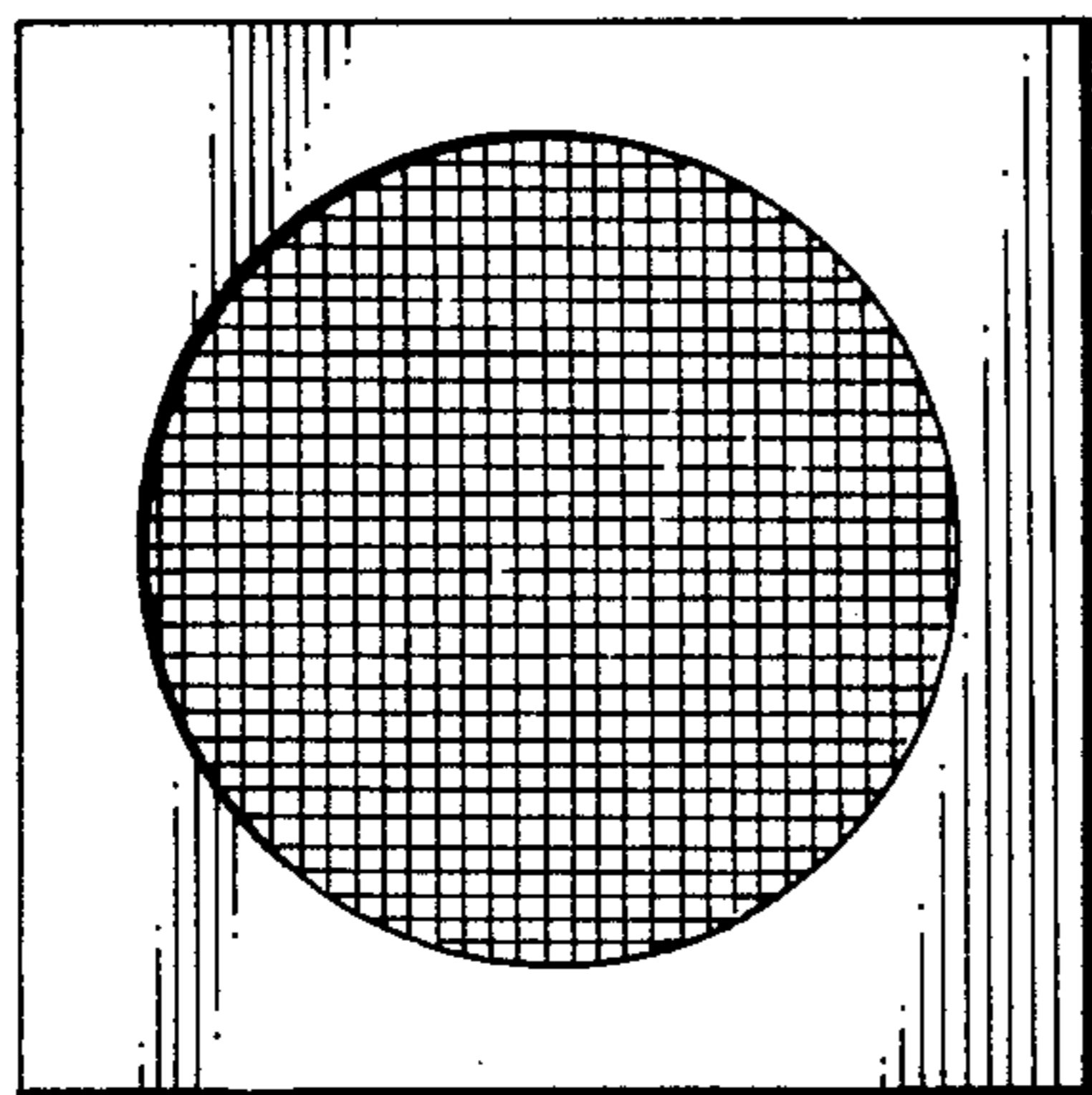
*fig. 1*



*fig. 2*



*fig. 4*



*fig. 3*