

[54] SUPPORT TABLE FOR PRINTER

[76] Inventor: Joseph T. Verdesca, 5604 Lobello Dr., Dallas, Tex. 75229

[**] Term: 14 Years

[21] Appl. No.: 925,322

[22] Filed: Jul. 17, 1978

[51] Int. Cl. D06-03

[52] U.S. Cl. D6/179; D6/174

[58] Field of Search D6/174, 177, 179; 312/21, 22, 211; D14/40, 42, 44, 45, 48, 50

[56] References Cited

U.S. PATENT DOCUMENTS

- D. 221,086 7/1971 Fossella D6/174
- D. 250,380 11/1978 Verdesca et al. D6/177

OTHER PUBLICATIONS

Interiors, Sep. 1977, p. 44, Desk in foreground.

J. C. Penny Spring/Summer 1972, p. 873, No. 2, "Open Cube", A802-2816A.

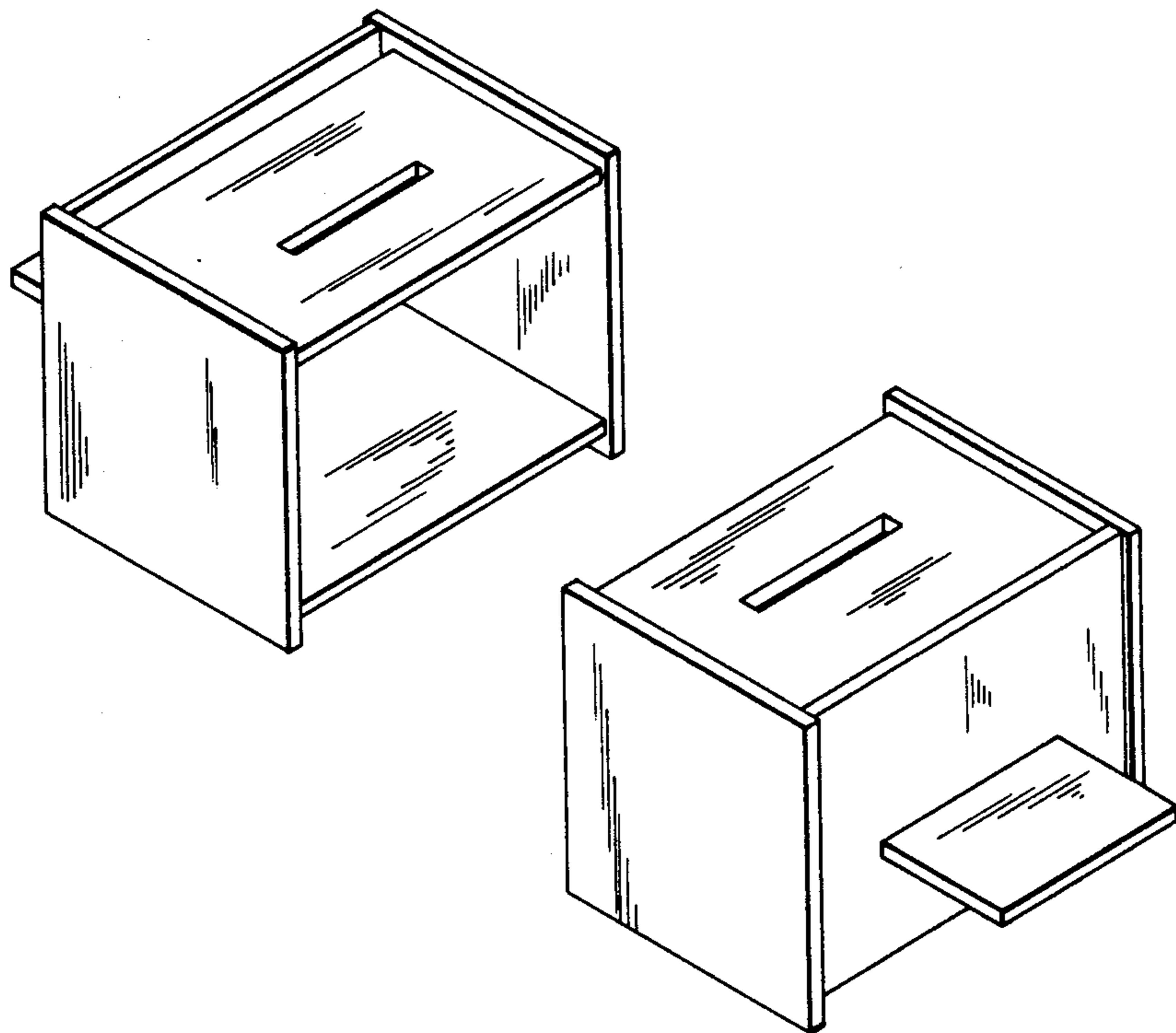
Primary Examiner—Joel Stearman
Assistant Examiner—Carmen H. Vales
Attorney, Agent, or Firm—D. Carl Richards

[57] CLAIM

The ornamental design for a support table for printer, as shown.

DESCRIPTION

FIG. 1 is a front perspective view of a support table for printer showing my new design;
 FIG. 2 is a rear perspective view thereof;
 FIG. 3 is a front elevational view thereof;
 FIG. 4 is a top plan view thereof;
 FIG. 5 is a side elevational view thereof, the opposite side being a mirror image thereof;
 FIG. 6 is a sectional view taken along lines 6-6 of FIG. 4;
 FIG. 7 is a bottom plan view thereof; and
 FIG. 8 is a rear elevational view thereof.



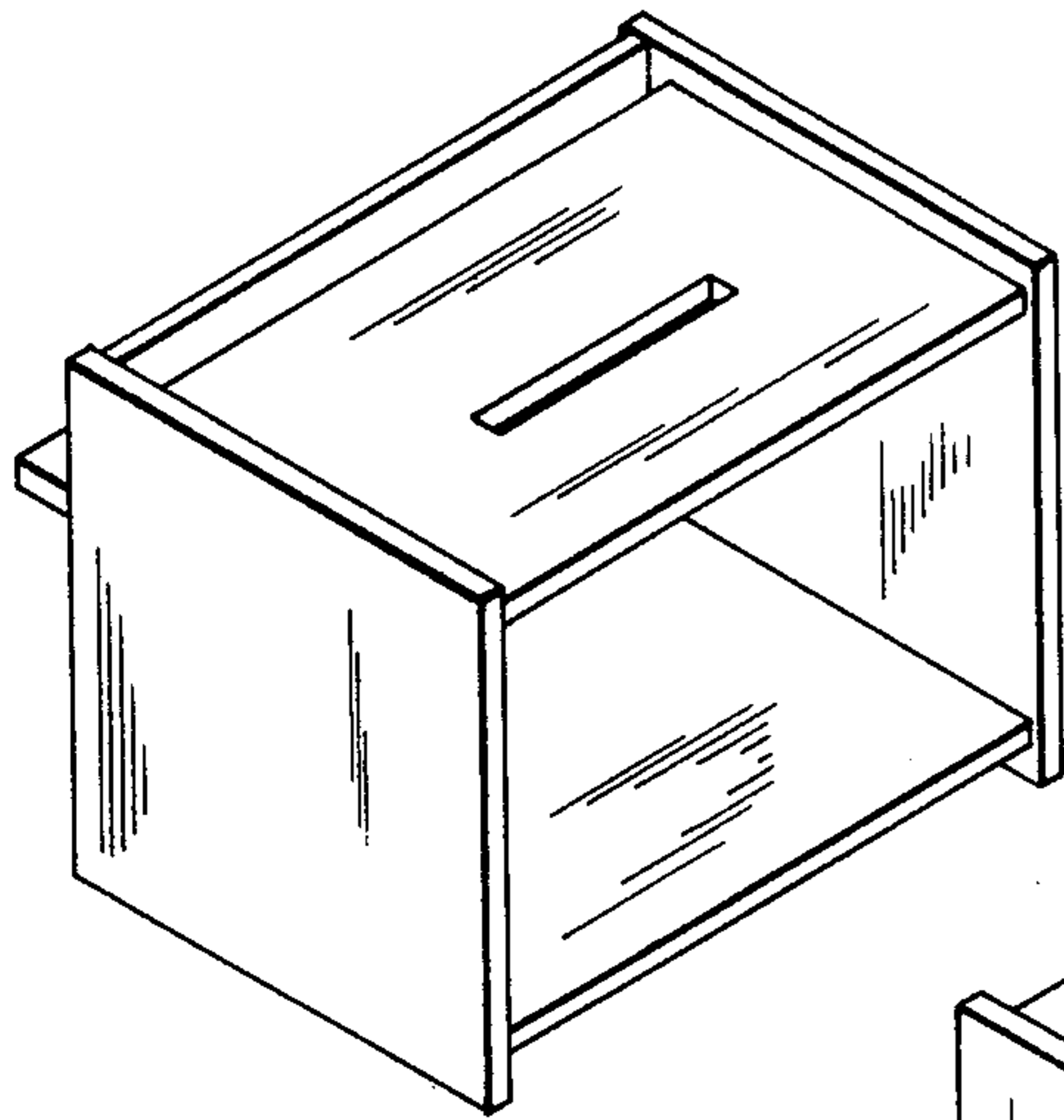


FIG. 1

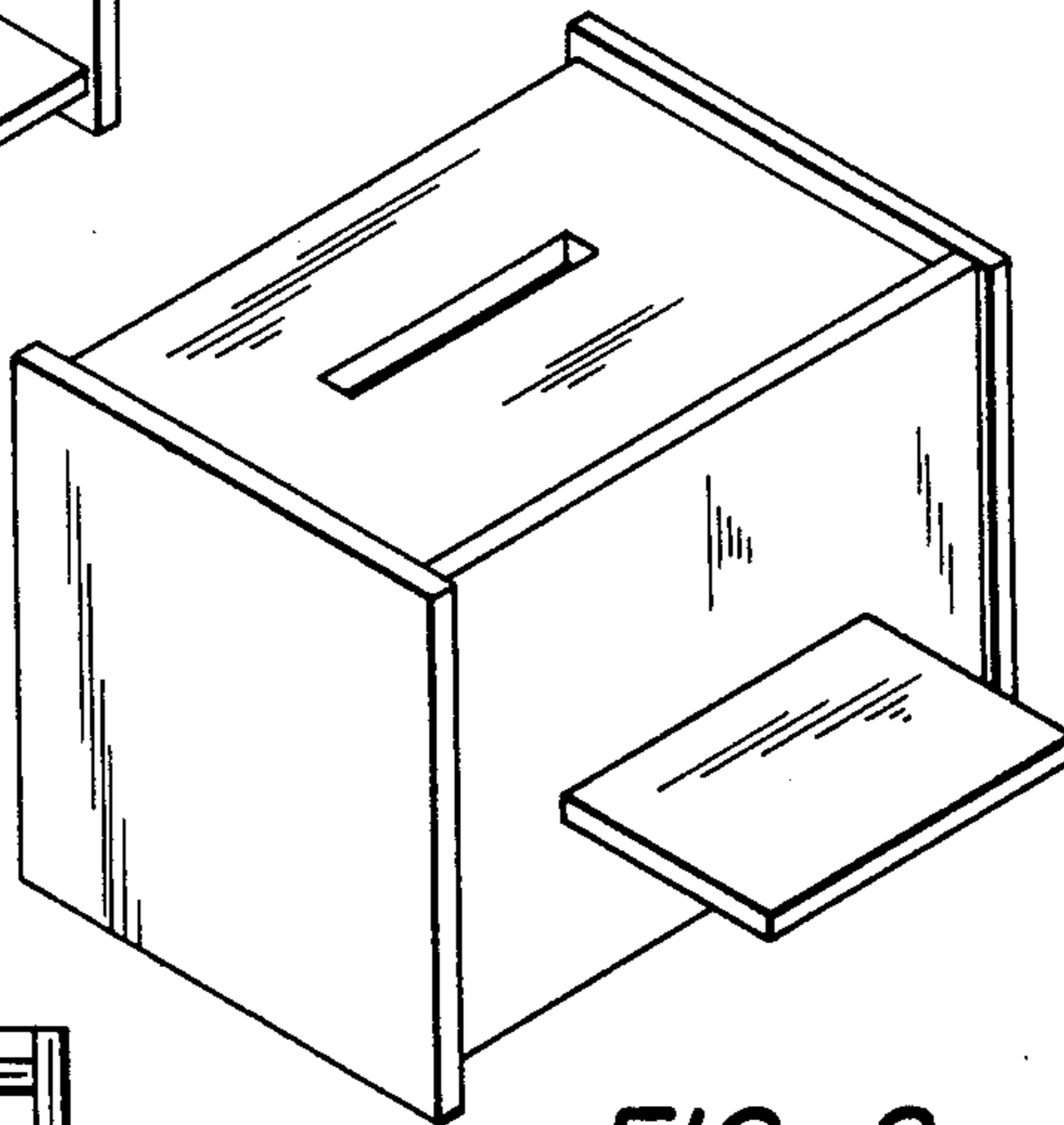


FIG. 2

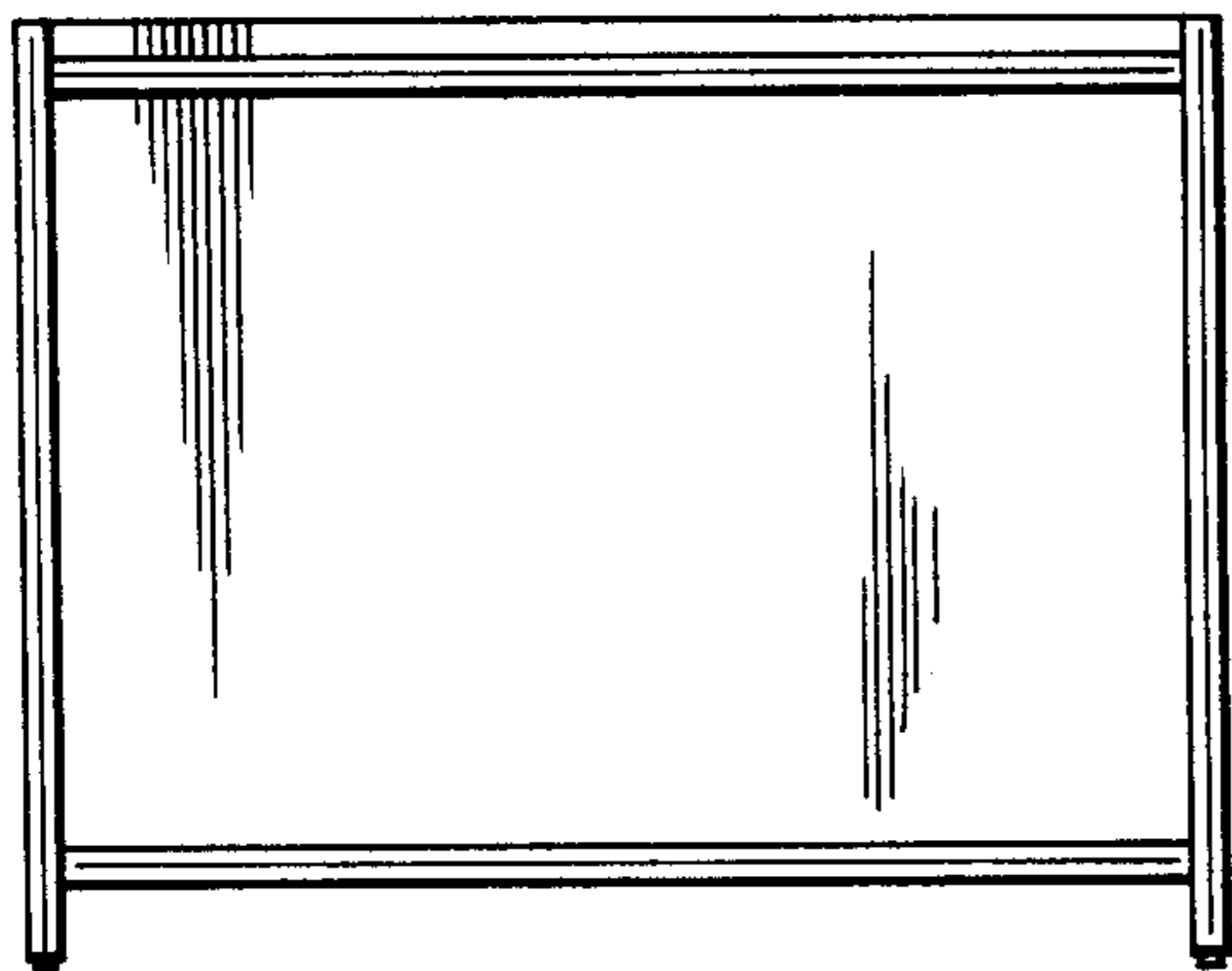


FIG. 3

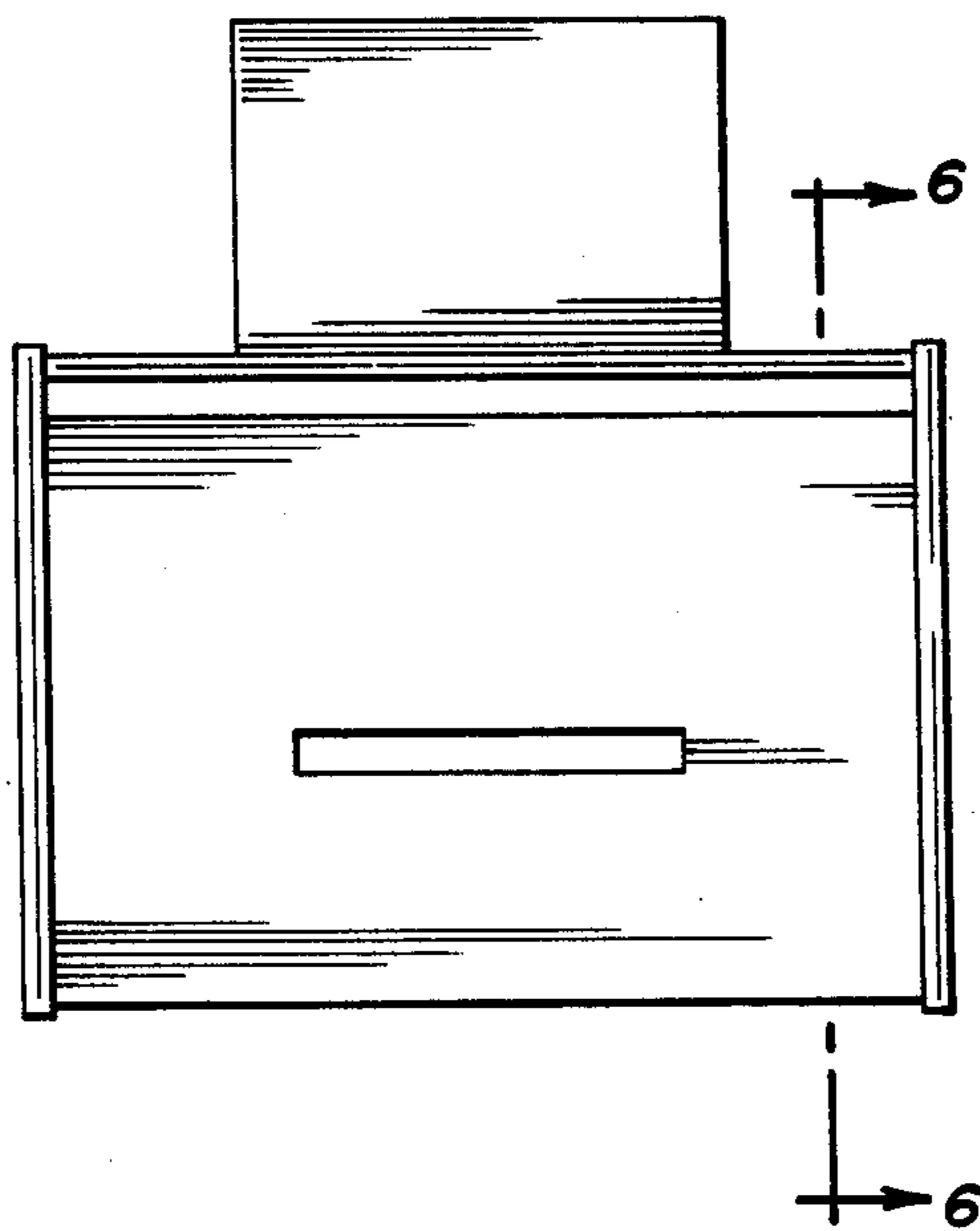


FIG. 4

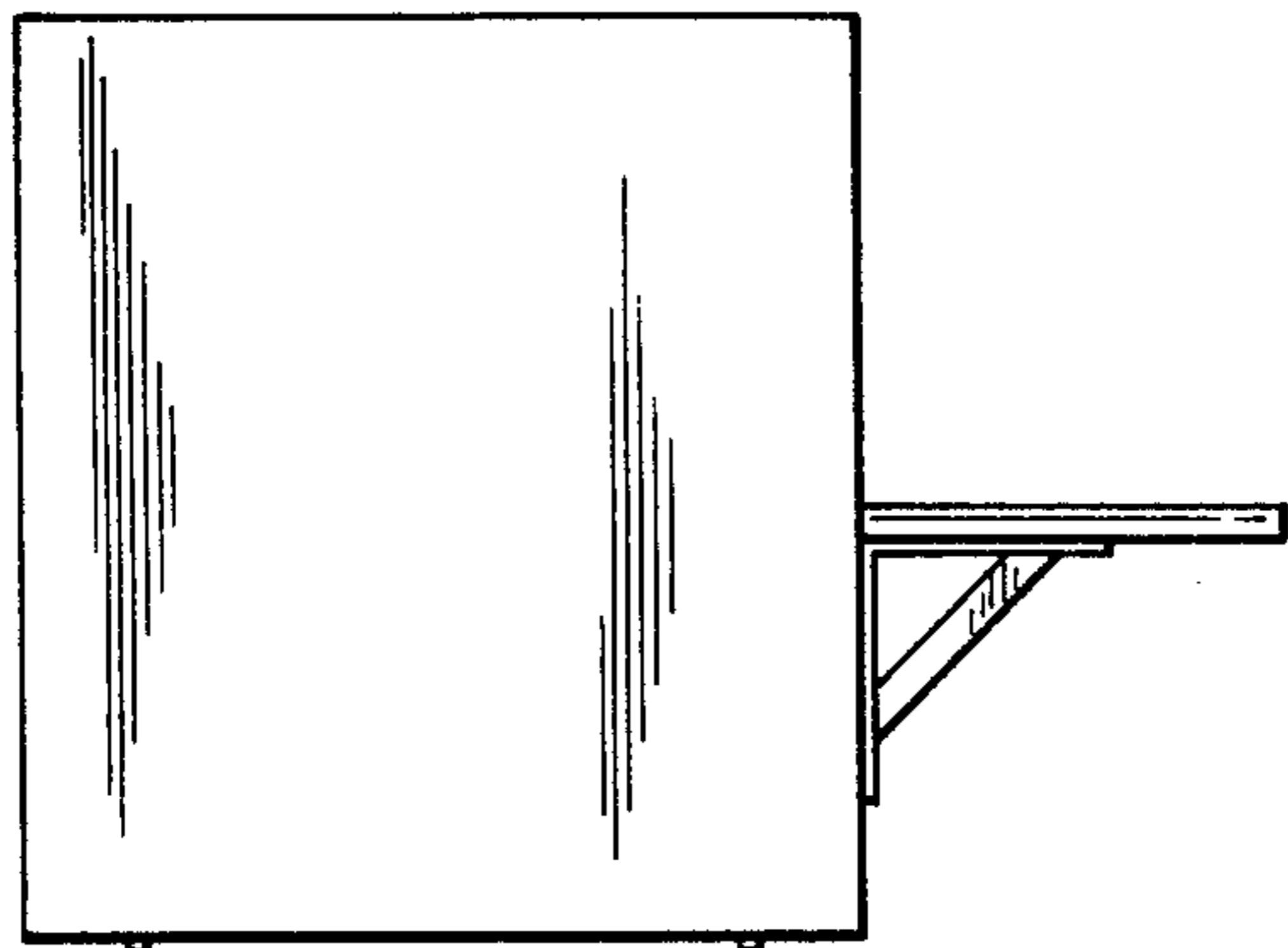


FIG. 5

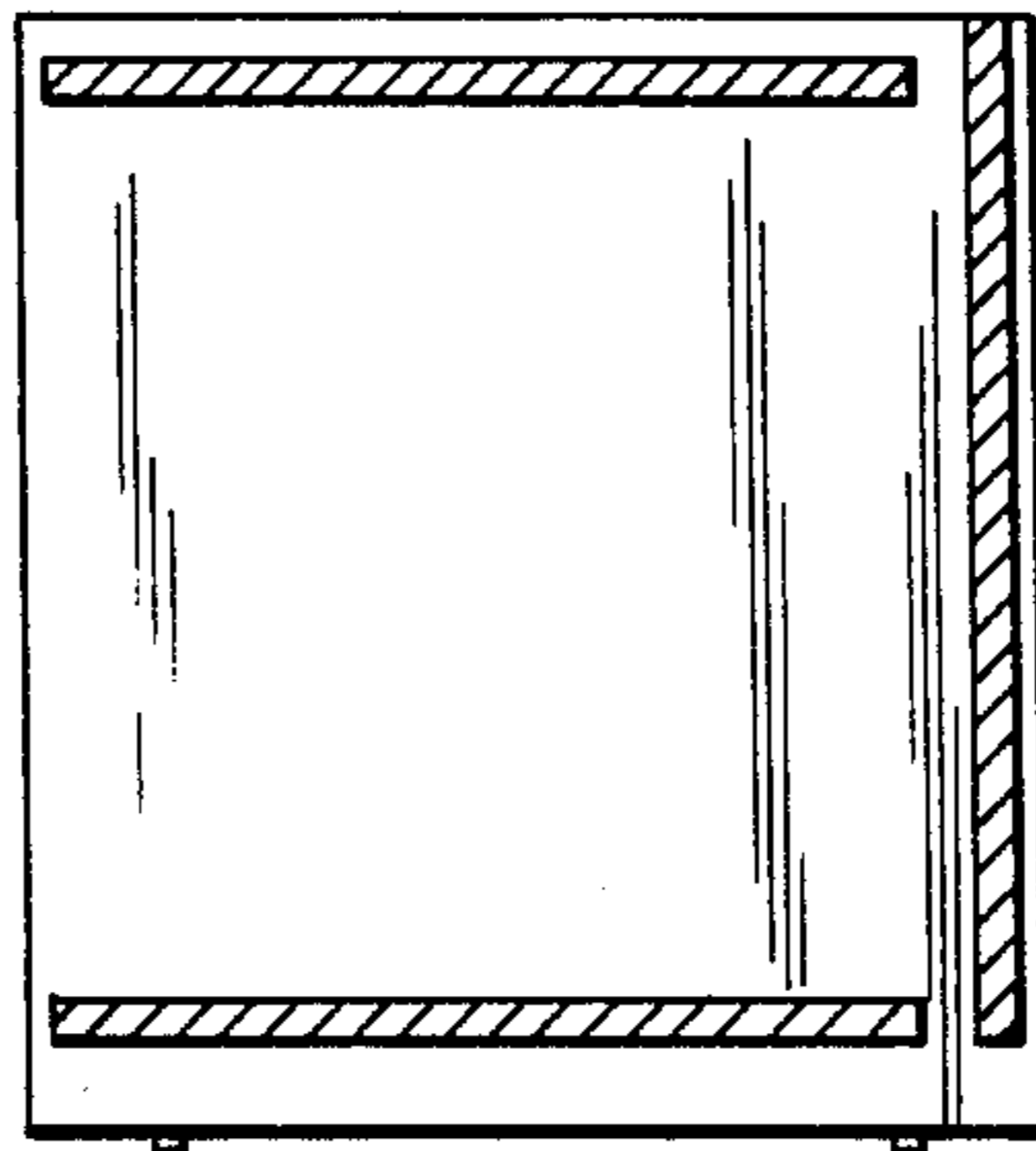


FIG. 6

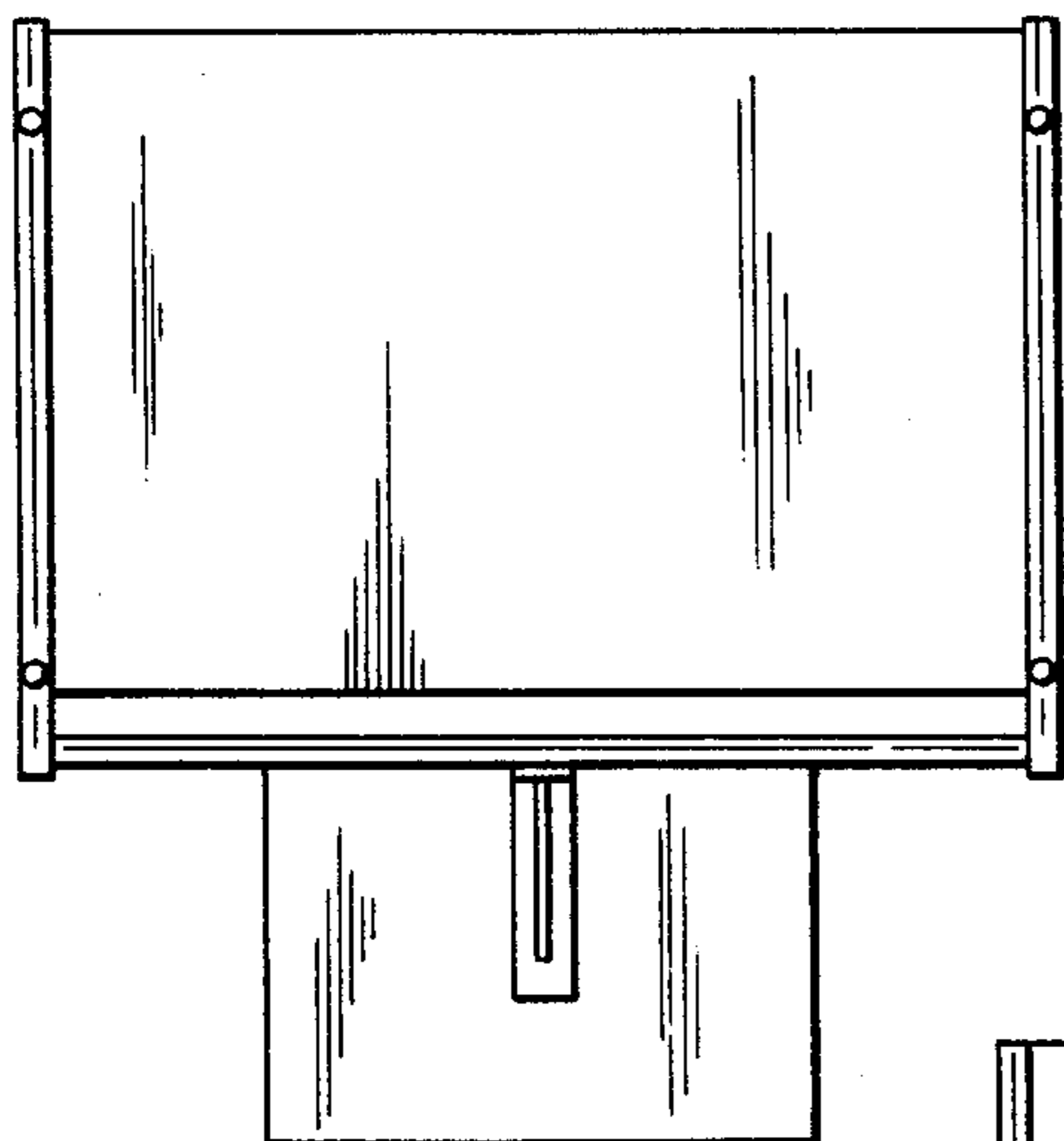


FIG. 7

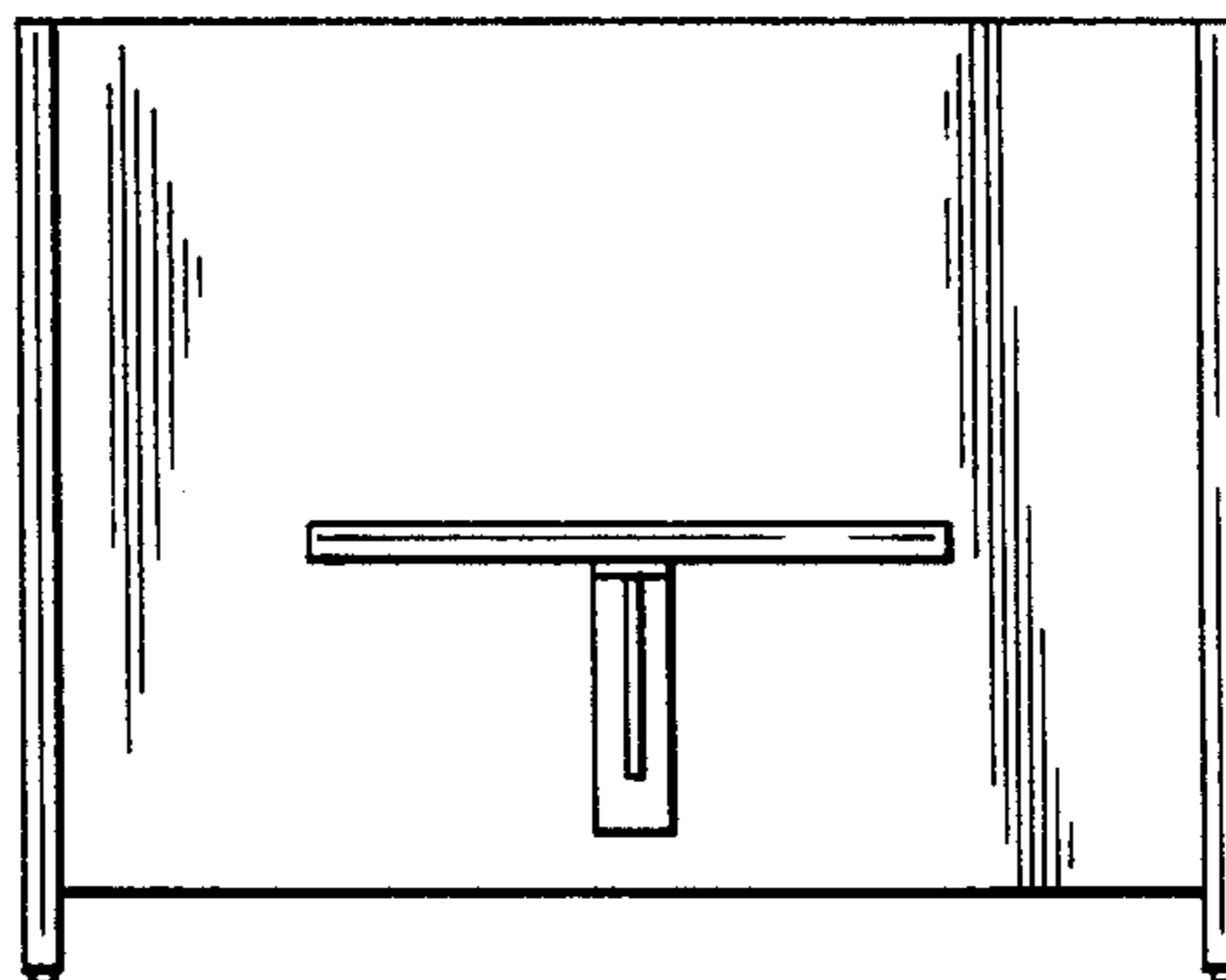


FIG. 8