

[54] SMALL ANIMAL HABITAT MODULE OR SIMILAR ARTICLE

[75] Inventor: John A. Molnar, Metuchen, N.J.

[73] Assignee: Metaframe Corporation

[**] Term: 14 Years

[21] Appl. No.: 869,157

[22] Filed: Jan. 13, 1978

[51] Int. Cl. D30-02

[52] U.S. Cl. D30/1

[58] Field of Search D30/1-5, D30/8, 41-99; 119/15

[56] References Cited

U.S. PATENT DOCUMENTS

D. 231,371	4/1974	Willinger et al.	D30/42
D. 232,036	7/1974	Willinger et al.	D30/42
D. 235,111	5/1975	Lovitz et al.	D30/1
D. 240,238	6/1976	Perkins et al.	D30/1

D. 240,306	6/1976	Sochowski et al.	D30/42
D. 246,914	1/1978	Dinnerstein et al.	D30/1
3,742,908	7/1973	Merino	119/15
3,789,799	2/1974	Orfei	119/15
3,865,082	2/1975	Lovitz et al.	119/15 X
3,958,534	5/1976	Perkins et al.	119/15
3,999,519	12/1976	Rodemeyer	119/15

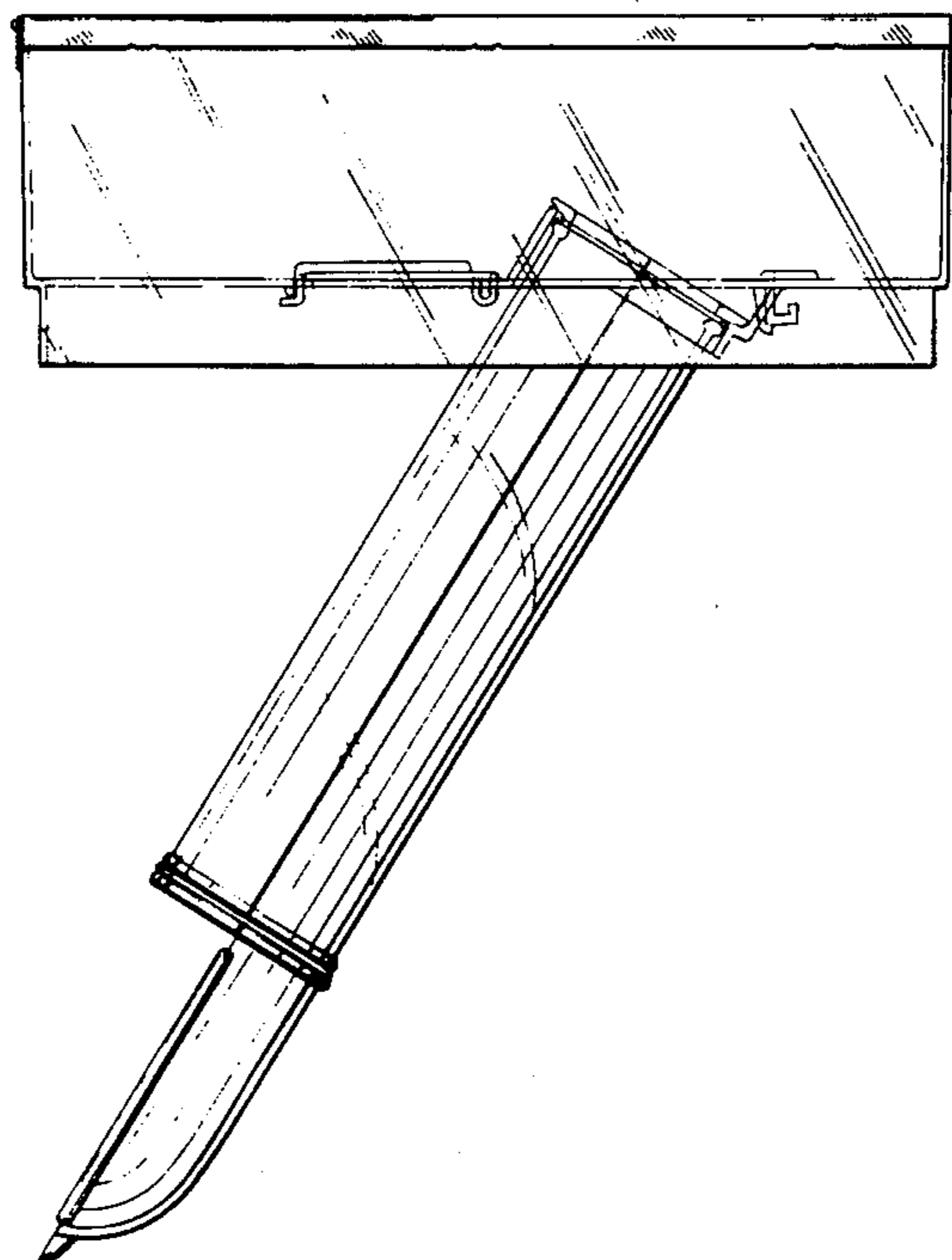
Primary Examiner—James R. Largen
Attorney, Agent, or Firm—John G. Mesaros

[57] CLAIM

The ornamental design for a small animal habitat module or similar article, as shown and described.

DESCRIPTION

FIG. 1 is a top plan view of a small animal habitat module showing my new design;
FIG. 2 is a front elevational view thereof, the rear being a mirror image of the front shown;
FIG. 3 is a bottom plan view thereof;
FIG. 4 is a right side elevational view thereof; and
FIG. 5 is a left side elevational view thereof.



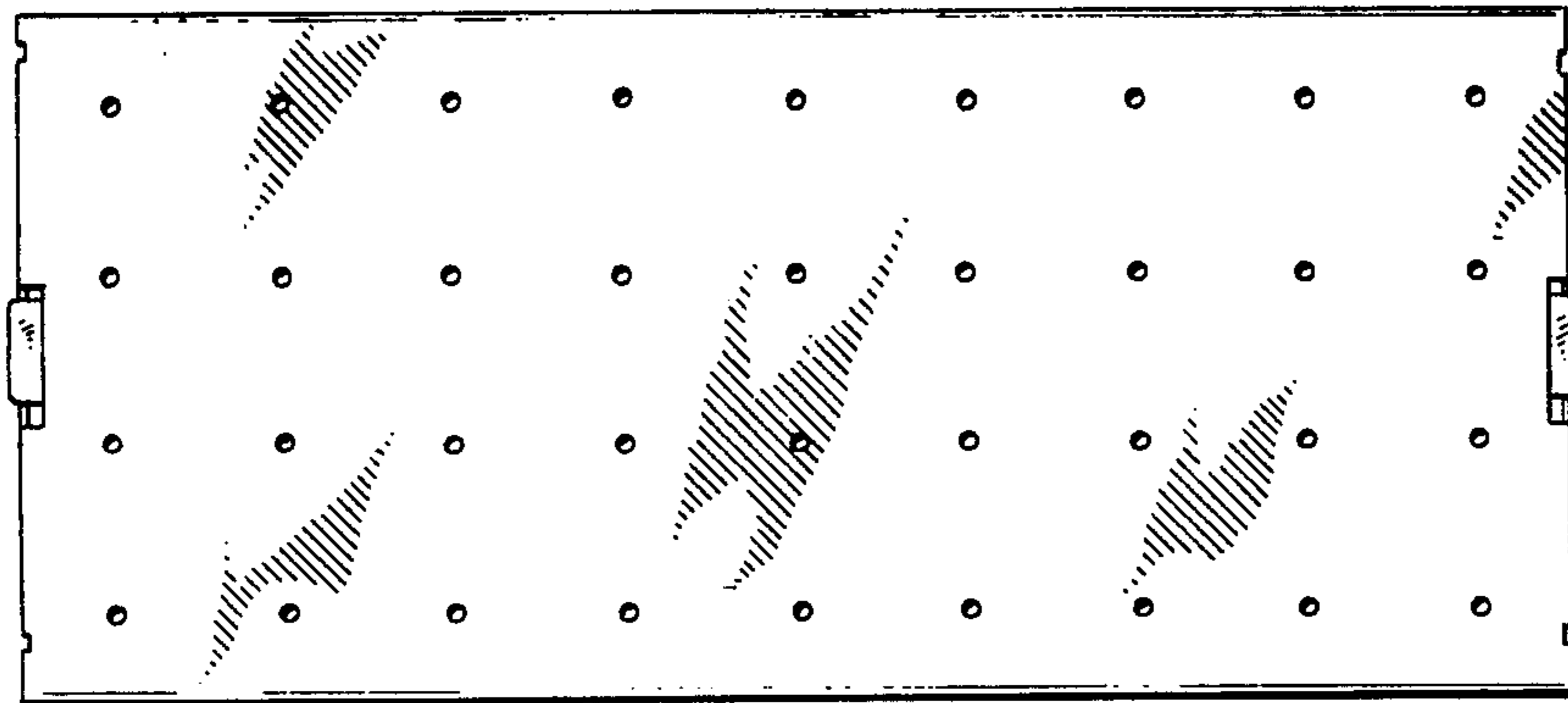


FIG. 1

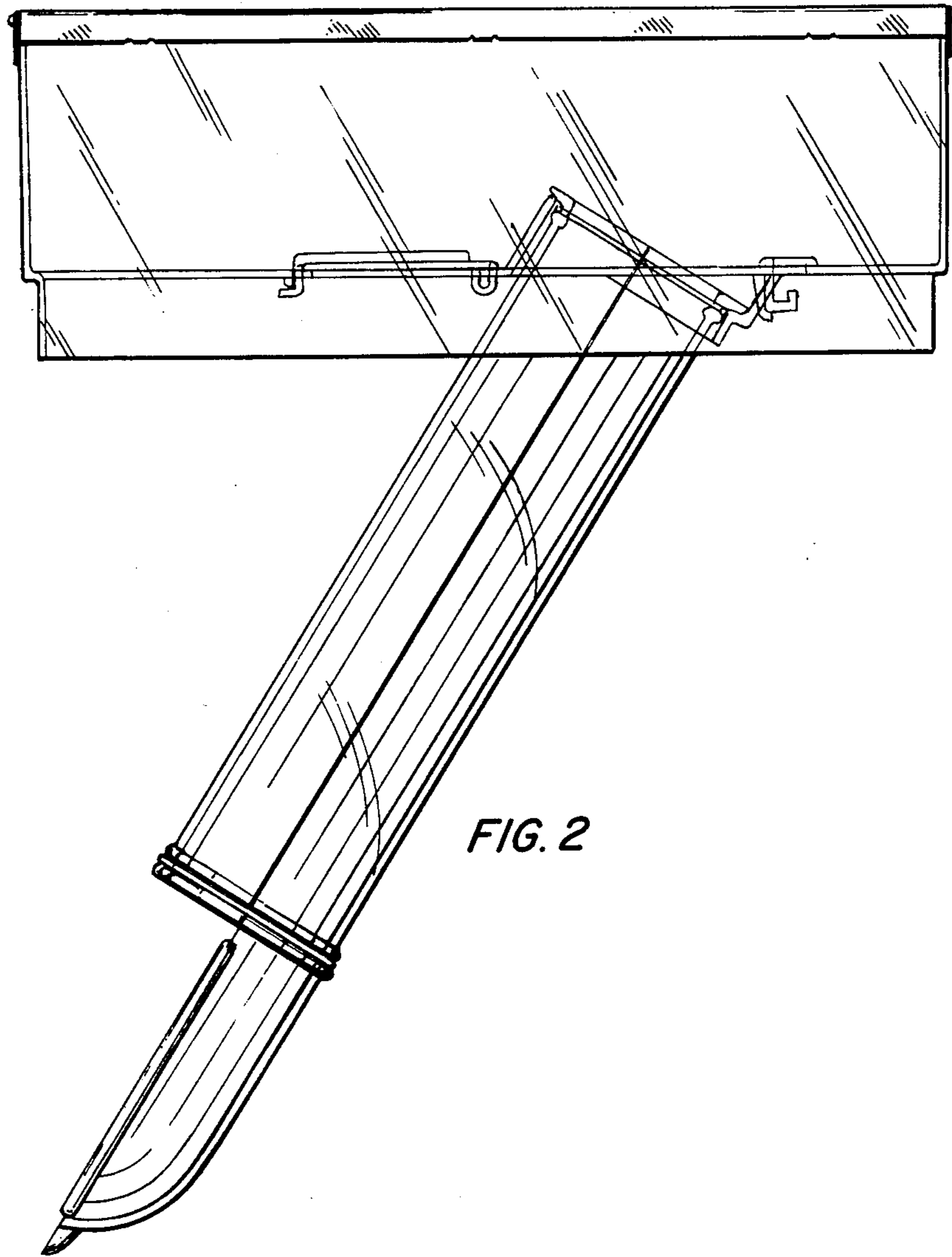


FIG. 2

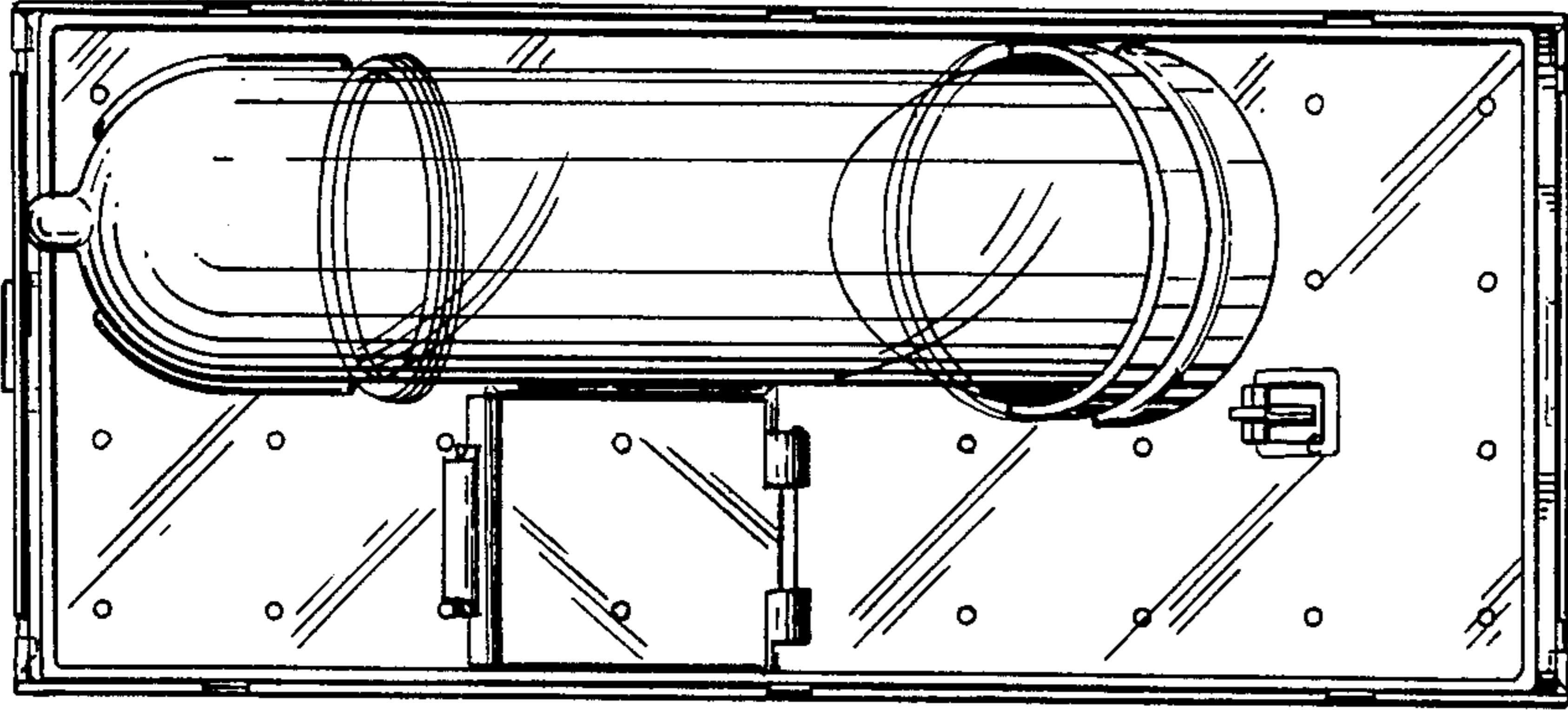


FIG. 3

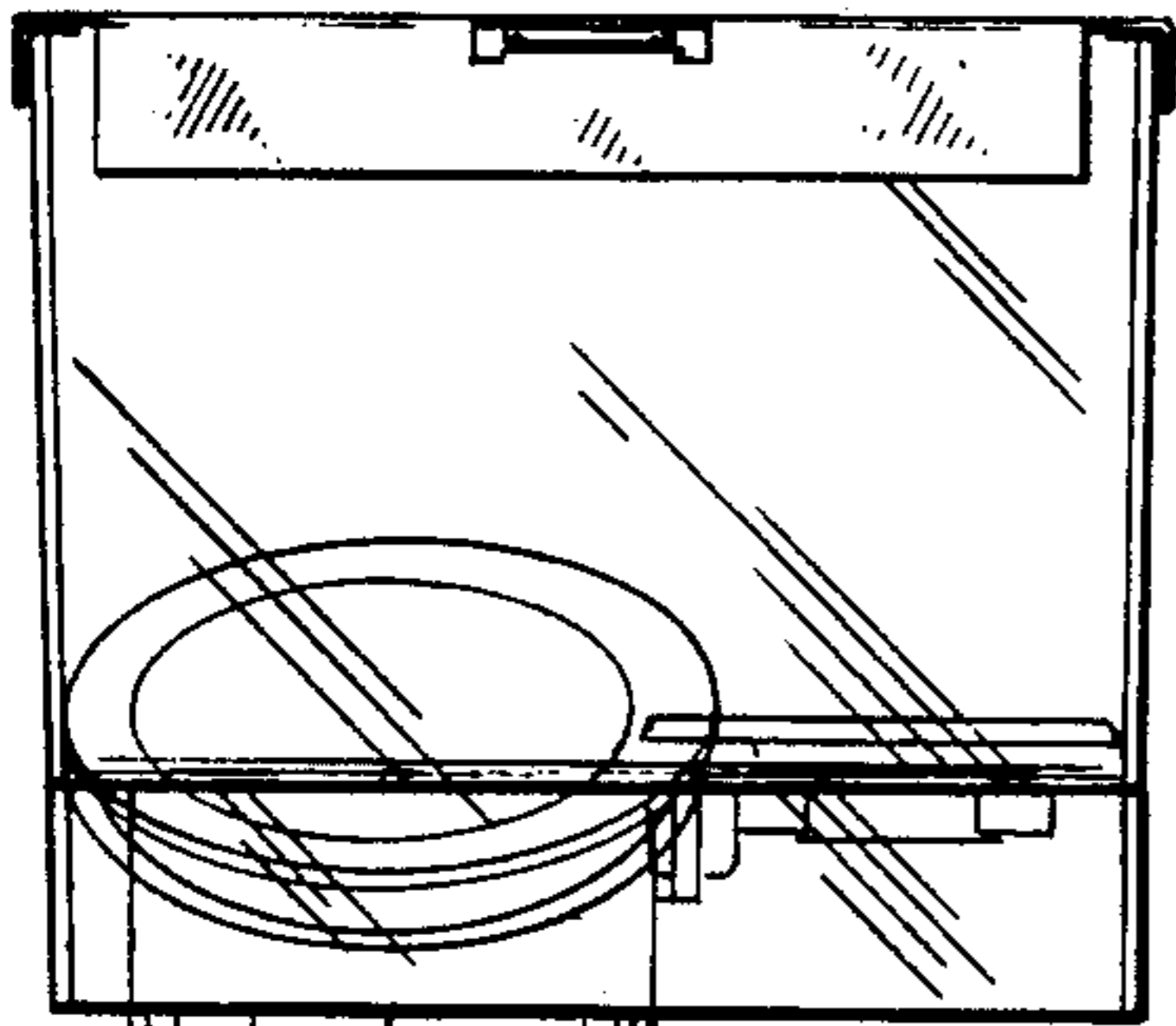


FIG. 4

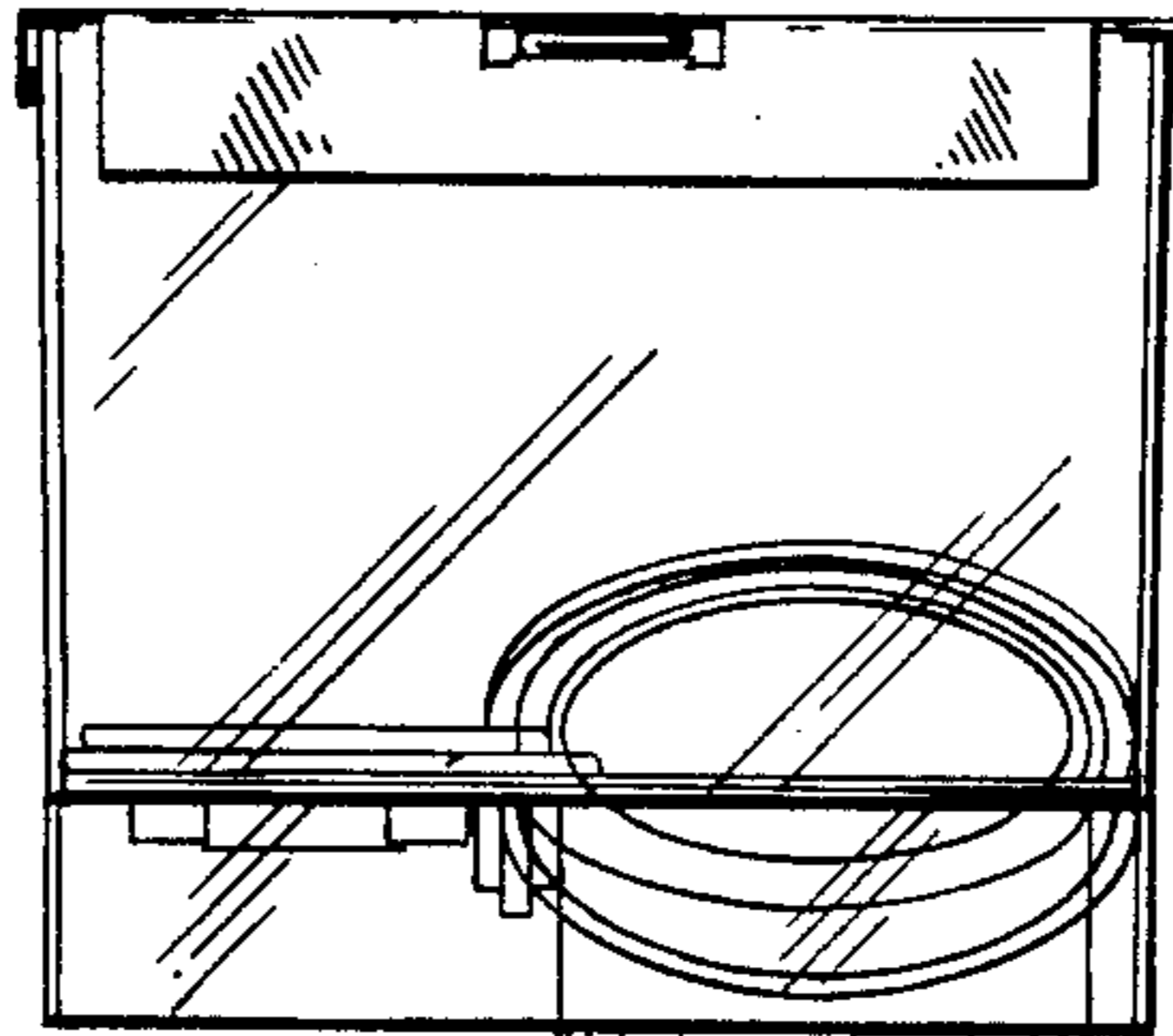


FIG. 5

