

[54] SWIMMING POOL COPING MEMBER OR SIMILAR ARTICLE

[75] Inventors: James T. Cribben, Mechanicsburg; Richard A. Feeser, Mt. Holly Springs, both of Pa.

[73] Assignee: Capitol Products Corporation, Mechanicsburg, Pa.

[**] Term: 14 Years

[21] Appl. No.: 34,865

[22] Filed: Apr. 30, 1979

[51] Int. Cl. D25-99

[52] U.S. Cl. D25/74; D25/2; D25/73

[58] Field of Search D25/2, 73, 74, 75, 76; 4/172, 172.17, 172.19, 172.21; 52/165

[56] References Cited

U.S. PATENT DOCUMENTS

D. 232,433	8/1974	Scourtes	D25/2 X
3,518,704	7/1970	Shanni	D25/2 X
3,530,512	9/1970	McBride	D25/2 X
4,062,158	12/1977	Kaufmann et al.	D25/2 X

Primary Examiner—A. Hugo Word
Attorney, Agent, or Firm—Donald L. Johnson; John F. Sieberth; Paul H. Leonard

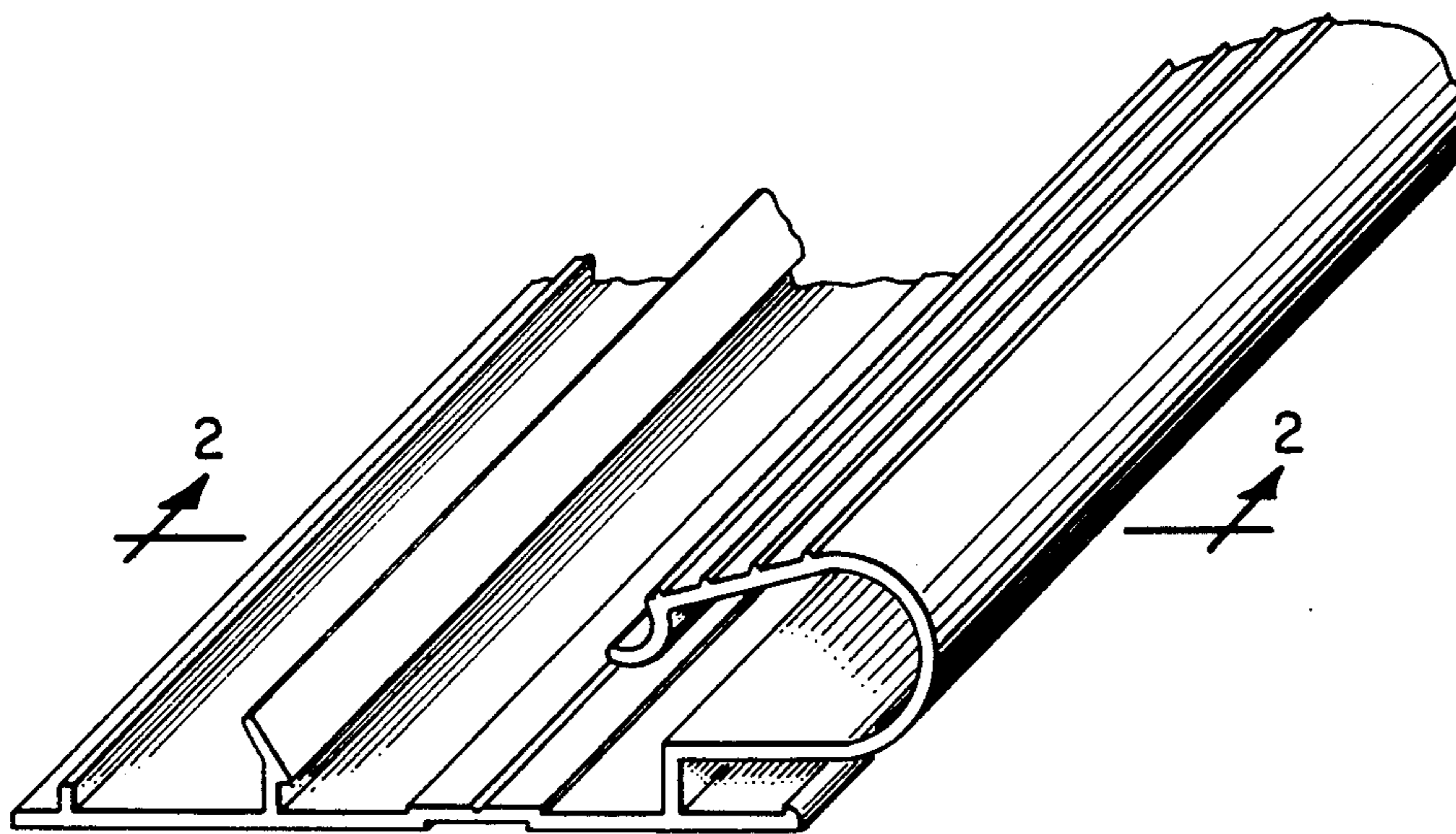
[57] CLAIM

The ornamental design for a swimming pool coping member or similar article, substantially as shown and described.

DESCRIPTION

FIG. 1 is a perspective view of a coping member or similar article embodying our new design, shown fragmentarily to indicate indeterminate length.

FIG. 2 is a sectional view thereof, taken along line 2—2 of FIG. 1.



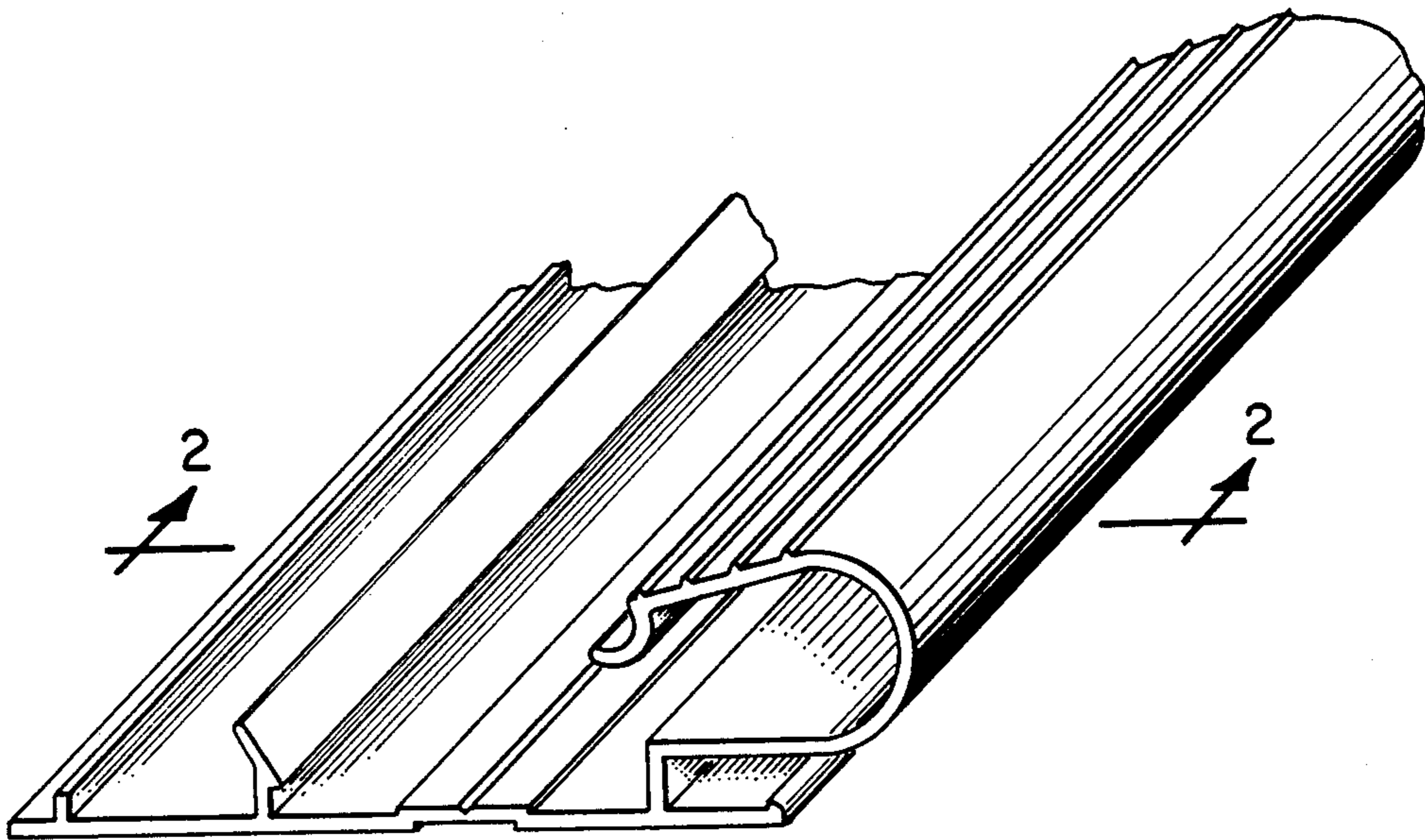


FIG. 1.

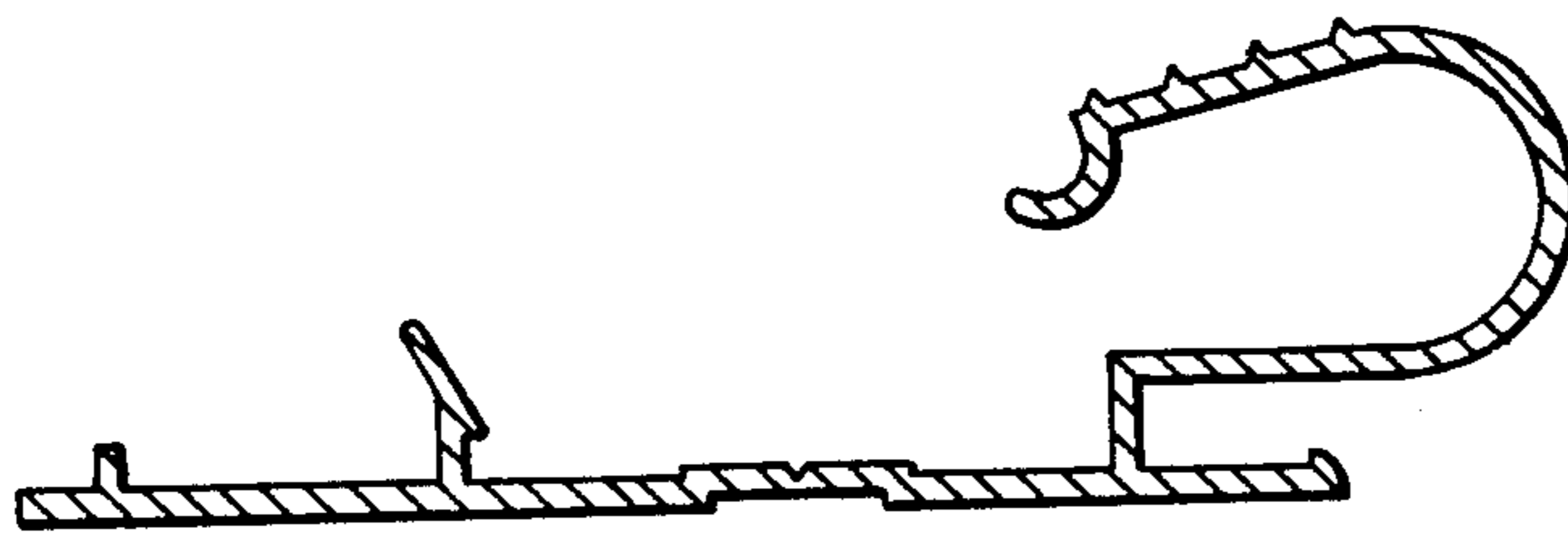


FIG. 2.