

[54] COMBINED CHARCOAL IGNITER AND HANDLE THEREFOR

[76] Inventor: Theodore Noose, 4401 W. Verdugo, Burbank, Calif. 91505

[**] Term: 14 Years

[21] Appl. No.: 946,663

[22] Filed: Sep. 28, 1978

[51] Int. Cl. D23-03

[52] U.S. Cl. D23/90.1

[58] Field of Search D23/90.1; 126/25 R, 126/25 A, 25 AA, 25 B, 25 C, 29, 30, 9 R, 9 A, 9 B; 294/9, 10, 12

[56] References Cited

U.S. PATENT DOCUMENTS

3,192,918	7/1965	Ridgway	126/25 B
3,799,141	3/1974	Simmer	126/25 B
3,903,866	9/1975	Polinski	126/25 B
4,026,265	5/1977	Spadaro	126/25 B

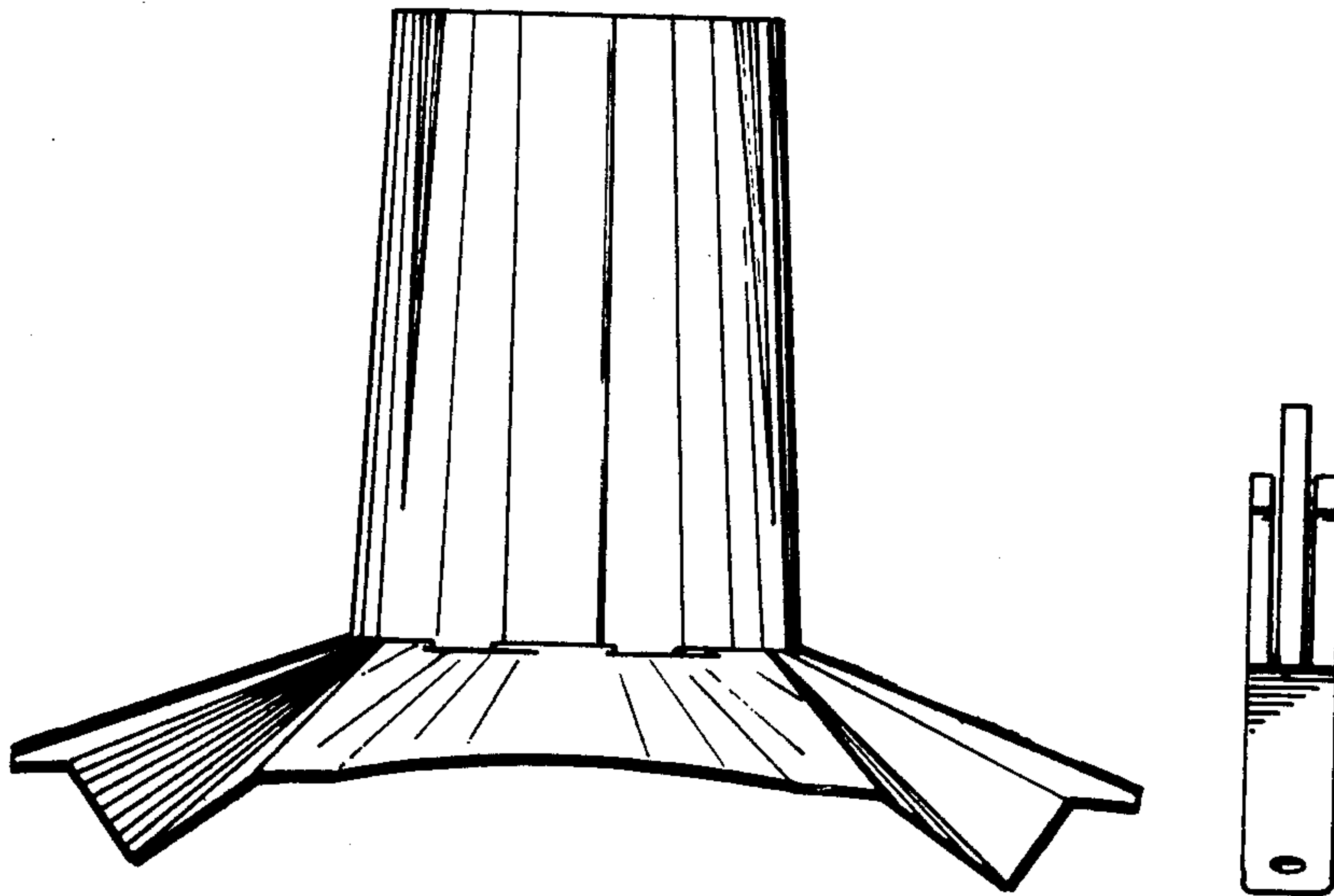
Primary Examiner—Catherine E. Kemper
Attorney, Agent, or Firm—Harvey C. Nienow

[57] CLAIM

The ornamental design for a combined charcoal igniter and handle therefor, as shown and described.

DESCRIPTION

FIG. 1 is a front elevational view of a combined charcoal igniter and handle showing my new design; FIG. 2 is a rear elevational view thereof; FIG. 3 is a top plan view thereof; FIG. 4 is a bottom plan view thereof; and FIG. 5 is a side elevational view of the handle, the opposite side being a mirror image thereof.



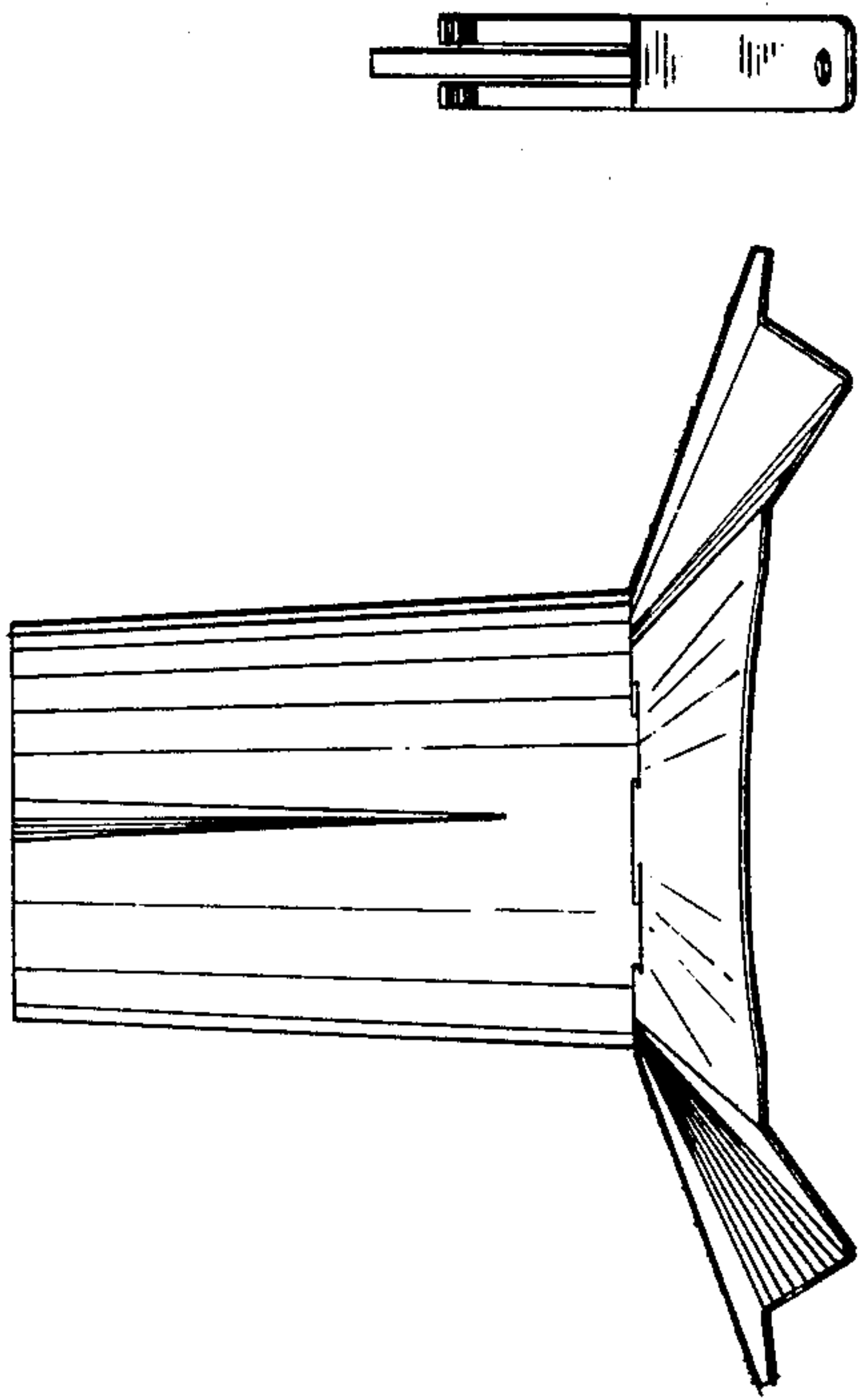


FIG. 1

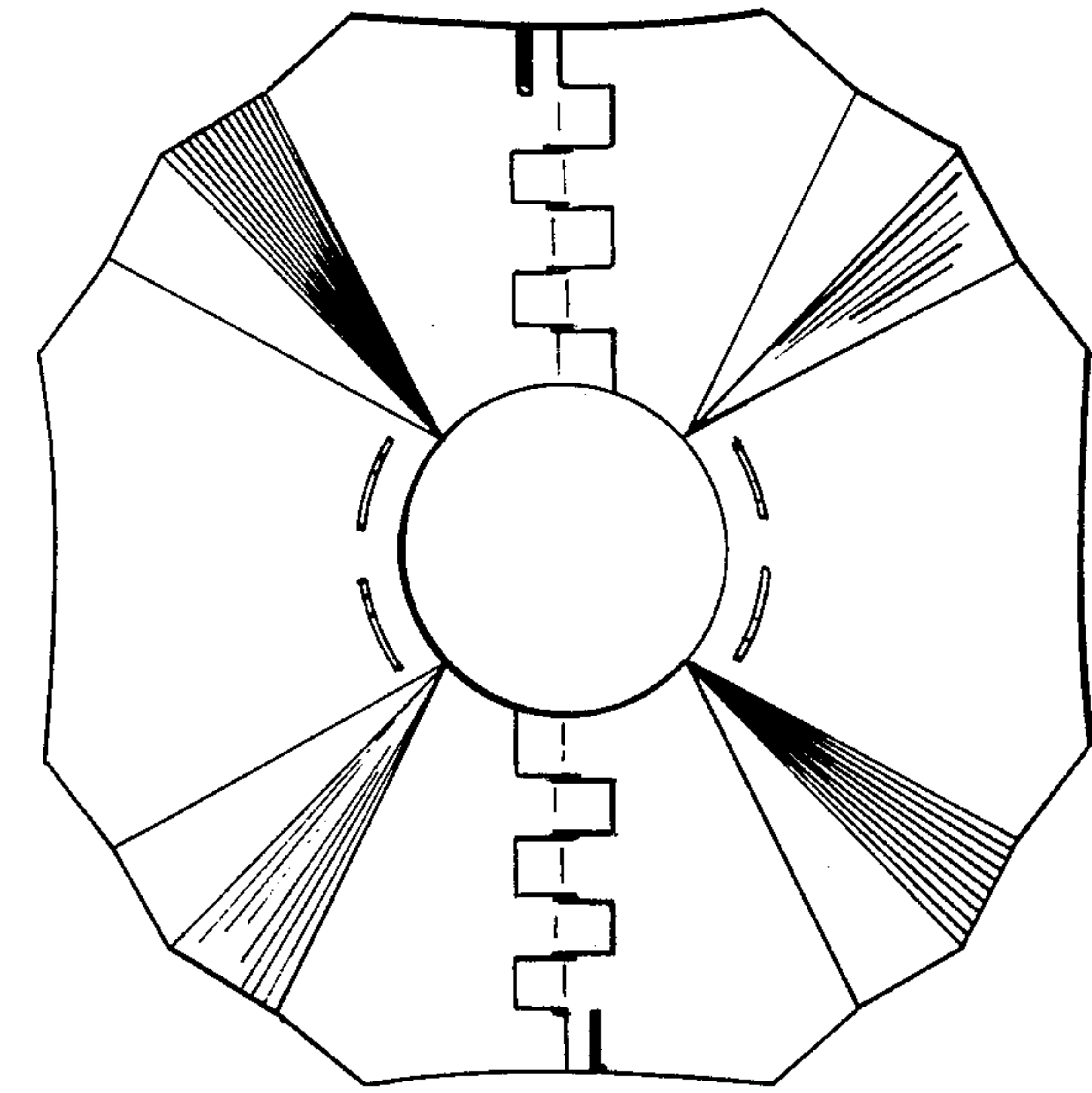


FIG. 3

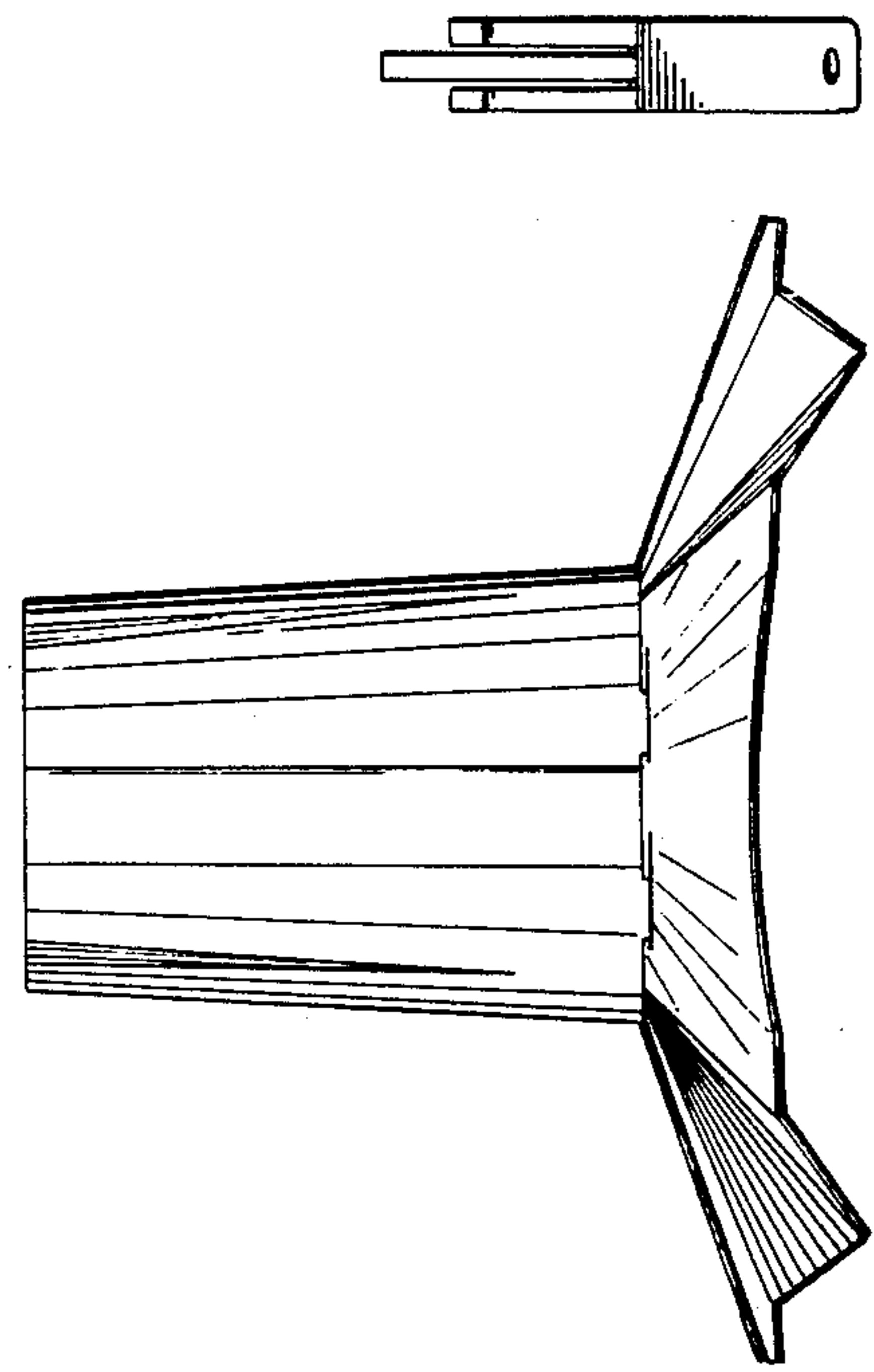


FIG. 2

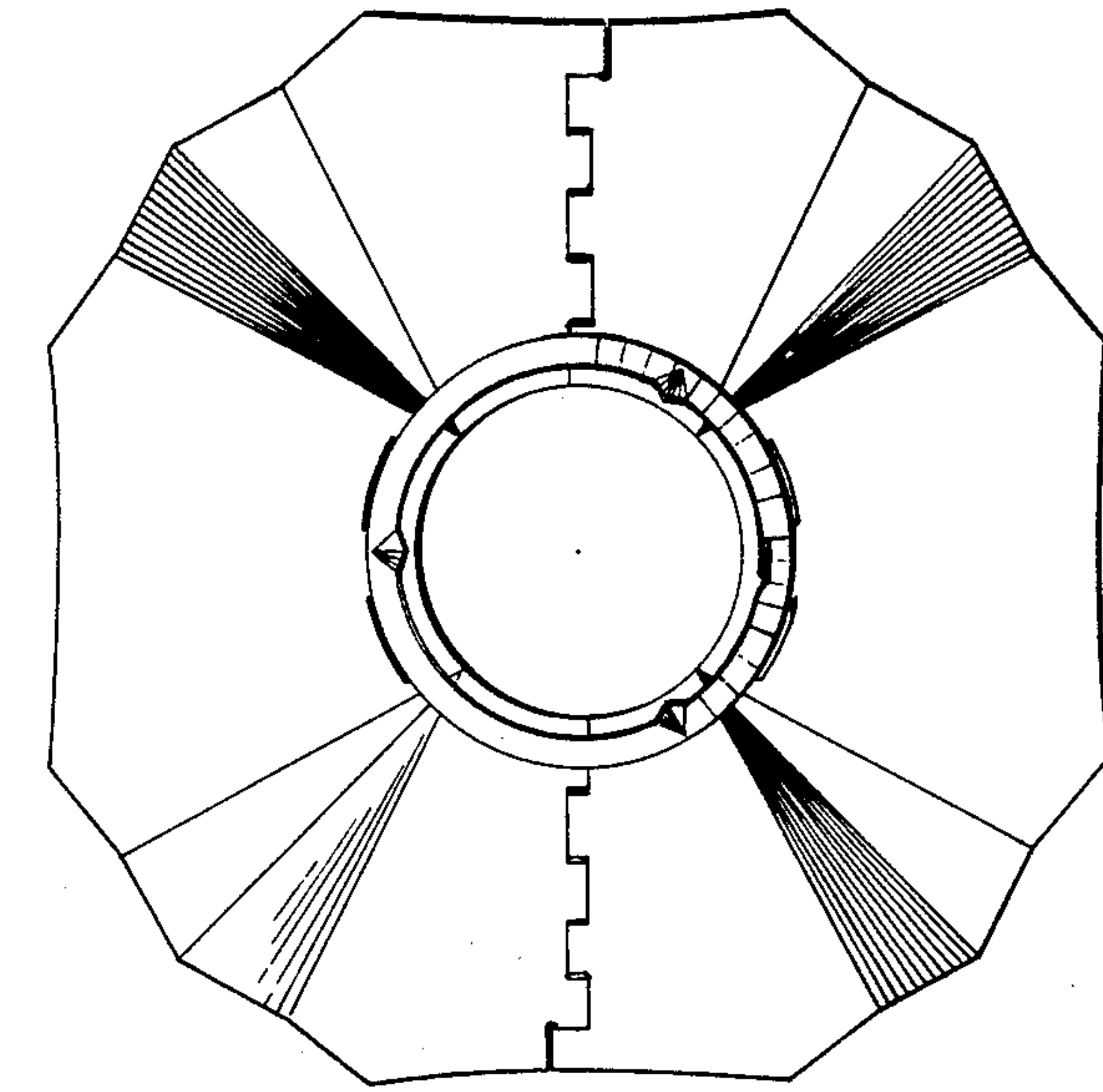


FIG. 4



FIG. 5

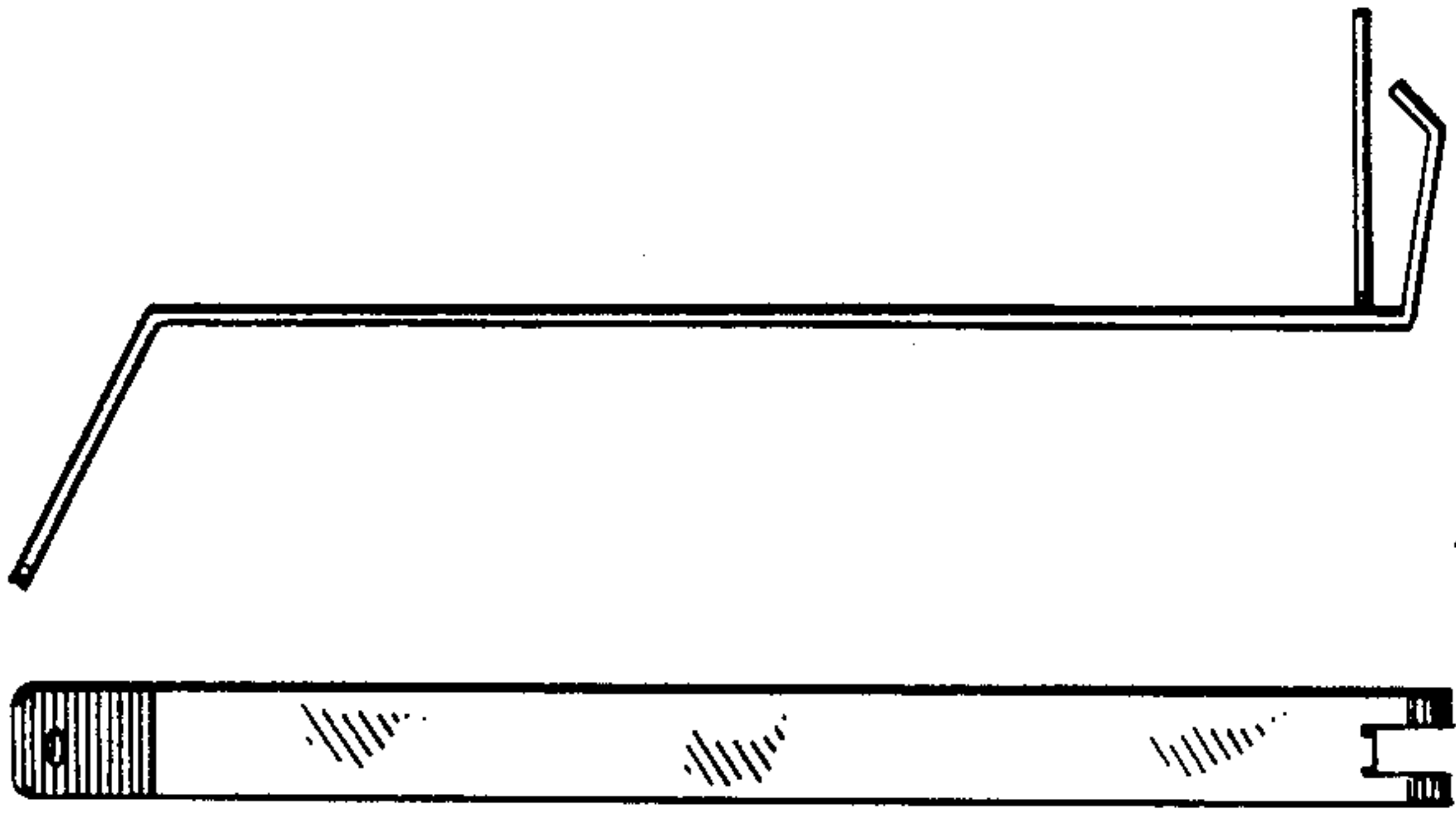


FIG. 5