

[54] FAUCET HANDLE OR THE LIKE

[75] Inventor: Gilles Thévenot, Baden-Baden, Fed. Rep. of Germany

[73] Assignee: Friedrich Grohe Armaturenfabrik GmbH & Co., Fed. Rep. of Germany

[**] Term: 14 Years

[21] Appl. No.: 59,511

[22] Filed: Jul. 23, 1979

[51] Int. Cl. D23-01

[52] U.S. Cl. D23/28; D8/312

[58] Field of Search D23/23-33; D8/310-314

[56] References Cited

U.S. PATENT DOCUMENTS

- D. 189,712 1/1961 Chapman D23/28
- D. 197,986 4/1964 Schlago D23/28 X

- D. 207,898 6/1967 Daman D23/28
- D. 207,986 6/1967 Smalley D23/28
- D. 211,638 7/1968 Jones et al. D23/28
- D. 213,441 3/1969 Frankel et al. D23/28
- D. 227,251 6/1973 Botefur et al. D23/28
- D. 241,843 10/1976 Shames et al. D23/28

Primary Examiner—James R. Largen
Attorney, Agent, or Firm—James B. Raden

[57] CLAIM

The ornamental design for a faucet handle or the like, substantially as shown and described.

DESCRIPTION

FIG. 1 is a perspective view of a faucet handle or the like showing my new design;
 FIG. 2 is side elevational view thereof;
 FIG. 3 is a side elevational view taken 90° from the side shown in FIG. 2;
 FIG. 4 is a cross sectional view taken on line 4—4 of FIG. 1; and
 FIG. 5 is an enlarged bottom plan view thereof.

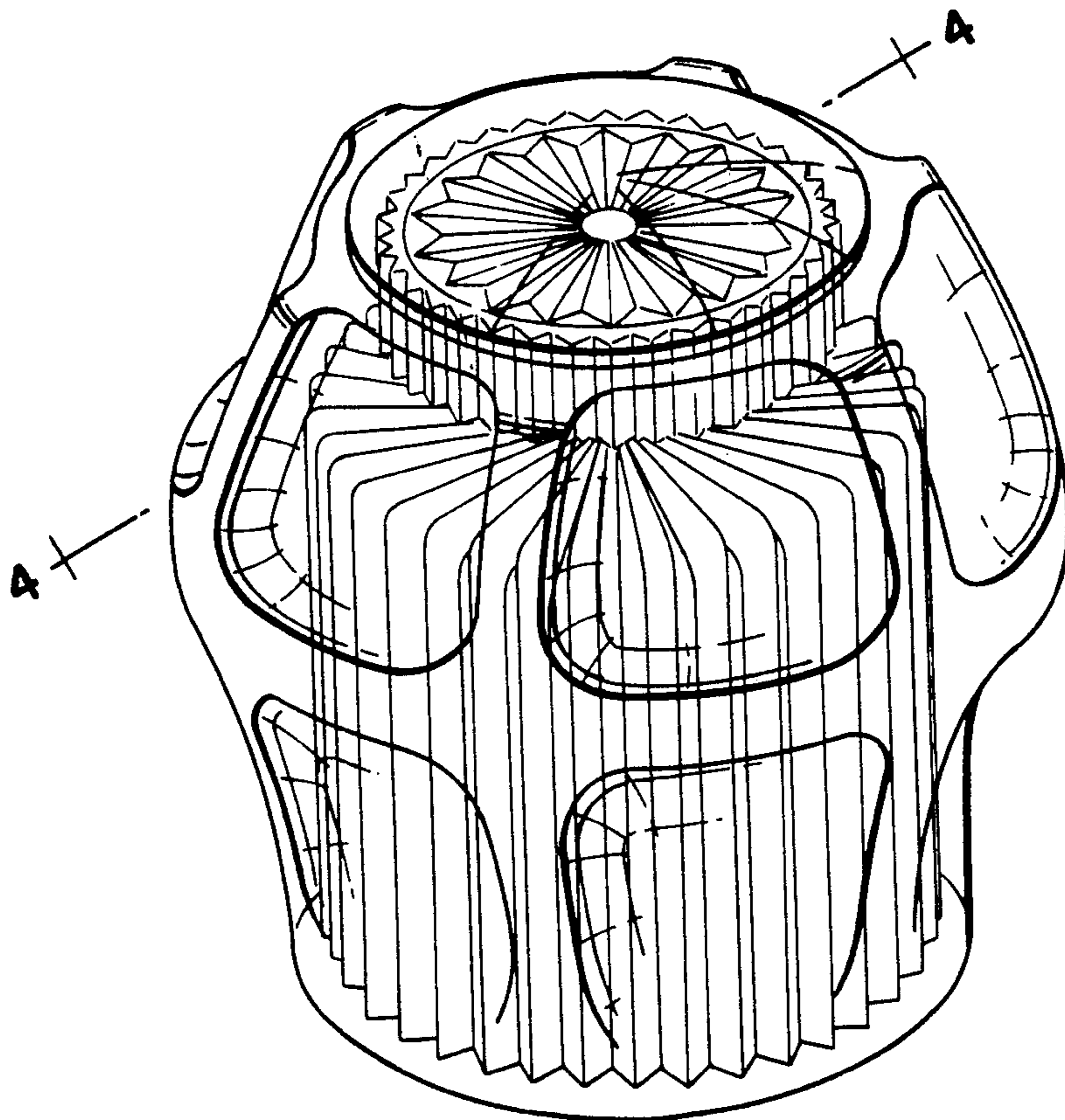


Fig. 1.

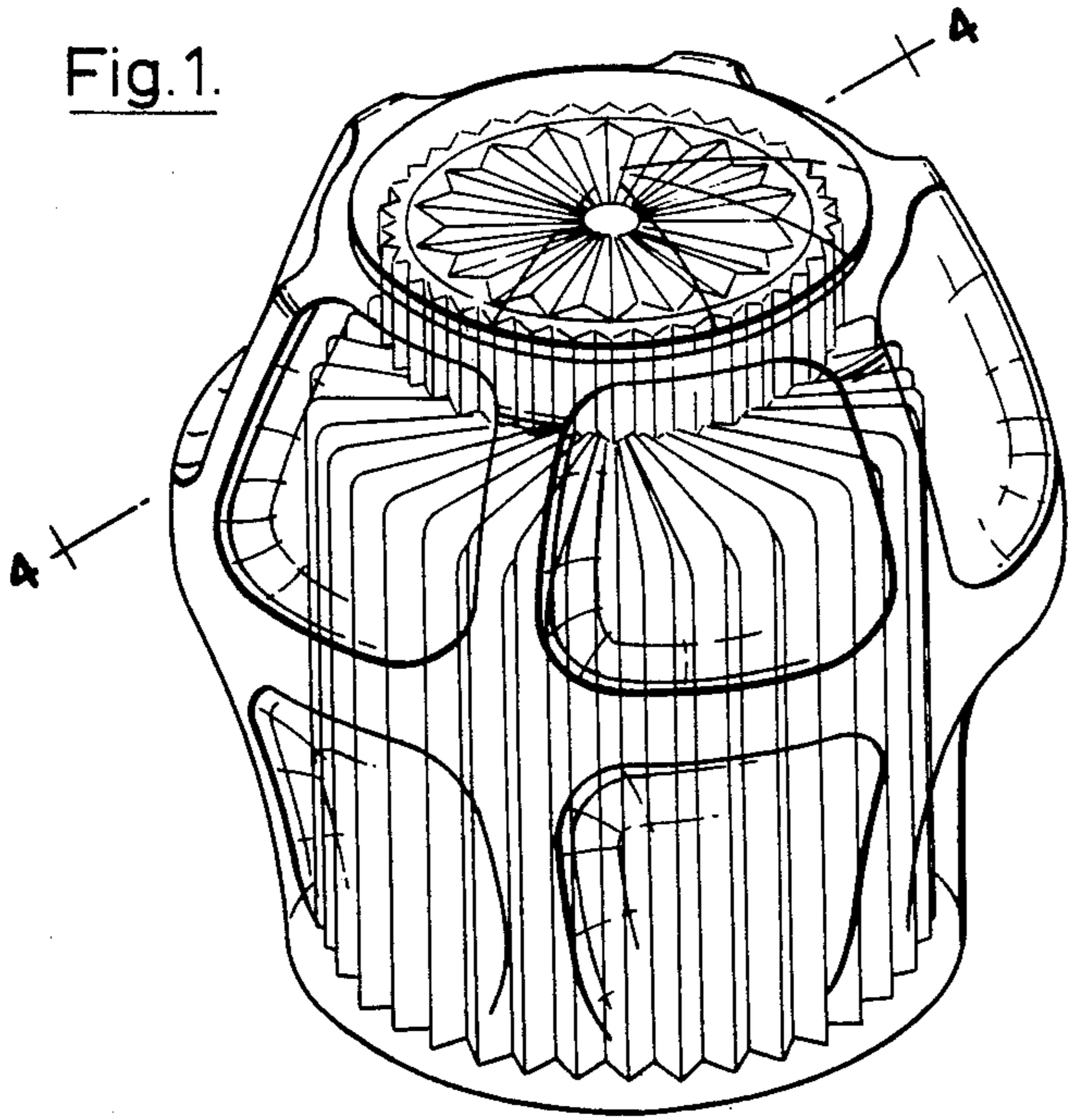


Fig. 2.

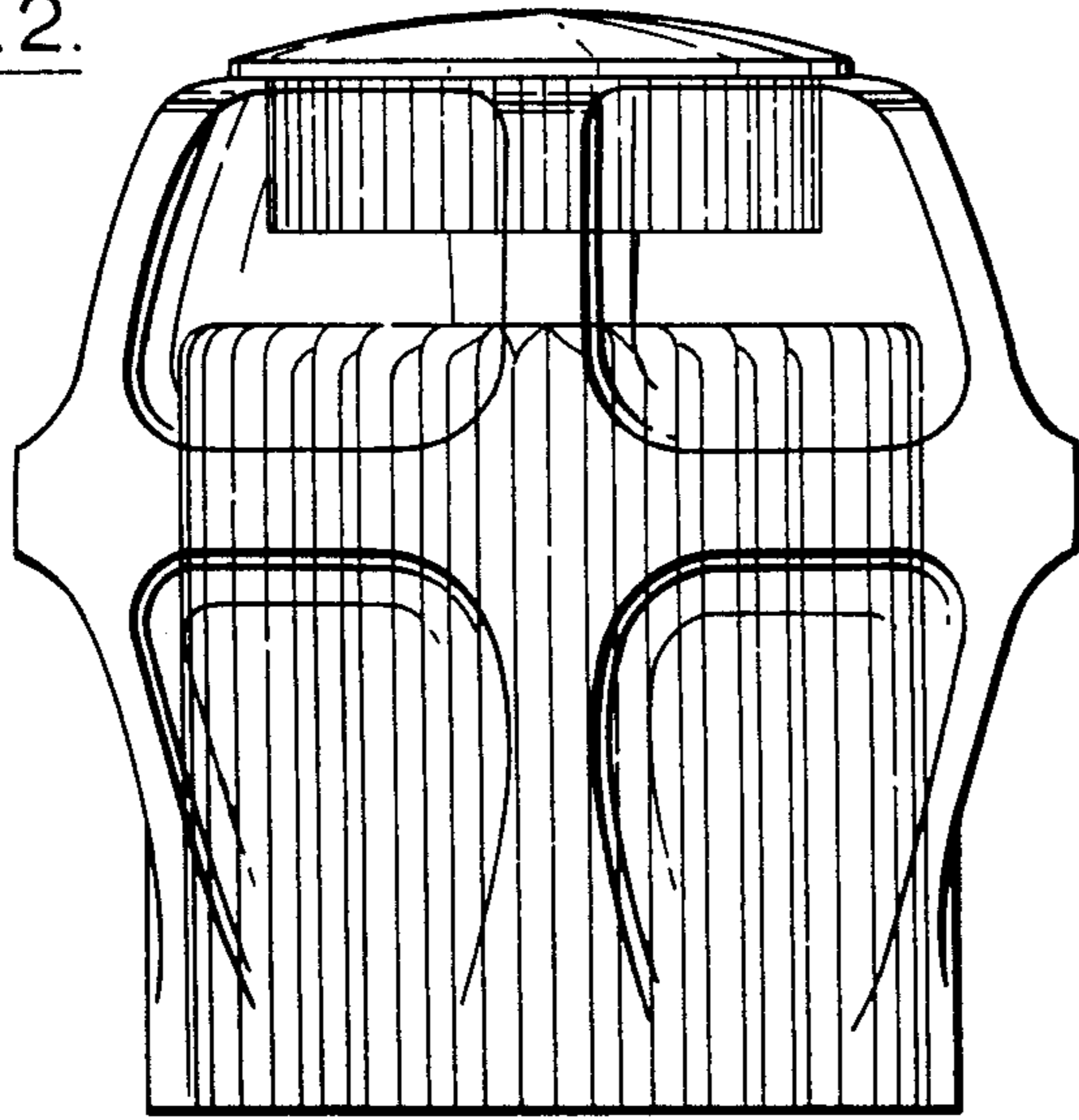


Fig. 3.

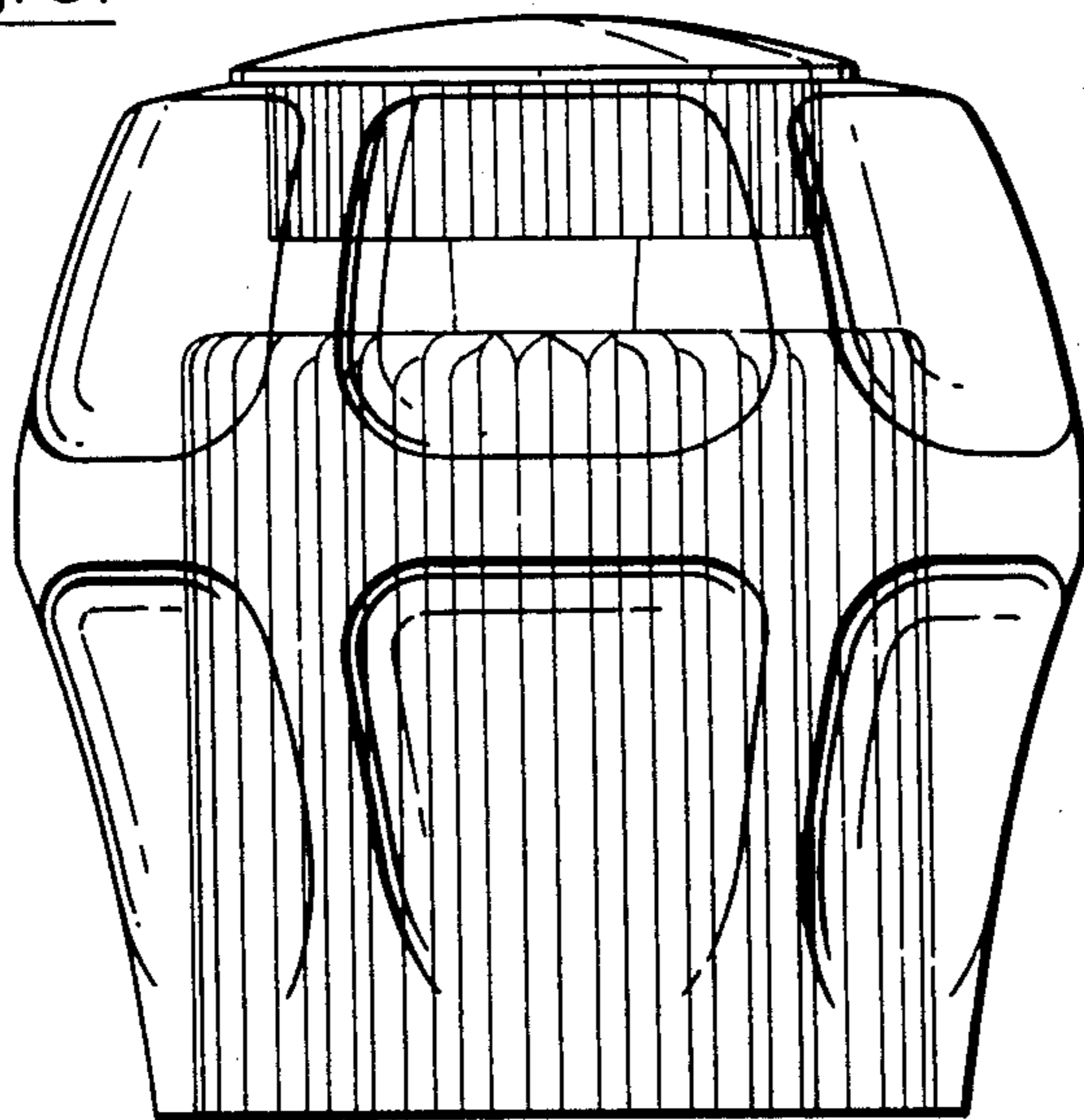


Fig. 4.

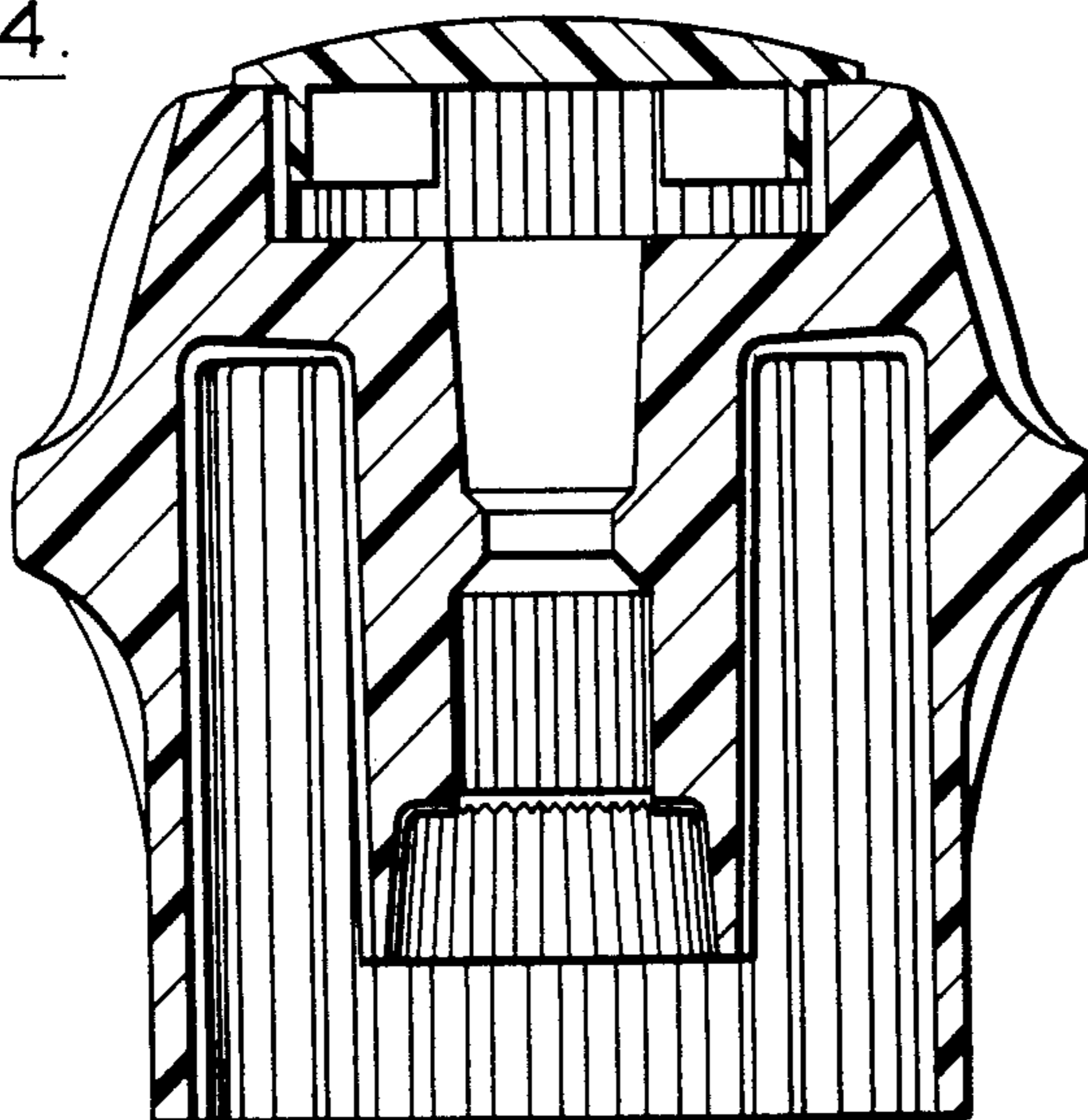
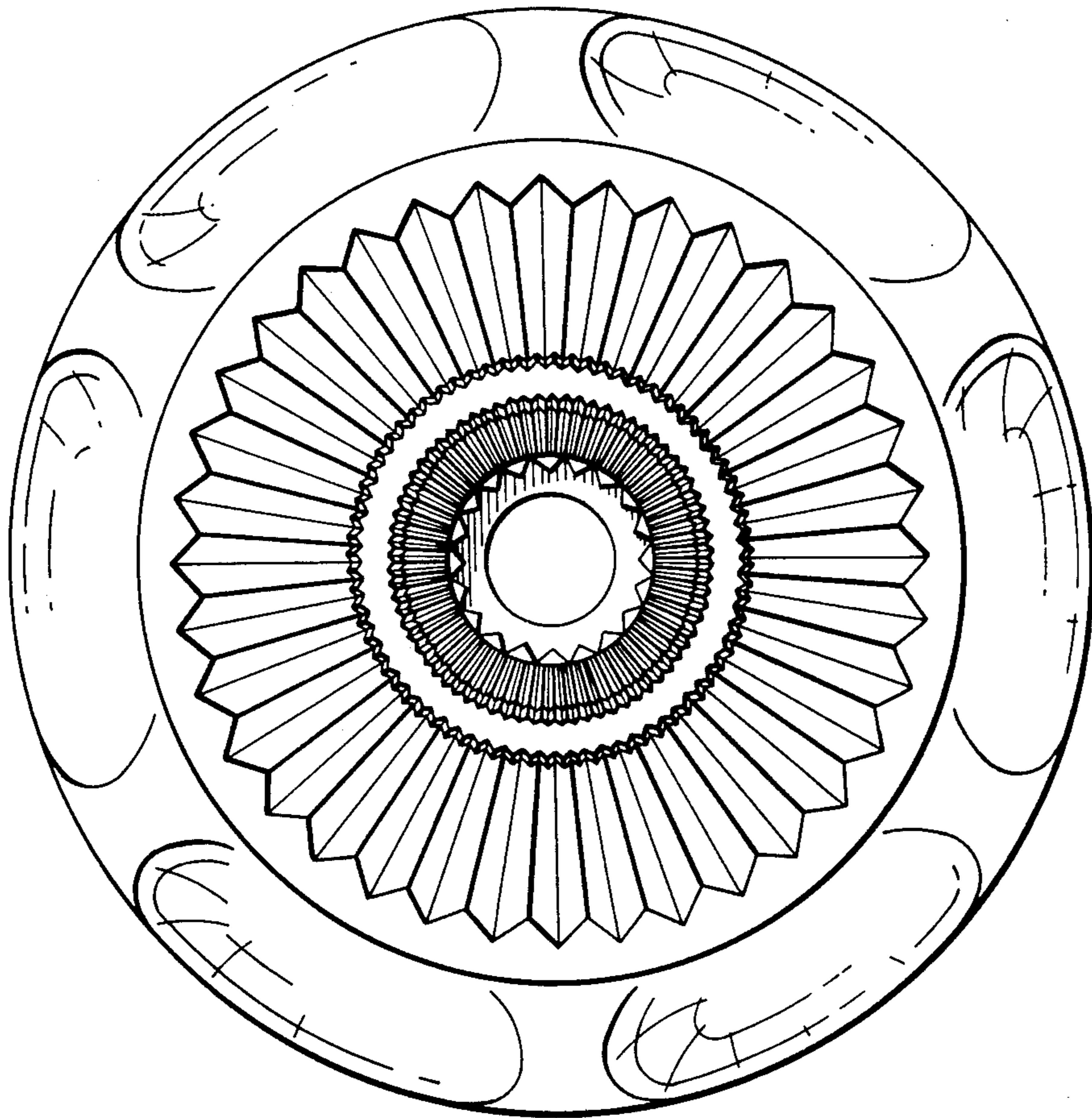


Fig. 5.



UNITED STATES PATENT AND TRADEMARK OFFICE
CERTIFICATE OF CORRECTION

PATENT NO. : Des. 258,524
DATED : March 10, 1981
INVENTOR(S) : Gilles Thevenot

It is certified that error appears in the above-identified patent and that said Letters Patent is hereby corrected as shown below:

On the title page Insert

-- [30] Foreign Application Priority Data

Jan. 24, 1979 Germany MR6904 --

Signed and Sealed this

Third Day of August 1982

[SEAL]

Attest:

Attesting Officer

GERALD J. MOSSINGHOFF

Commissioner of Patents and Trademarks