

[54] LAVATORY FAUCET

[56]

References Cited

U.S. PATENT DOCUMENTS

[75] Inventor: Gilles Thévenot, Baden-Baden, Fed. Rep. of Germany
[73] Assignee: Friedrich Grohe Armaturenfabrik GmbH & Co., Fed. Rep. of Germany

D. 193,757	10/1962	Armstrong	D23/23
D. 193,922	10/1962	Ross et al.	D23/23
D. 200,754	3/1965	Landell	D23/23
D. 203,324	12/1965	Landell	D23/25
D. 219,780	1/1971	Niemann	D23/23
D. 237,615	11/1975	Saporito	D23/25

Primary Examiner—James R. Largen
Attorney, Agent, or Firm—James B. Raden

[**] Term: 14 Years

[57]

CLAIM

The ornamental design for a lavatory faucet, substantially as shown and described.

[21] Appl. No.: 59,507

DESCRIPTION

[22] Filed: Jul. 23, 1979

FIG. 1 is a front perspective view of a lavatory faucet showing my new design;
FIG. 2 is a rear view thereof;
FIG. 3 is a bottom plan view thereof; and
FIG. 4 is a side view thereof.

[51] Int. Cl. D23—01
[52] U.S. Cl. D23/25
[58] Field of Search D23/23—33

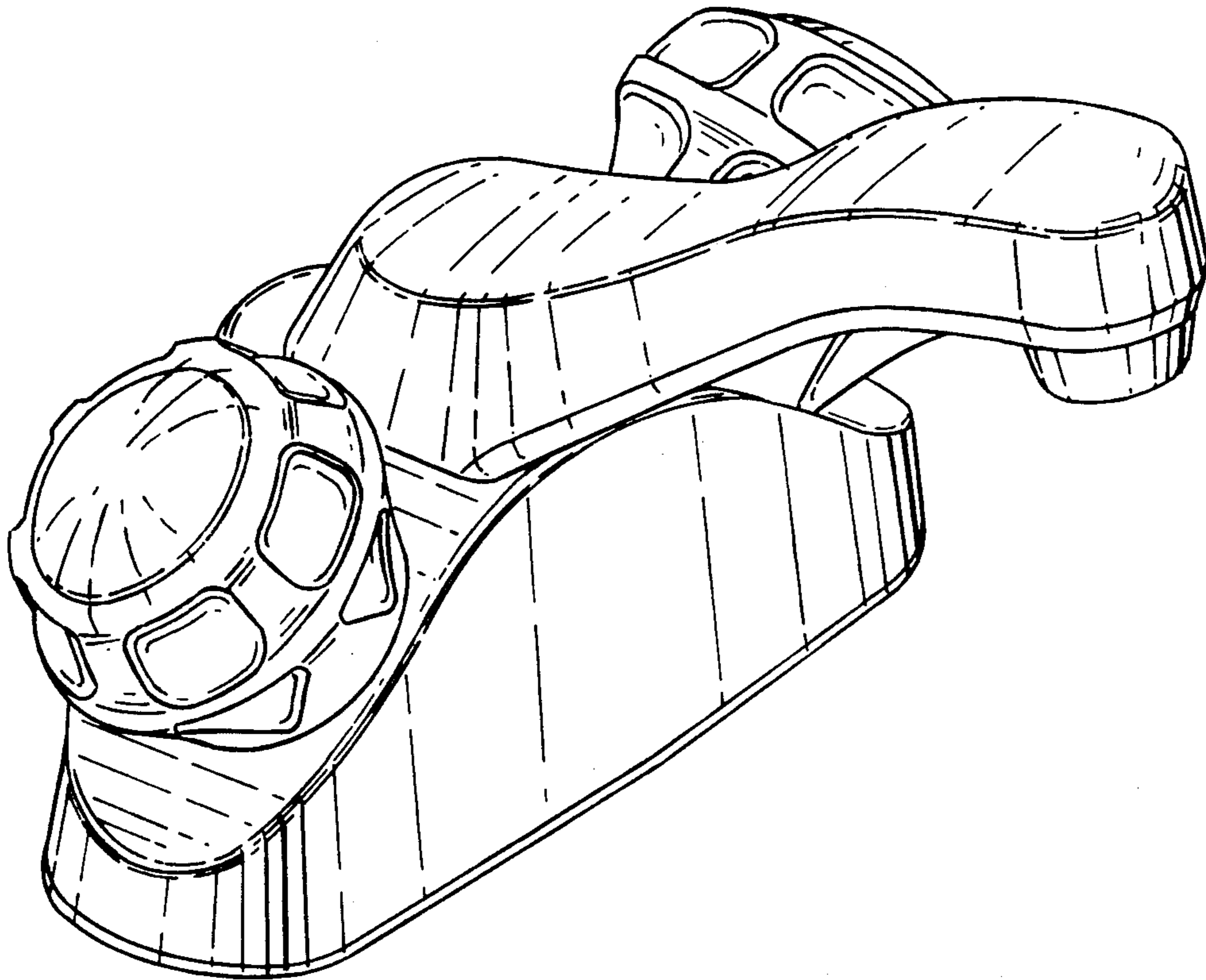


Fig. 1.

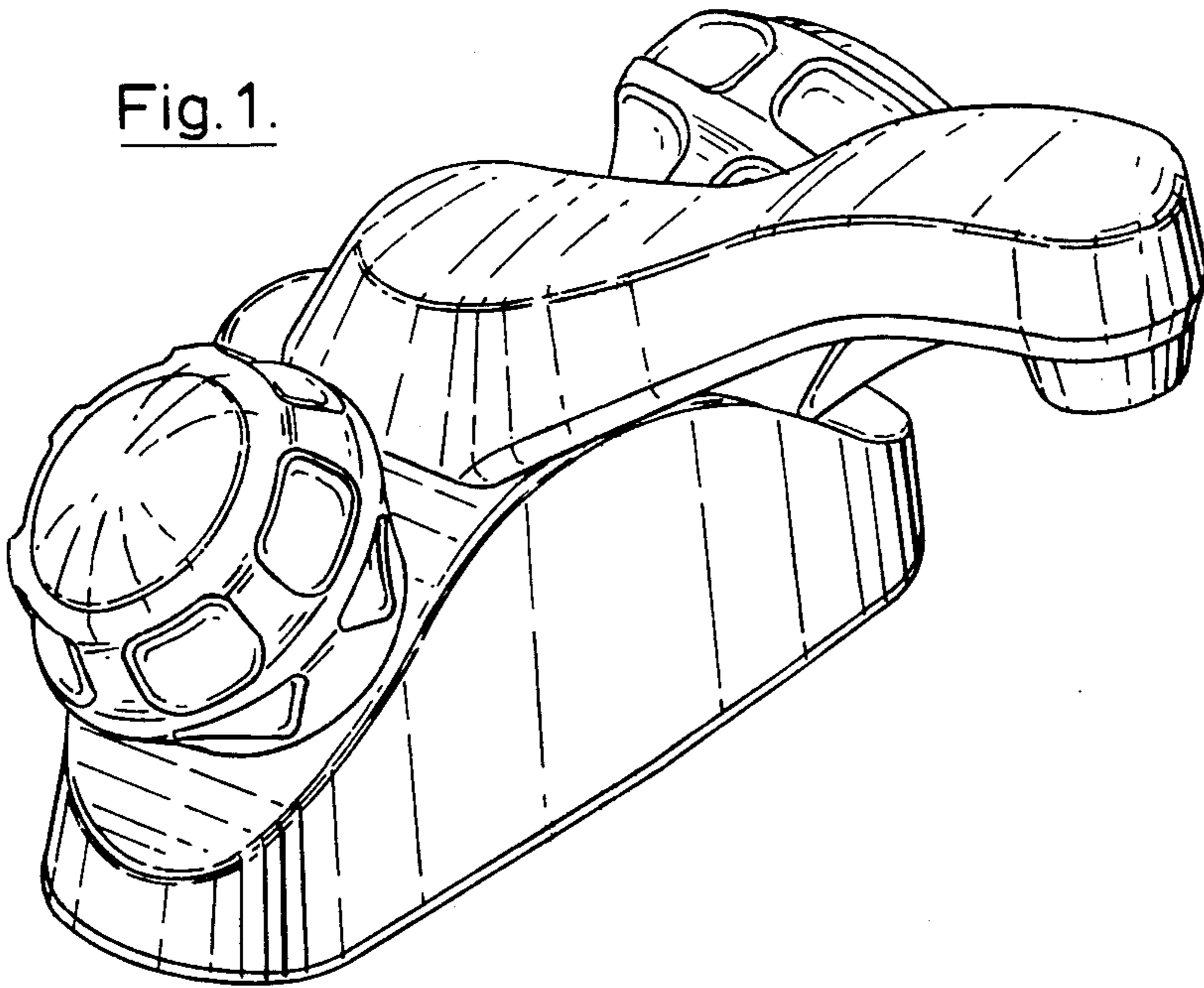
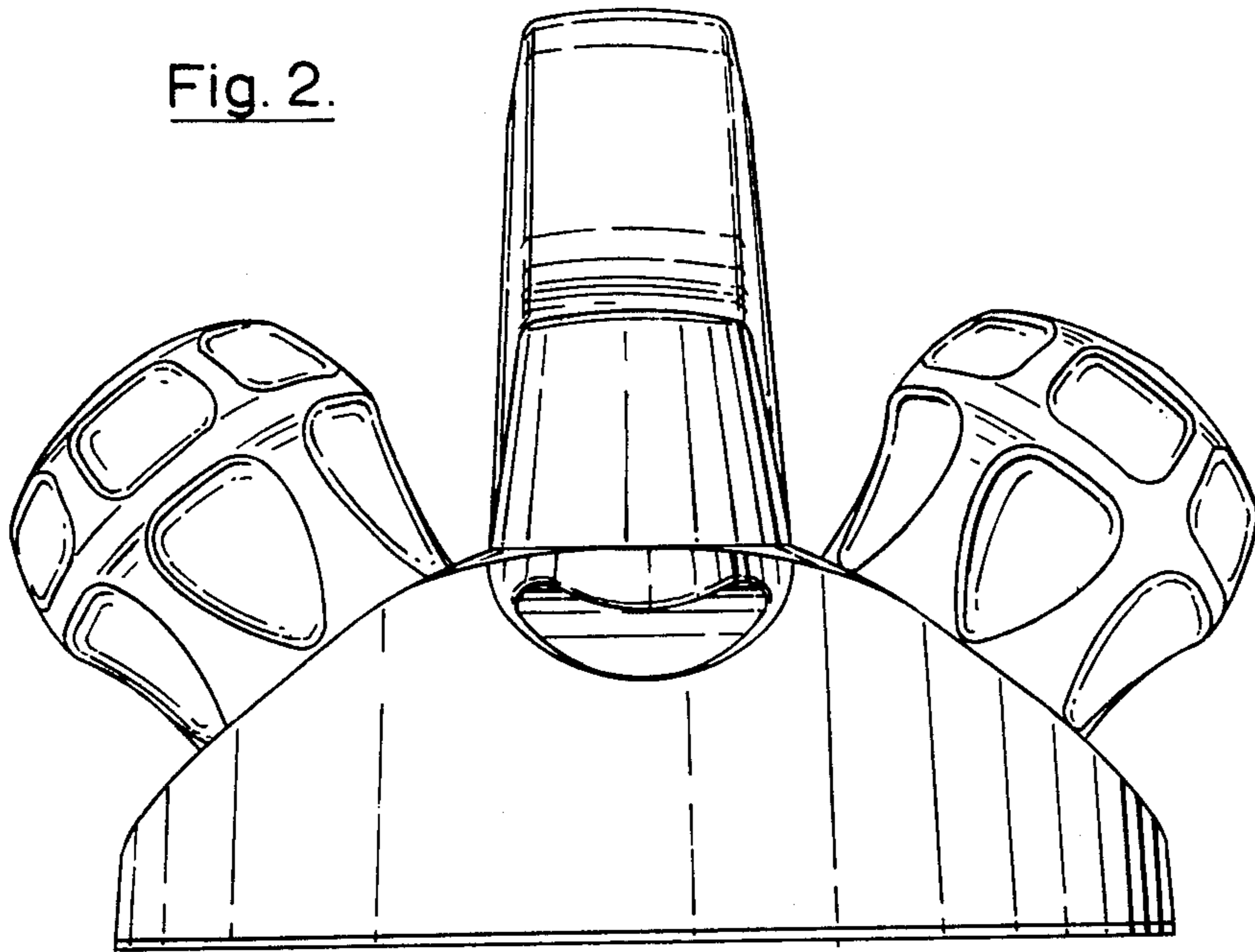


Fig. 2.



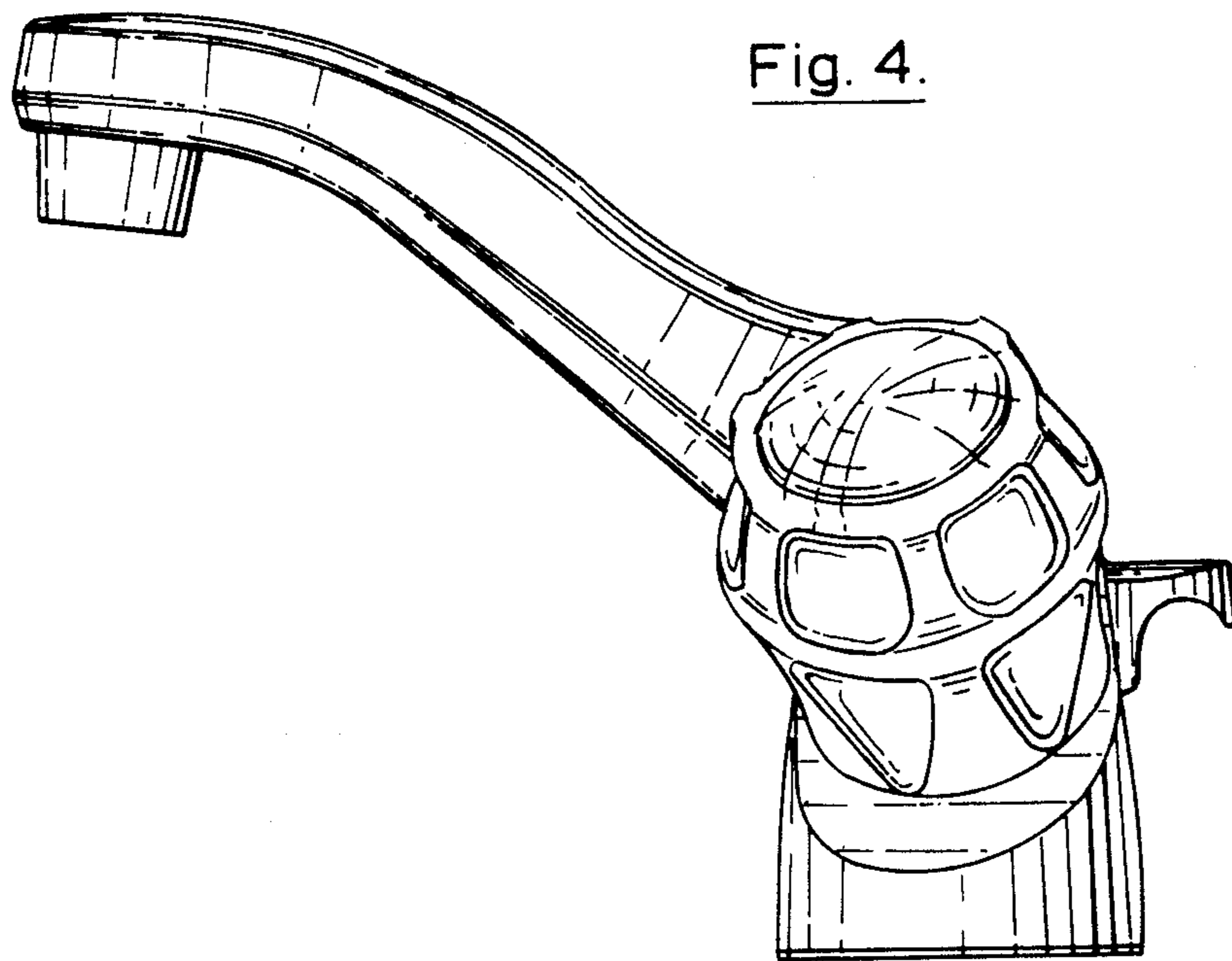


Fig. 4.

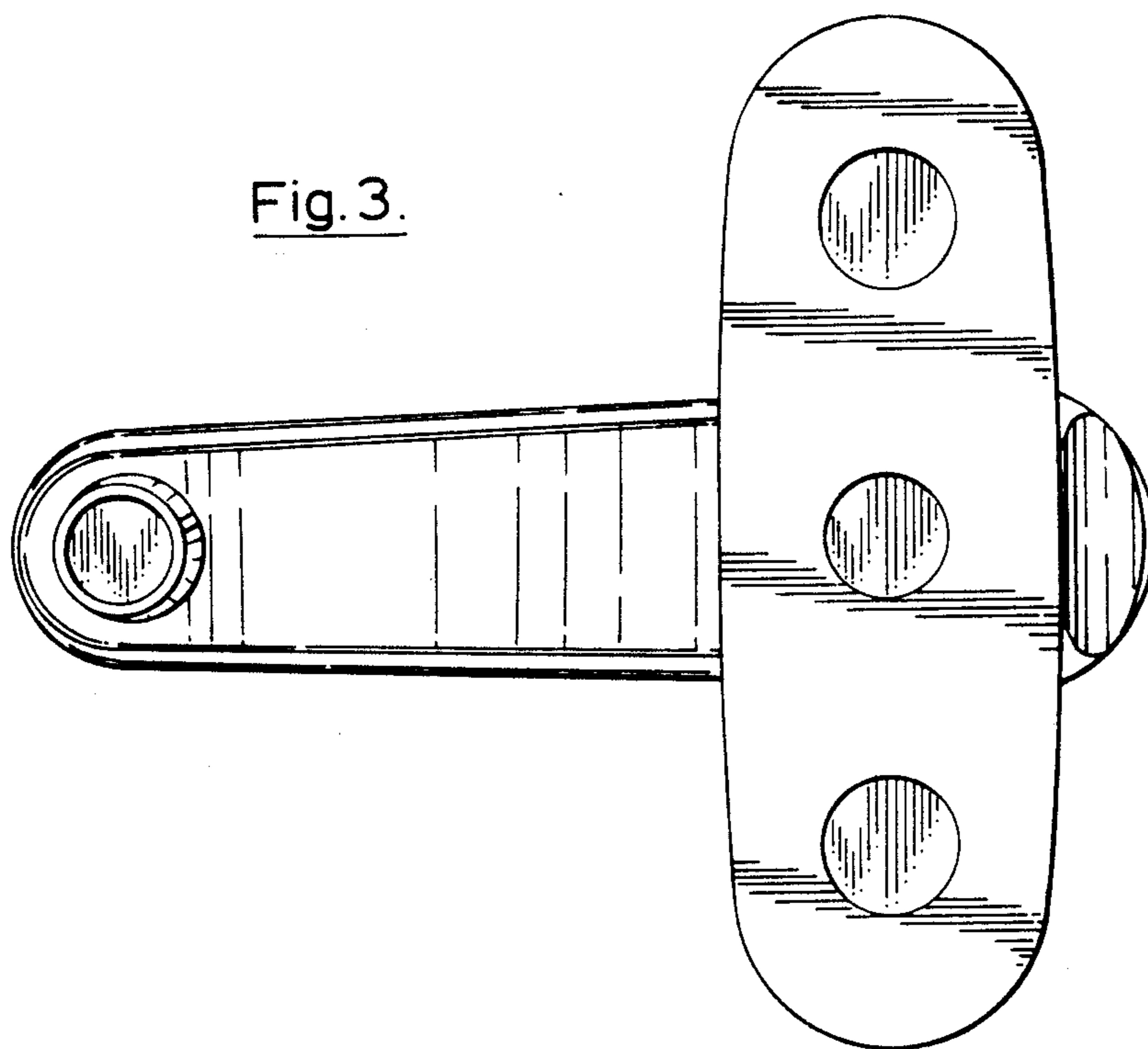


Fig. 3.

UNITED STATES PATENT AND TRADEMARK OFFICE
CERTIFICATE OF CORRECTION

PATENT NO. : Des. 258,523
DATED : March 10, 1981
INVENTOR(S) : Gilles Thevenot

It is certified that error appears in the above-identified patent and that said Letters Patent is hereby corrected as shown below:

Title Page Insert --Foreign Application Priority Data
 January 24, 1979 Fed. Rep. of Germany....
 MR 6903--.

Signed and Sealed this
Tenth Day of August 1982

[SEAL]

Attest:

Attesting Officer

GERALD J. MOSSINGHOFF

Commissioner of Patents and Trademarks