

[54] LAVATORY FAUCET

[56]

References Cited

U.S. PATENT DOCUMENTS

[75] Inventor: Gilles Thévenot, Baden-Baden, Fed. Rep. of Germany

D. 193,757	10/1962	Armstrong	D23/23
D. 193,922	10/1962	Ross et al.	D23/23
D. 200,754	3/1965	Landell	D23/23
D. 203,324	12/1965	Landell	D23/25
D. 219,780	1/1971	Niemann	D23/23
D. 237,615	11/1973	Saporito	D23/25

[73] Assignee: Friedrich Grohe Armaturenfabrik GmbH & Co., Fed. Rep. of Germany

Primary Examiner—James R. Largen
Attorney, Agent, or Firm—James B. Raden

[**] Term: 14 Years

[57] CLAIM

[21] Appl. No.: 59,508

The ornamental design for a lavatory faucet, substantially as shown and described.

[22] Filed: Jul. 23, 1979

DESCRIPTION

FIG. 1 is a front perspective view of a lavatory faucet showing my new design;
FIG. 2 is a rear view thereof;
FIG. 3 is a bottom plan view thereof; and
FIG. 4 is a side view thereof.

[51] Int. Cl. D23—01
[52] U.S. Cl. D23/25
[58] Field of Search D23/23-33

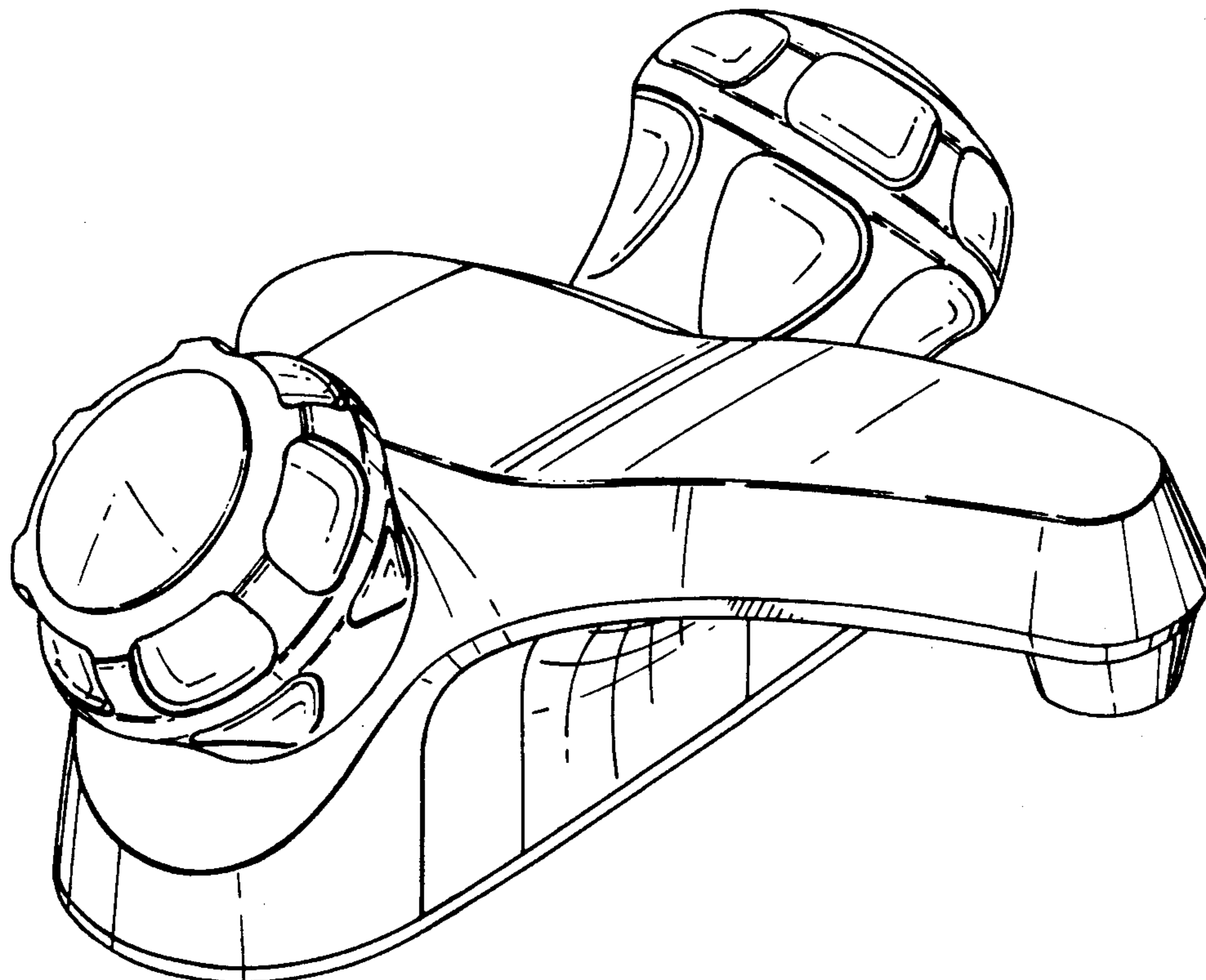


Fig.1.

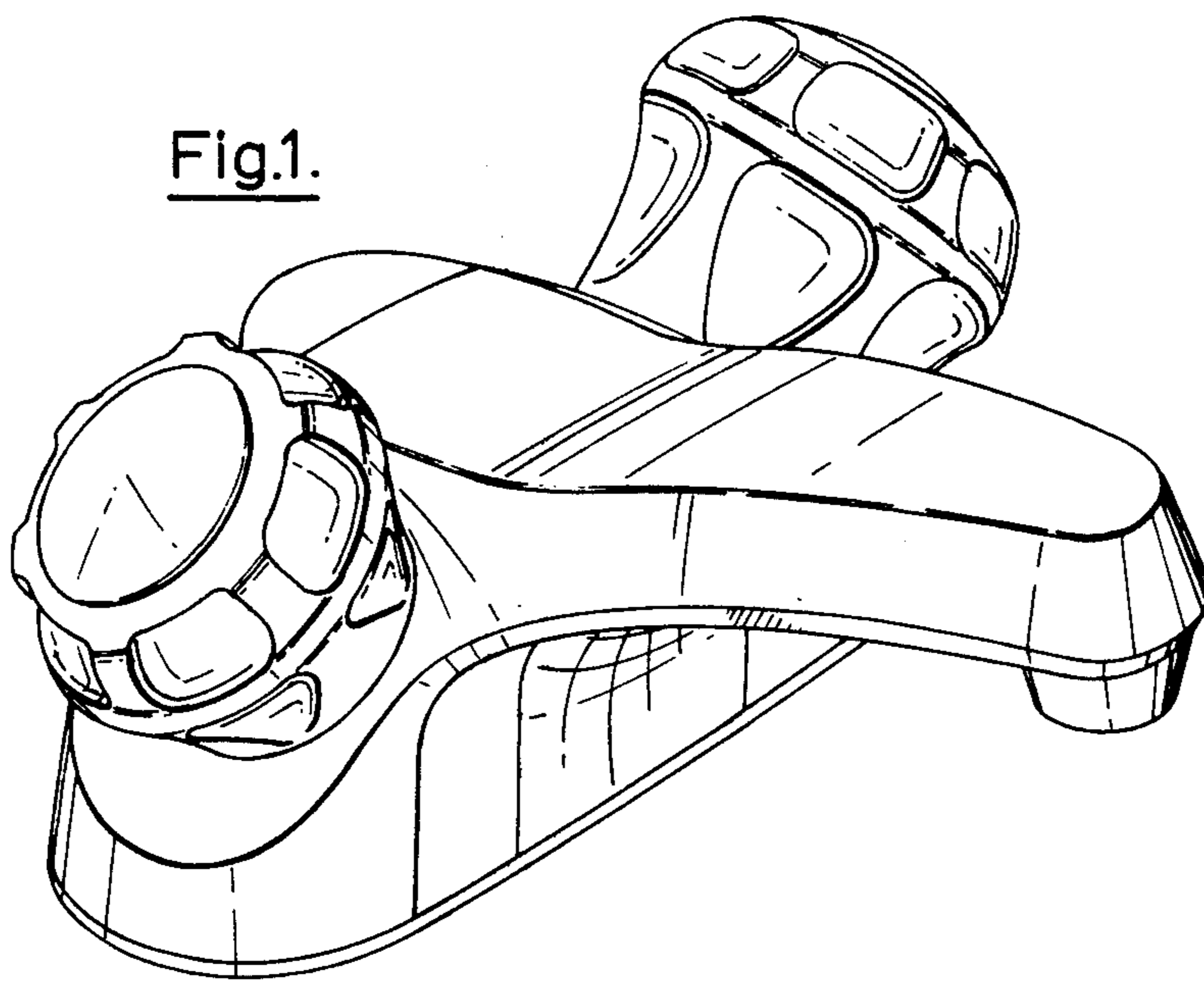


Fig.2.

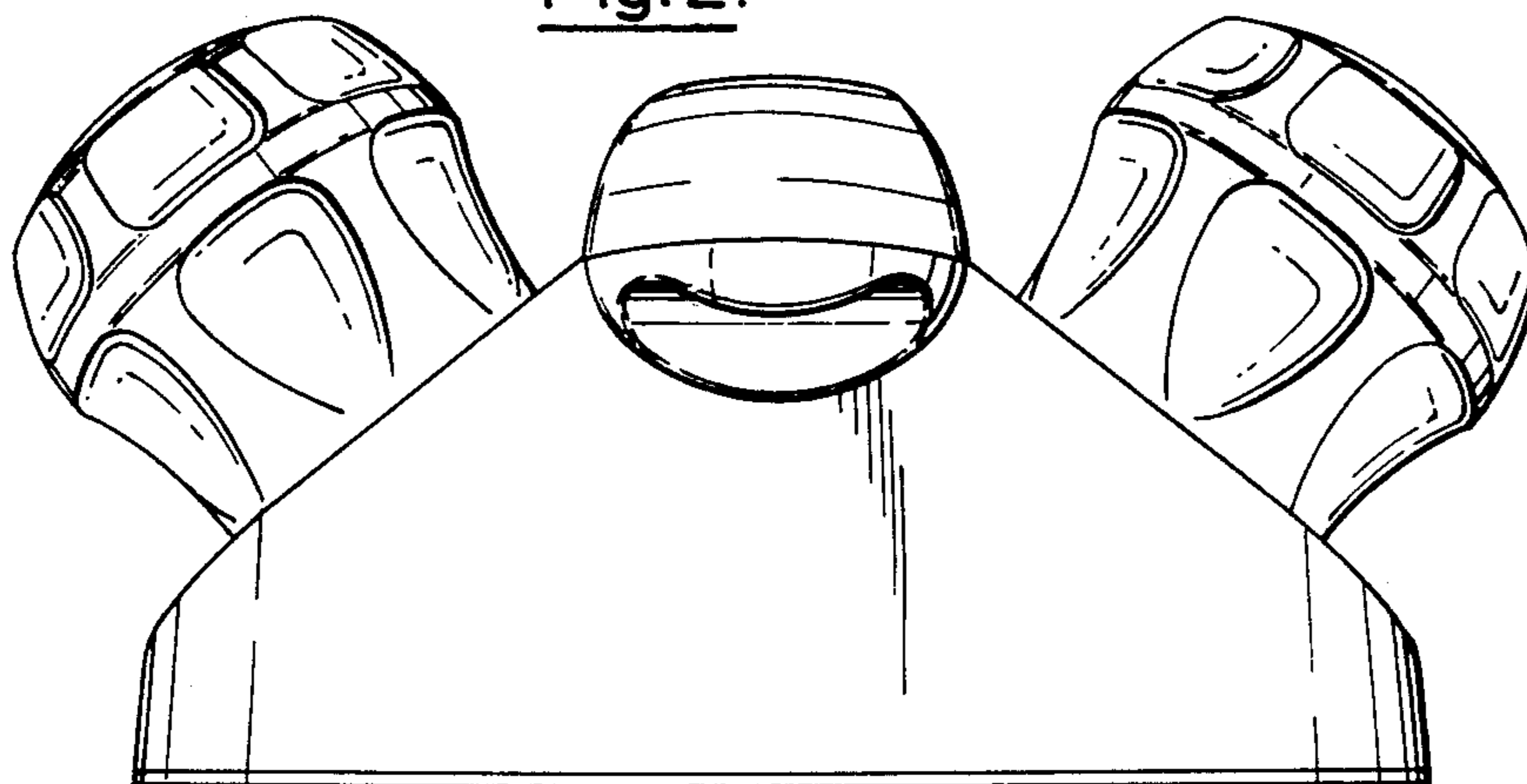


Fig. 3.

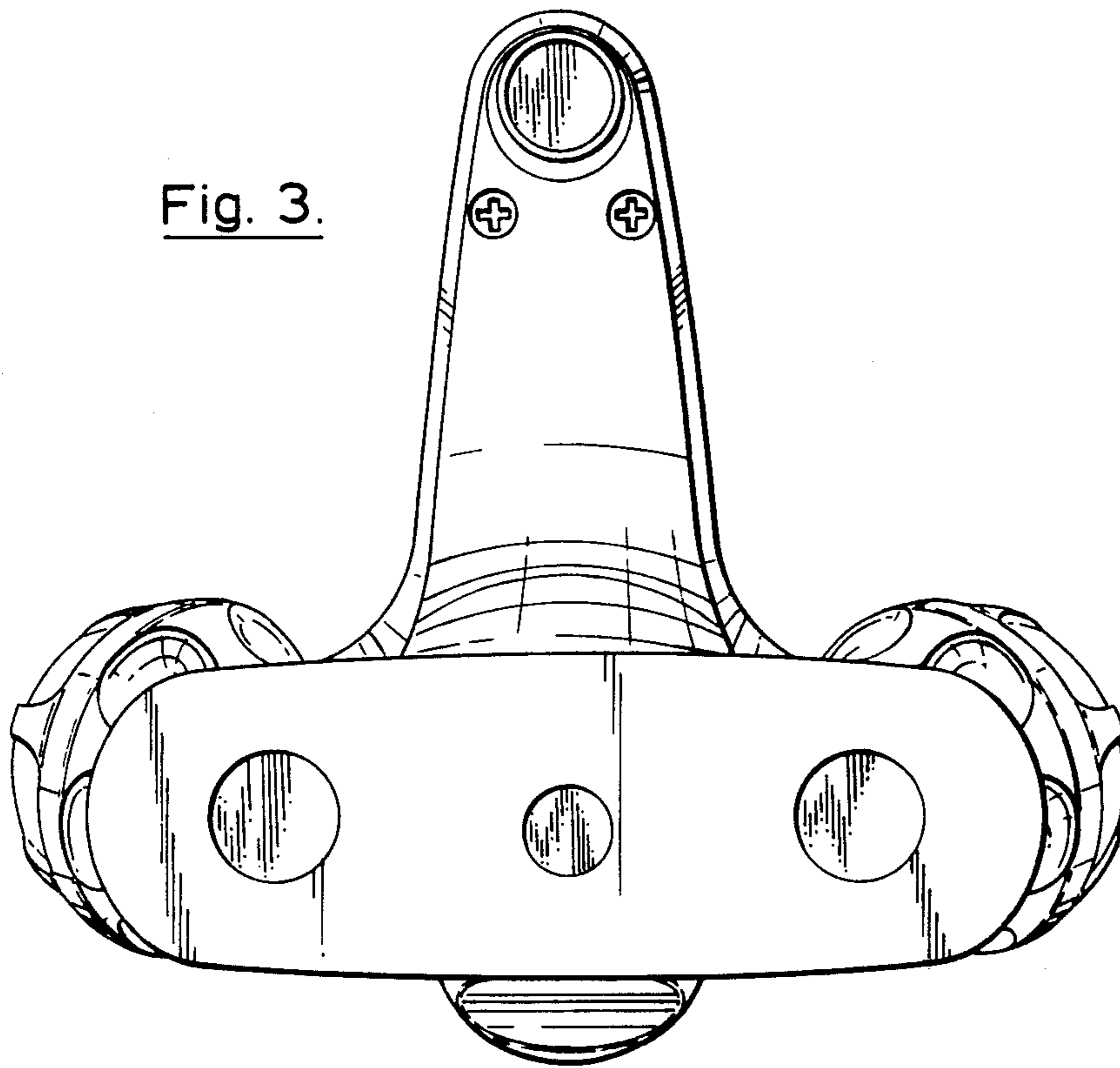
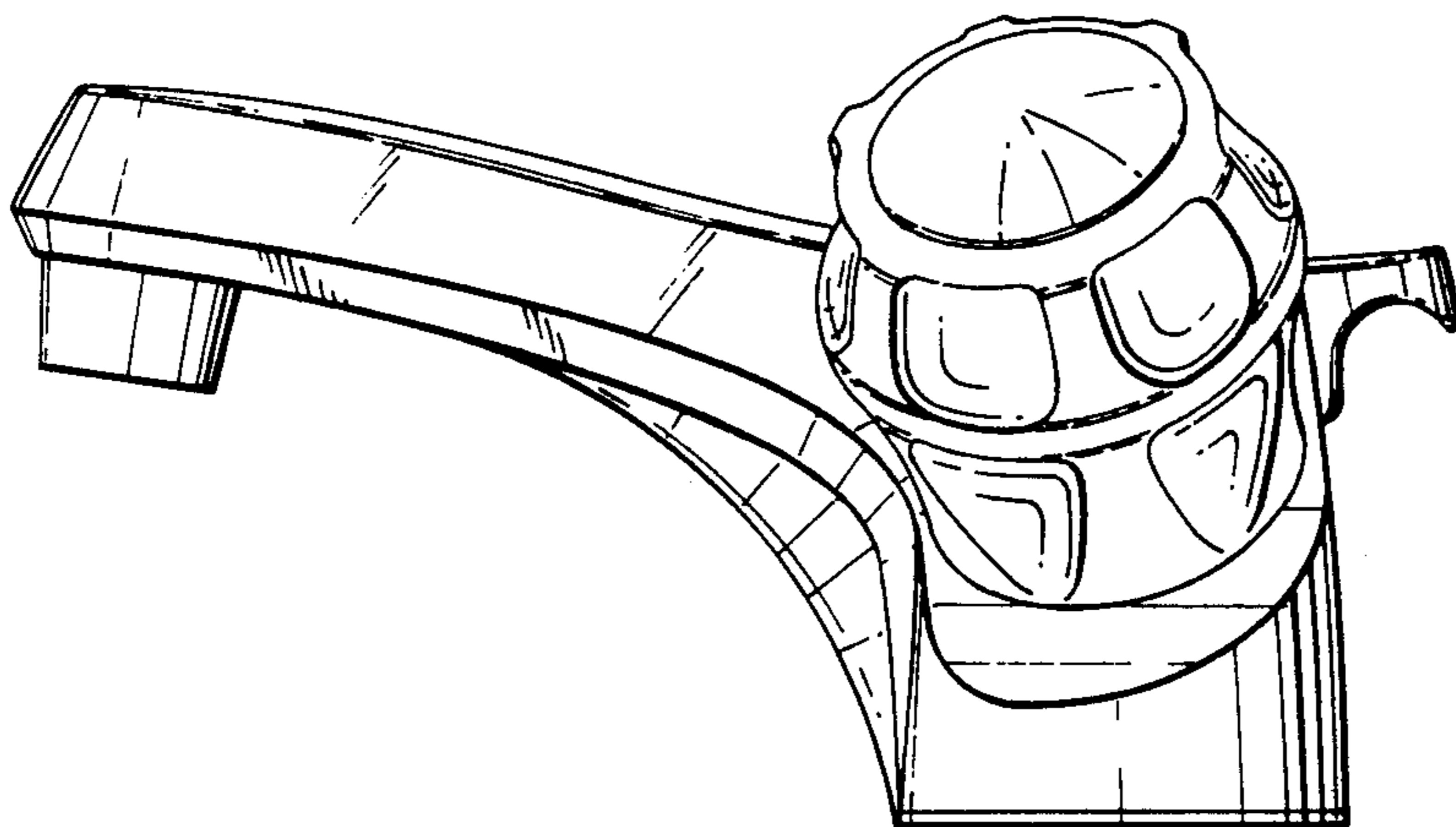


Fig. 4.



UNITED STATES PATENT AND TRADEMARK OFFICE
CERTIFICATE OF CORRECTION

PATENT NO. : Des 258,521
DATED : March 10, 1981
INVENTOR(S) : Gilles Thevenot

It is certified that error appears in the above-identified patent and that said Letters Patent is hereby corrected as shown below:

On the Title page Insert:
--**[30]** Foreign Application Priority Data

January 24, 1979 Fed. Rep. of Germany.....MR 6903--

Signed and Sealed this

Third Day of August 1982

[SEAL]

Attest:

Attesting Officer

GERALD J. MOSSINGHOFF

Commissioner of Patents and Trademarks