

[54] KITCHEN SINK FAUCET

[75] Inventor: Gilles Thévenot, Baden-Baden, Fed. Rep. of Germany

[73] Assignee: Friedrich Grohe Armaturenfabrik GmbH & Co., Fed. Rep. of Germany

[**] Term: 14 Years

[21] Appl. No.: 59,503

[22] Filed: Jul. 23, 1979

[51] Int. Cl. D23-01

[52] U.S. Cl. D23/25

[58] Field of Search D23/23-33

[56] References Cited

U.S. PATENT DOCUMENTS

D. 176,447 12/1955 Cohen D23/25

D. 193,757	10/1962	Armstrong	D23/23
D. 193,922	10/1962	Ross et al.	D23/23
D. 193,924	10/1962	Harty, Jr.	D23/26
D. 200,754	3/1965	Landell	D23/23
D. 203,324	12/1965	Landell	D23/25
D. 219,780	1/1971	Niemann	D23/23
D. 237,615	11/1975	Saporito	D23/25

Primary Examiner—James R. Largen
Attorney, Agent, or Firm—James B. Raden

[57] CLAIM

The ornamental design for a kitchen sink faucet, substantially as shown and described.

DESCRIPTION

FIG. 1 is a front perspective view of a kitchen sink faucet showing my new design;
FIG. 2 is a rear view thereof;
FIG. 3 is a side view thereof; and
FIG. 4 is a bottom plan view thereof.

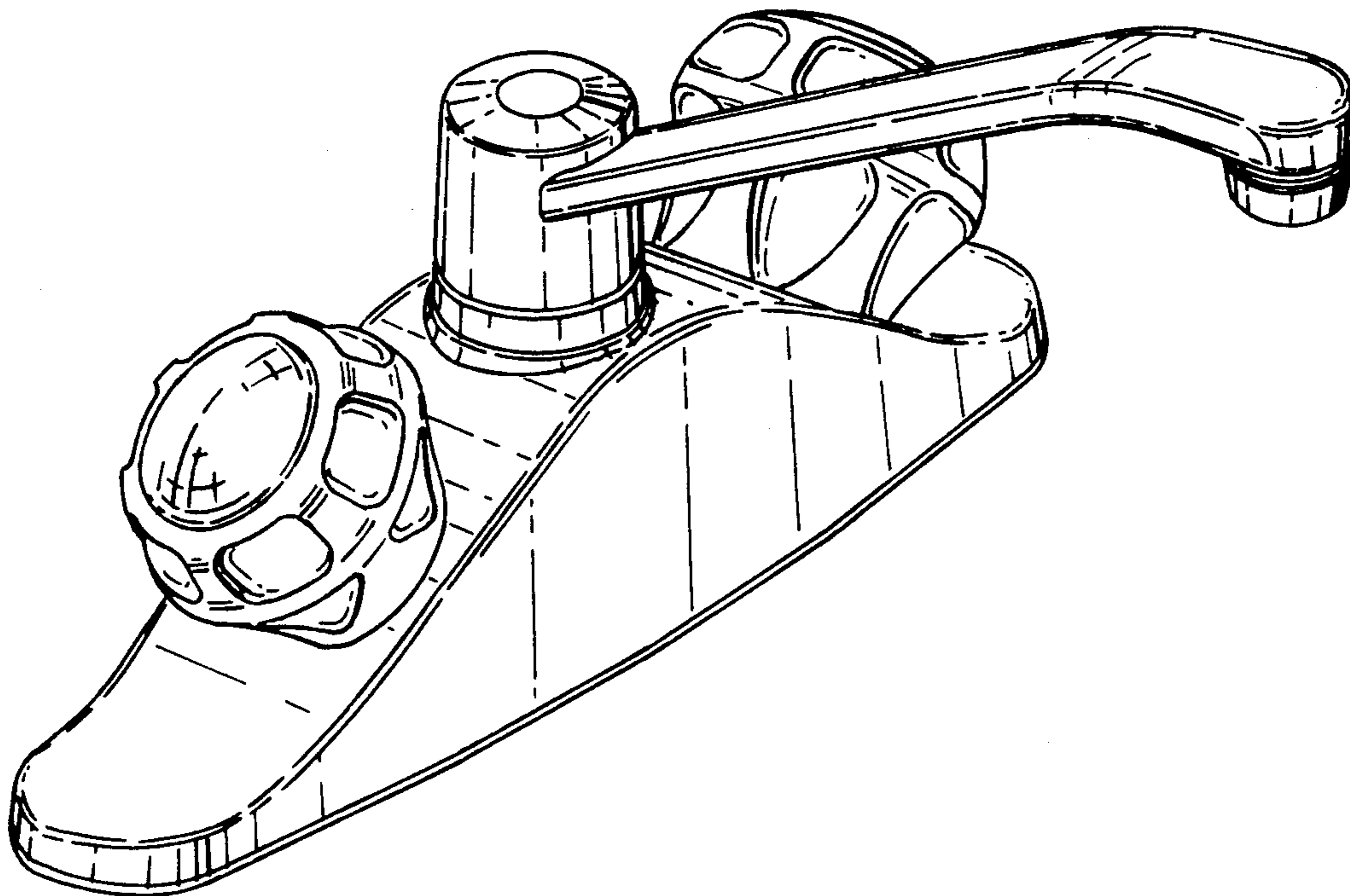


Fig.1.

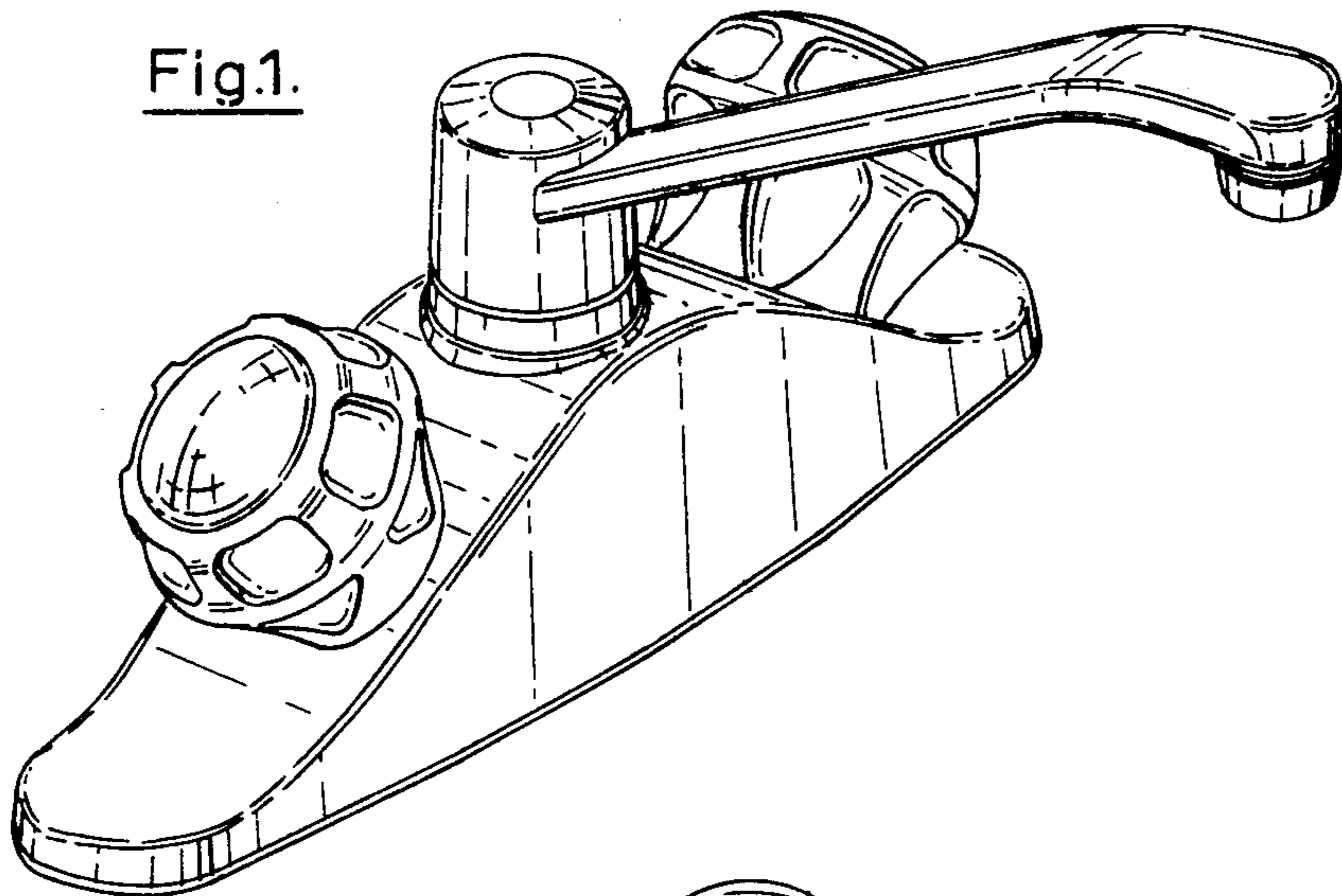


Fig.2.

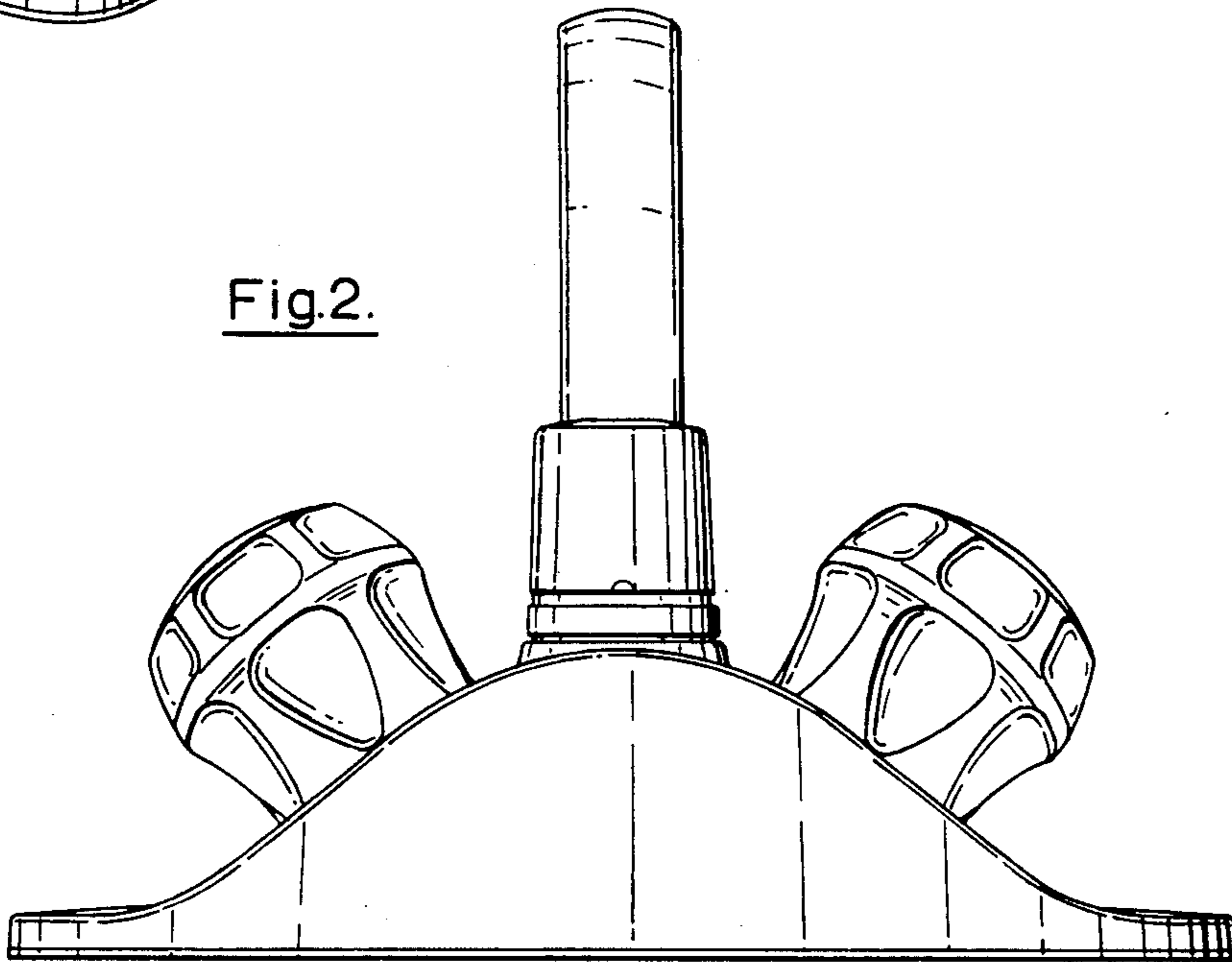


Fig.4.

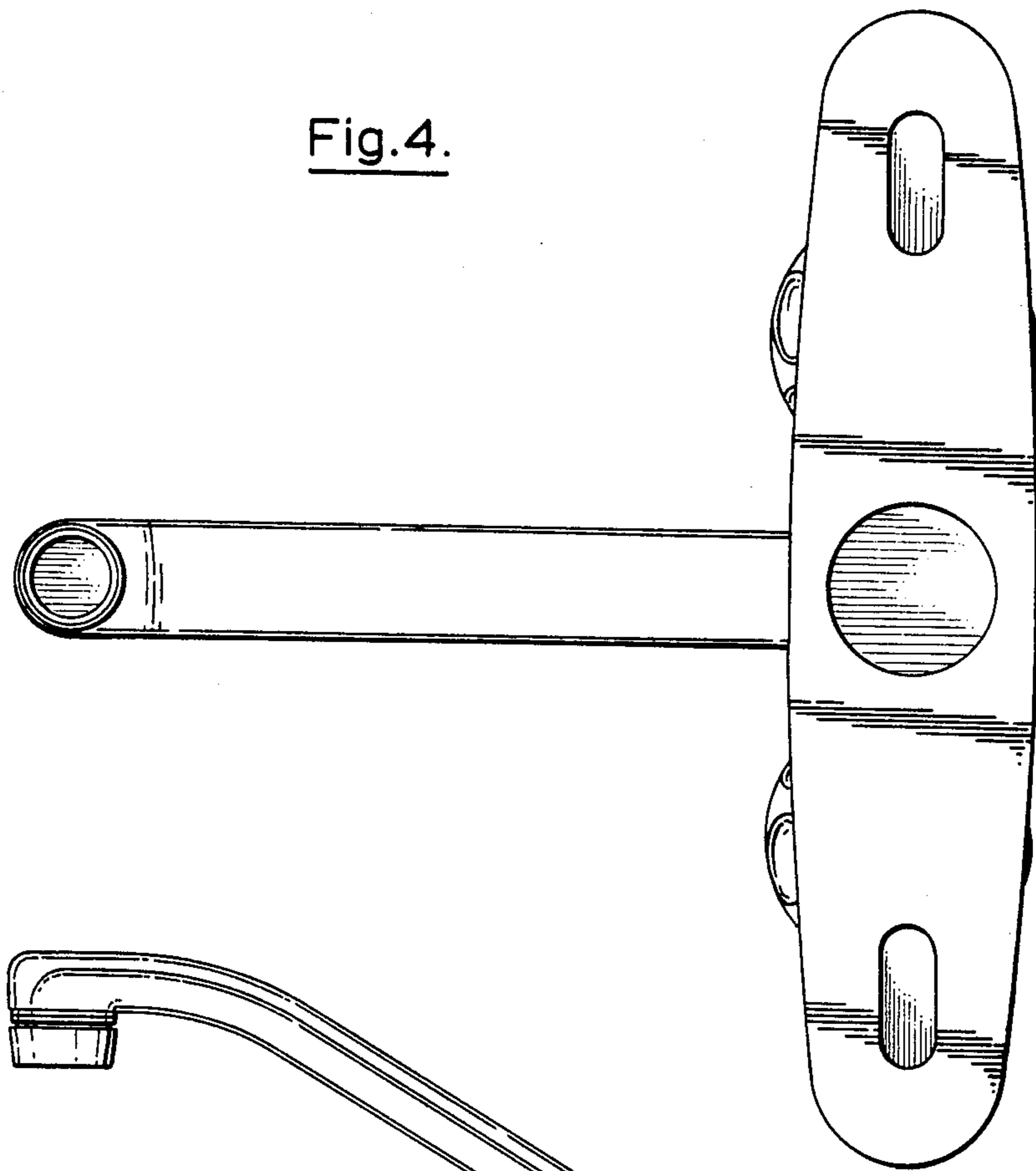
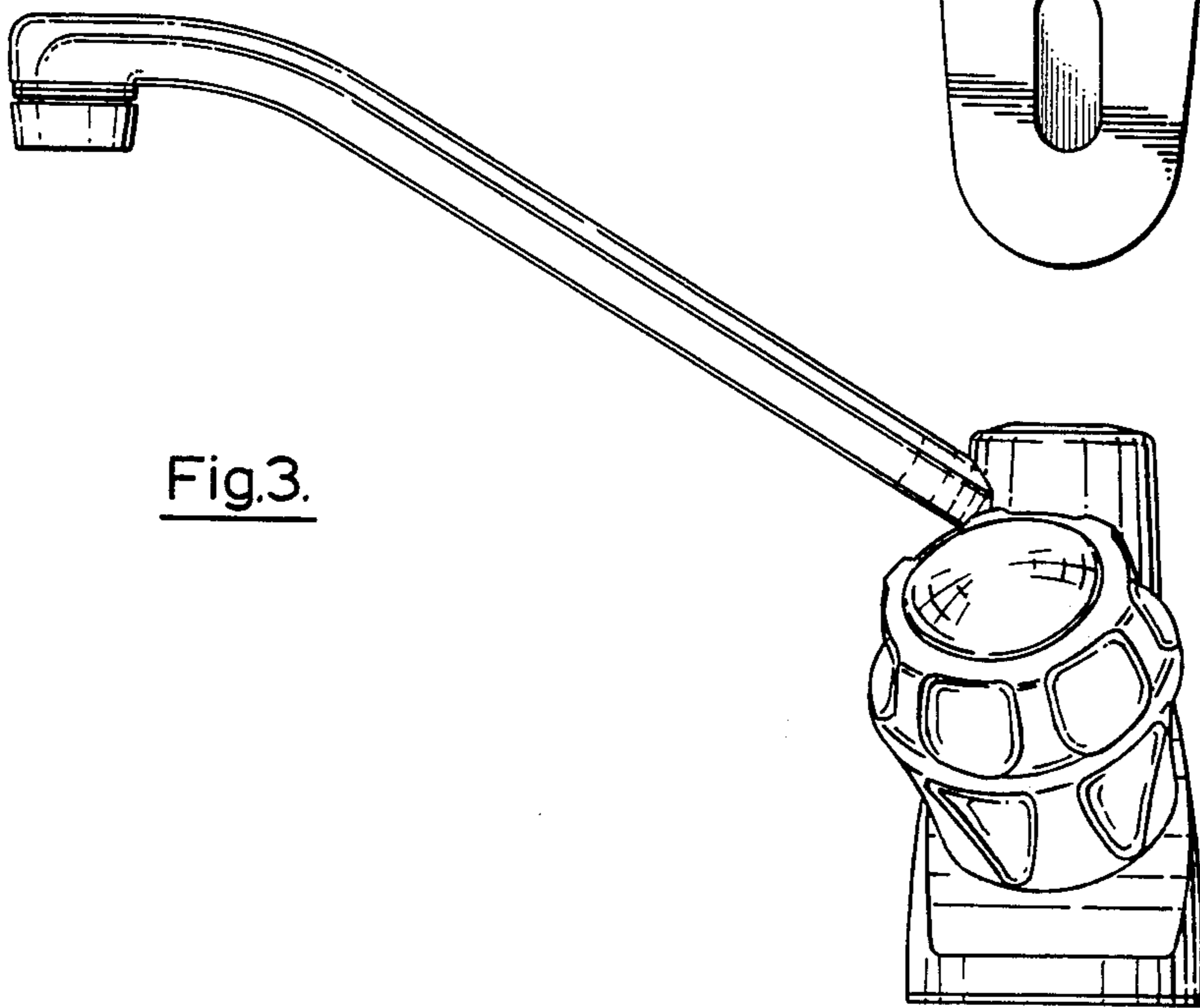


Fig.3.



UNITED STATES PATENT AND TRADEMARK OFFICE
CERTIFICATE OF CORRECTION

PATENT NO. : Des. 258519
DATED : March 10, 1981
INVENTOR(S) : Gilles Thevenot

It is certified that error appears in the above—identified patent and that said Letters Patent is hereby corrected as shown below:

On the title page, insert Item 30 to read:

--- Germany MR 6903 January 24, 1979 ---.

Signed and Sealed this

Eleventh Day of August 1981

[SEAL]

Attest:

Attesting Officer

GERALD J. MOSSINGHOFF

Commissioner of Patents and Trademarks