

[54] LAVATORY FAUCET

[75] Inventor: Gilles Thévenot, Baden-Baden, Fed. Rep. of Germany

[73] Assignee: Friedrich Grohe Armaturenfabrik GmbH & Co., Fed. Rep. of Germany

[\*\*] Term: 14 Years

[21] Appl. No.: 59,509

[22] Filed: Jul. 23, 1979

[51] Int. Cl. .... D23-01

[52] U.S. Cl. .... D23/23

[58] Field of Search .... D23/23-33

[56]

References Cited

U.S. PATENT DOCUMENTS

D. 193,757	10/1962	Armstrong .....	D23/23
D. 193,922	10/1962	Ross et al. ....	D23/23
D. 200,754	3/1965	Landell .....	D23/23
D. 203,324	12/1965	Landell .....	D23/25
D. 219,780	1/1971	Niemann .....	D23/23
D. 237,615	11/1975	Saporito .....	D23/25

Primary Examiner—James R. Largen  
Attorney, Agent, or Firm—James B. Raden

[57]

CLAIM

The ornamental design for a lavatory faucet, substantially as shown and described.

DESCRIPTION

FIG. 1 is a front perspective view of a lavatory faucet showing my new design;  
FIG. 2 is a rear view thereof;  
FIG. 3 is a side view thereof; and  
FIG. 4 is a bottom plan view thereof.

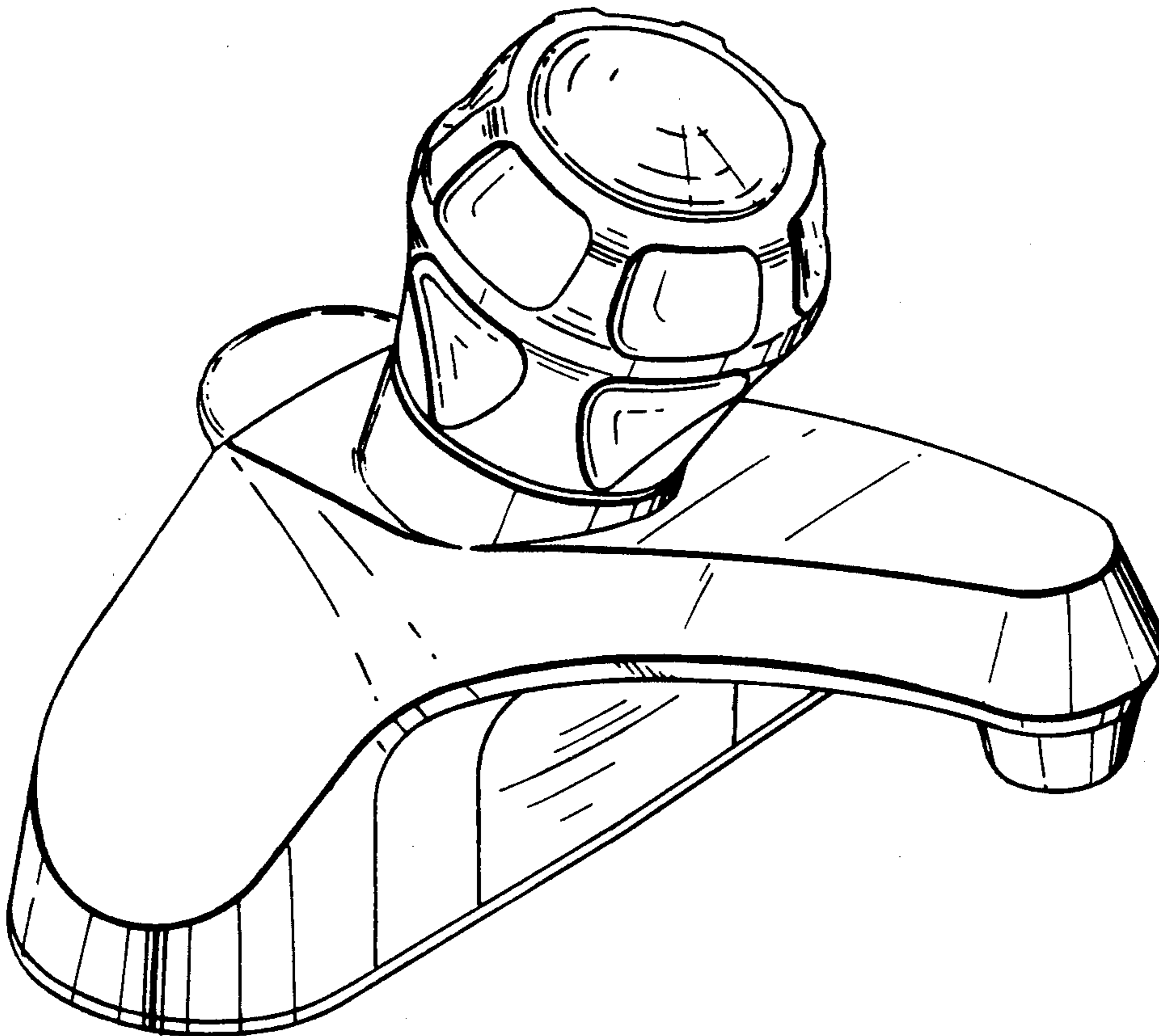


Fig. 1.

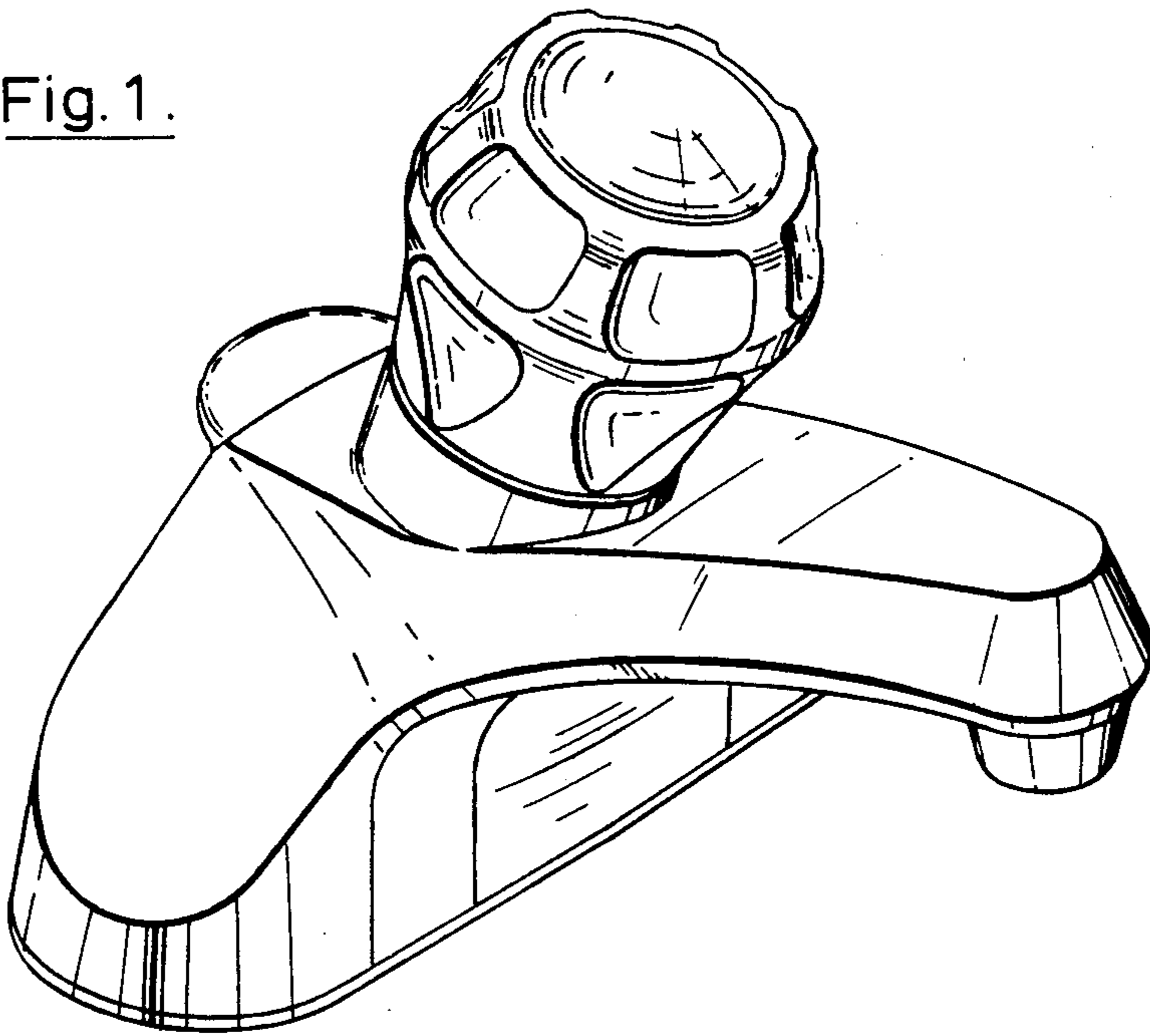


Fig. 2.

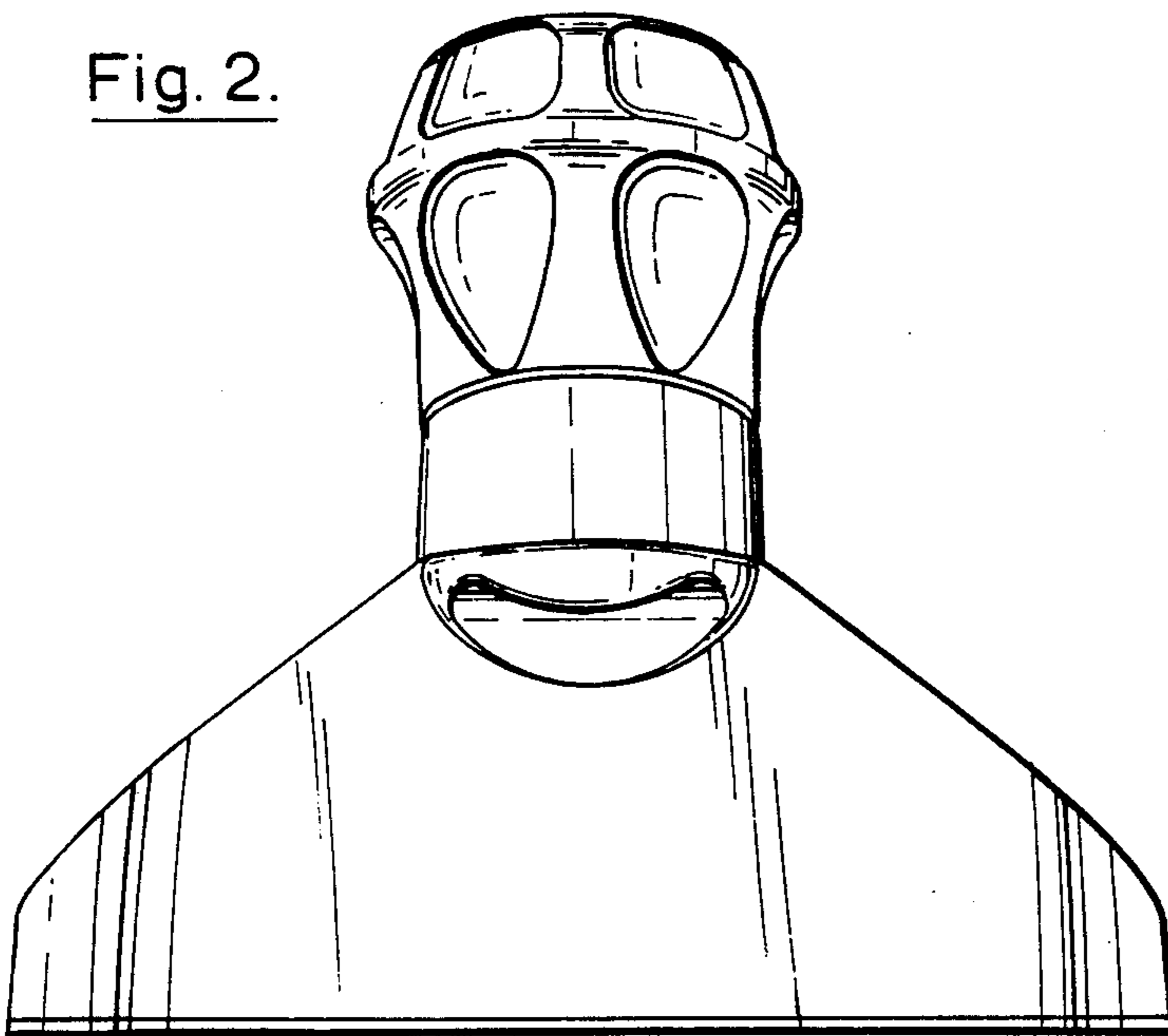


Fig. 3.

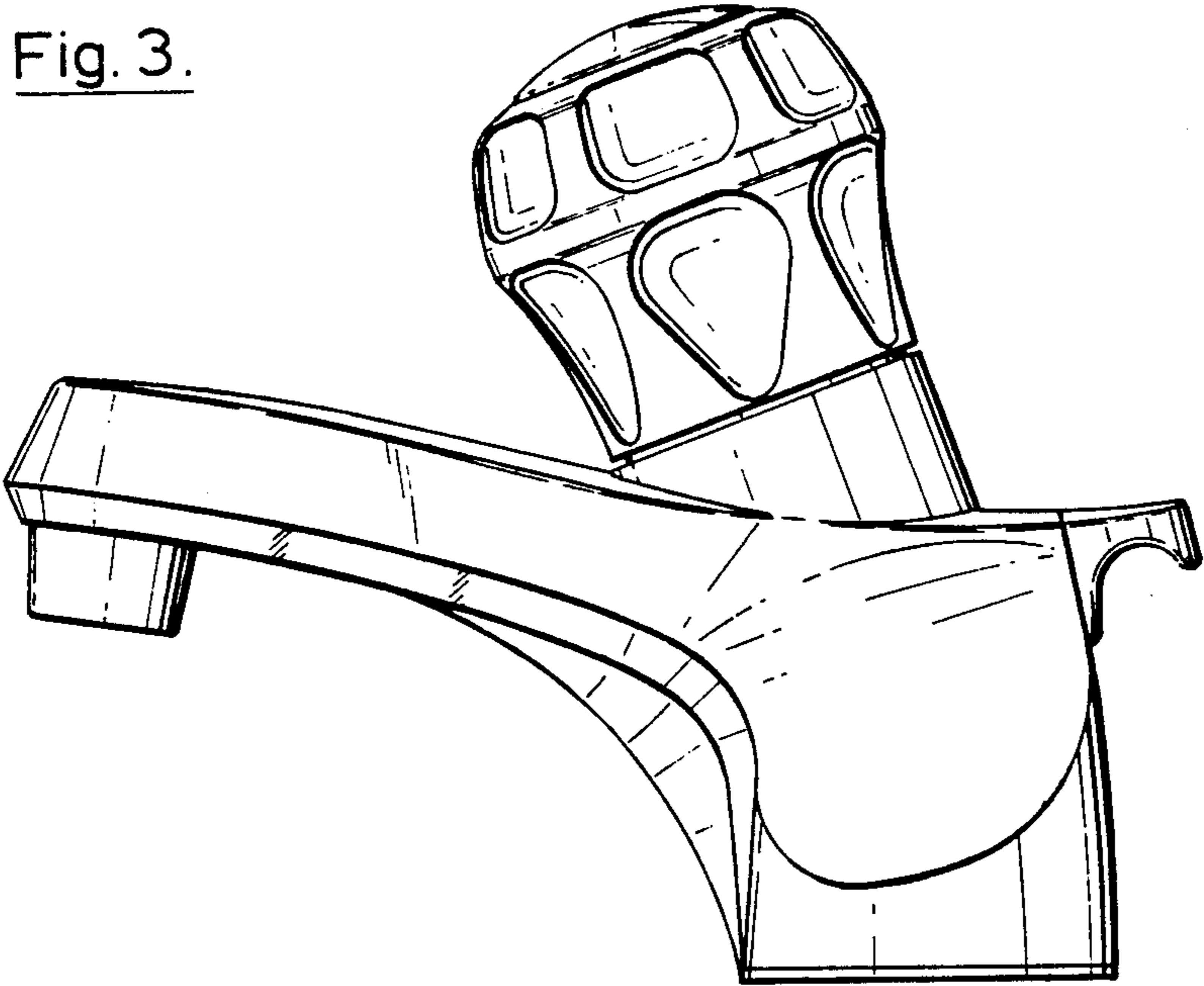
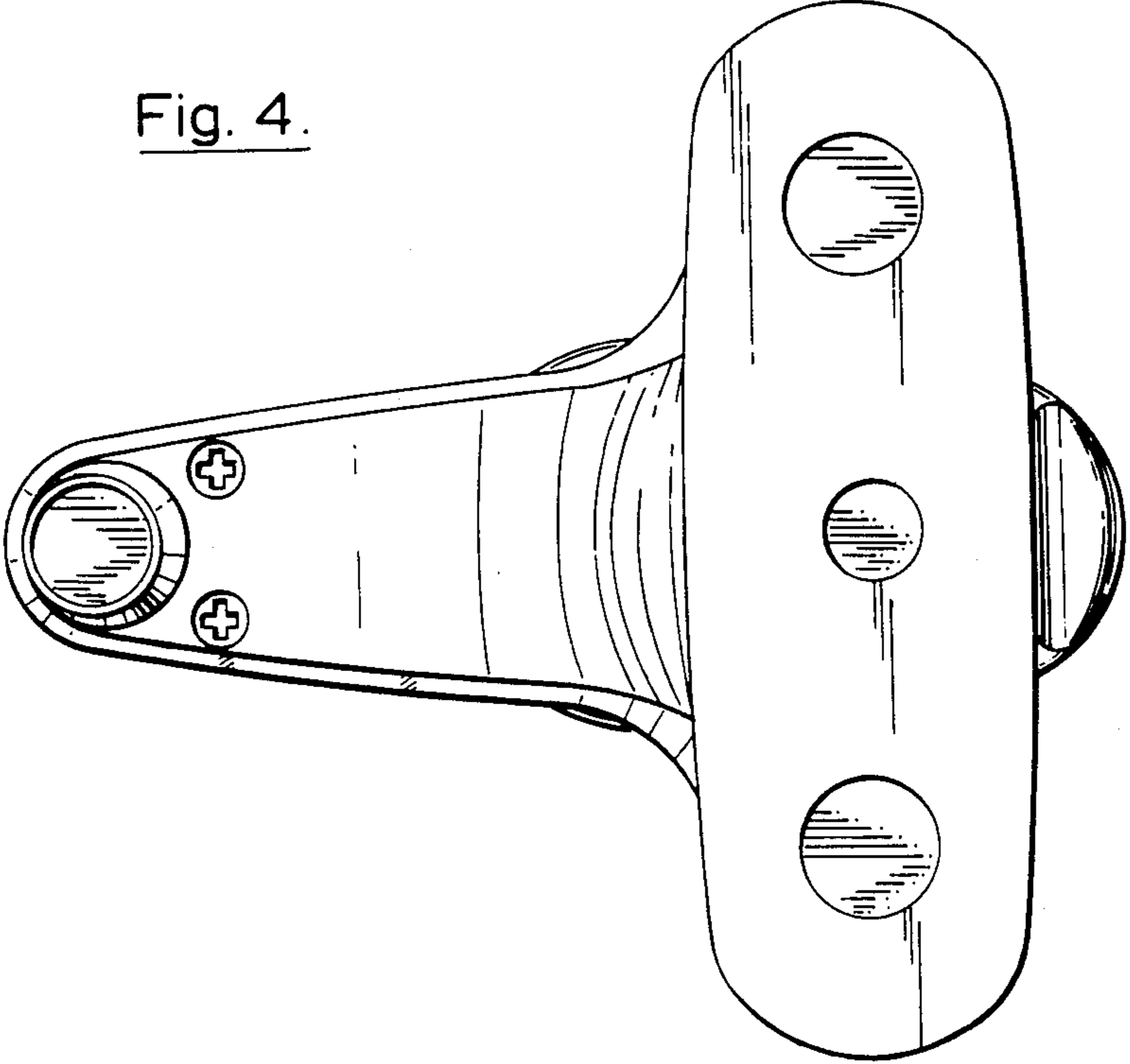


Fig. 4.



UNITED STATES PATENT AND TRADEMARK OFFICE  
**CERTIFICATE OF CORRECTION**

PATENT NO. : Des. 258,518  
DATED : Mar. 10, 1981  
INVENTOR(S) : Gilles Thevenot

It is certified that error appears in the above-identified patent and that said Letters Patent is hereby corrected as shown below:

On the title page Insert

-- (30) Foreign Application Priority Data

January 24, 1979                      Germany                      MR 6903 --.

**Signed and Sealed this**  
*Third Day of August 1982*

[SEAL]

*Attest:*

*Attesting Officer*

GERALD J. MOSSINGHOFF

*Commissioner of Patents and Trademarks*