

[54] CARD RACK OR THE LIKE

[75] Inventor: Harold P. Ashton, Providence, R.I.

[73] Assignee: Dart Industries Inc., Los Angeles, Calif.

[**] Term: 14 Years

[21] Appl. No.: 30,582

[22] Filed: Apr. 16, 1979

[51] Int. Cl. D19-02

[52] U.S. Cl. D19/90; D6/185; D7/188; D21/54

[58] Field of Search D21/54, 55; D6/142, D6/185, 140; D7/72, 188; D28/74; 273/148 A; D19/90; 211/11, 41

[56] References Cited

U.S. PATENT DOCUMENTS

D. 129,374	9/1941	Guild	D19/90
D. 176,292	12/1955	Vernon	D19/90
D. 217,491	5/1970	Wooters	D7/188
D. 231,137	4/1974	Gustavsberg	D19/90

Primary Examiner—Melvin B. Feifer

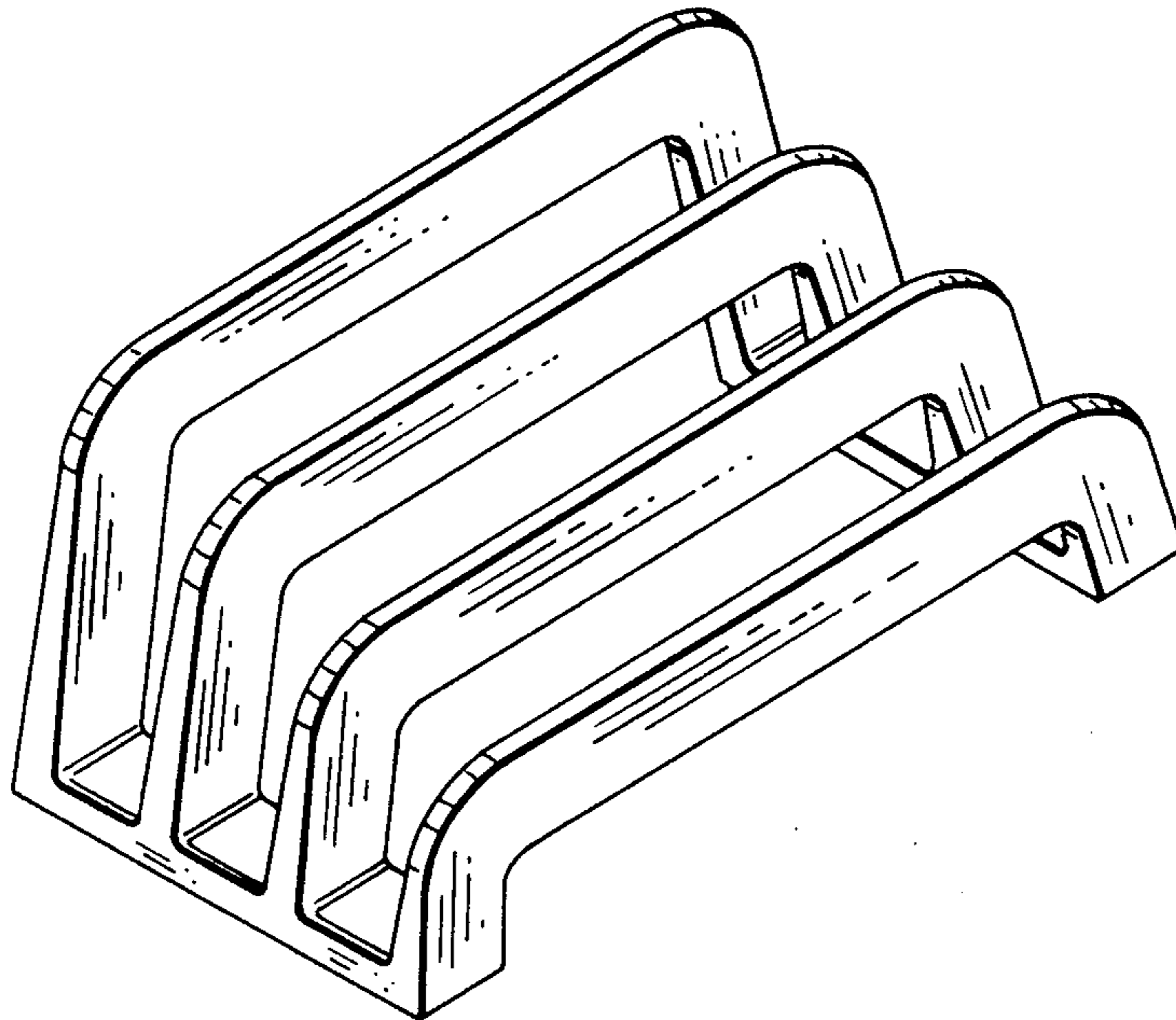
Attorney, Agent, or Firm—Leigh B. Taylor

[57] CLAIM

The ornamental design for a card rack or the like, substantially as is shown.

DESCRIPTION

FIG. 1 is a top perspective view of the card rack or the like embodying my ornamental design; FIG. 2 is a side elevational view thereof; FIG. 3 is a front elevational view thereof; FIG. 4 is a rear elevational view thereof; FIG. 5 is a top plan view thereof; and FIG. 6 is a bottom plan view thereof.



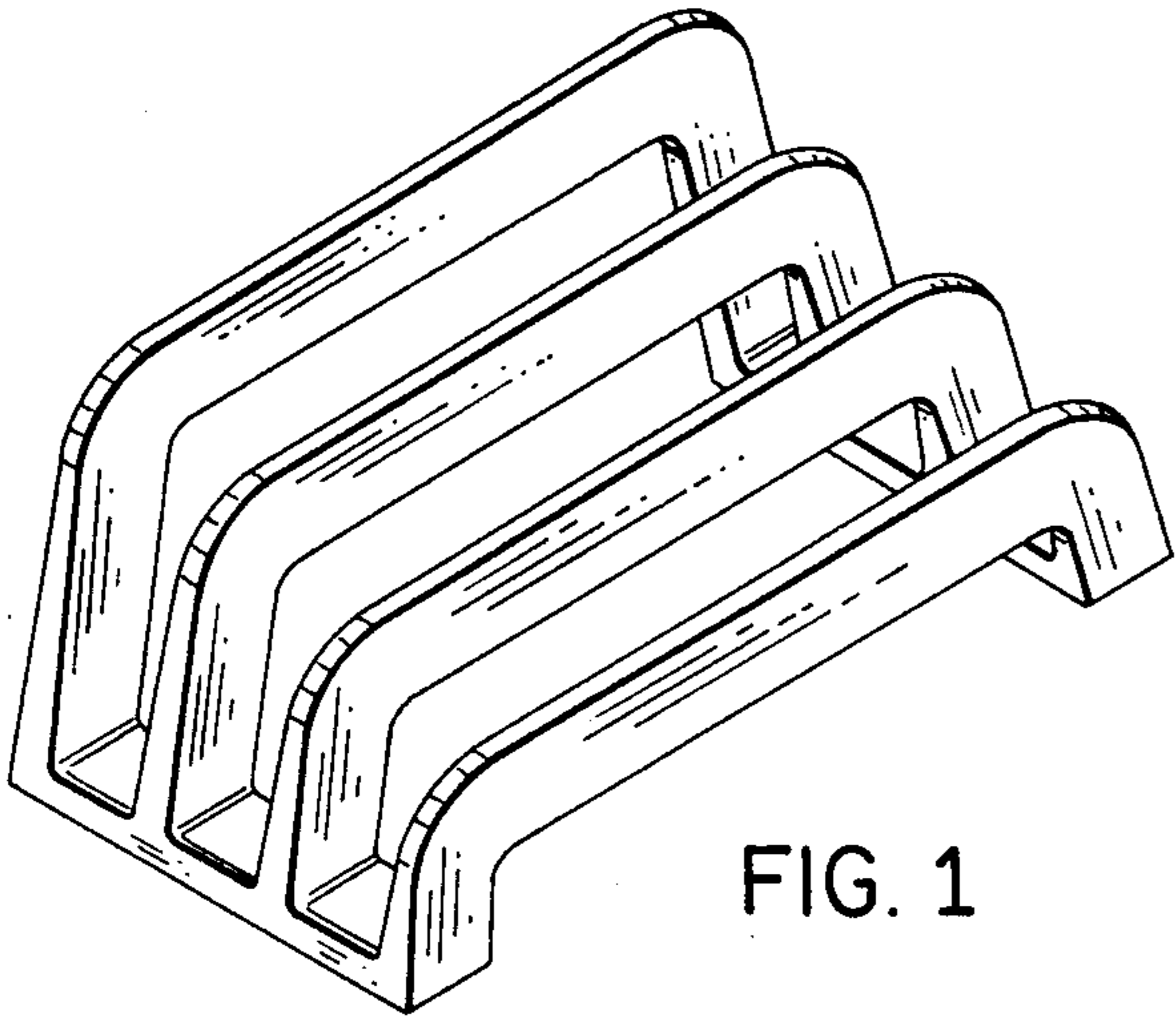


FIG. 1

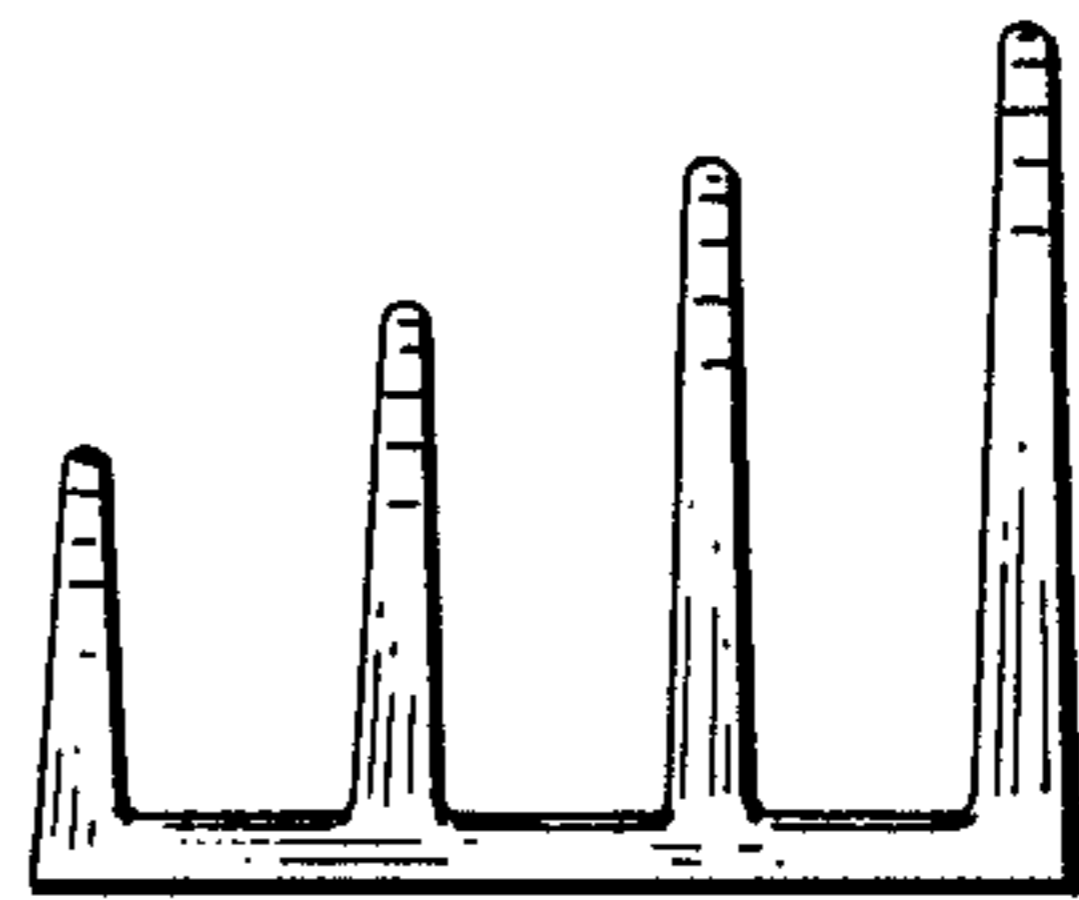


FIG. 2

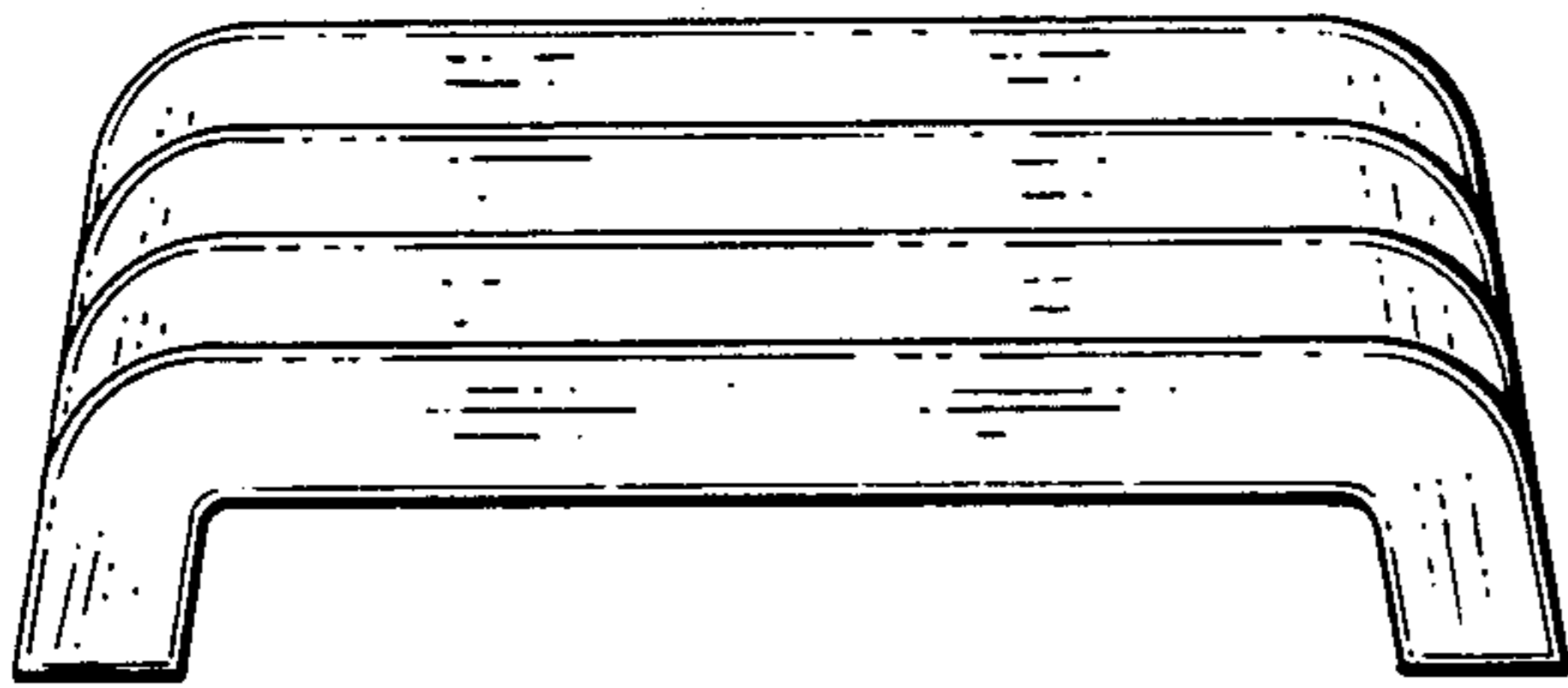


FIG. 3

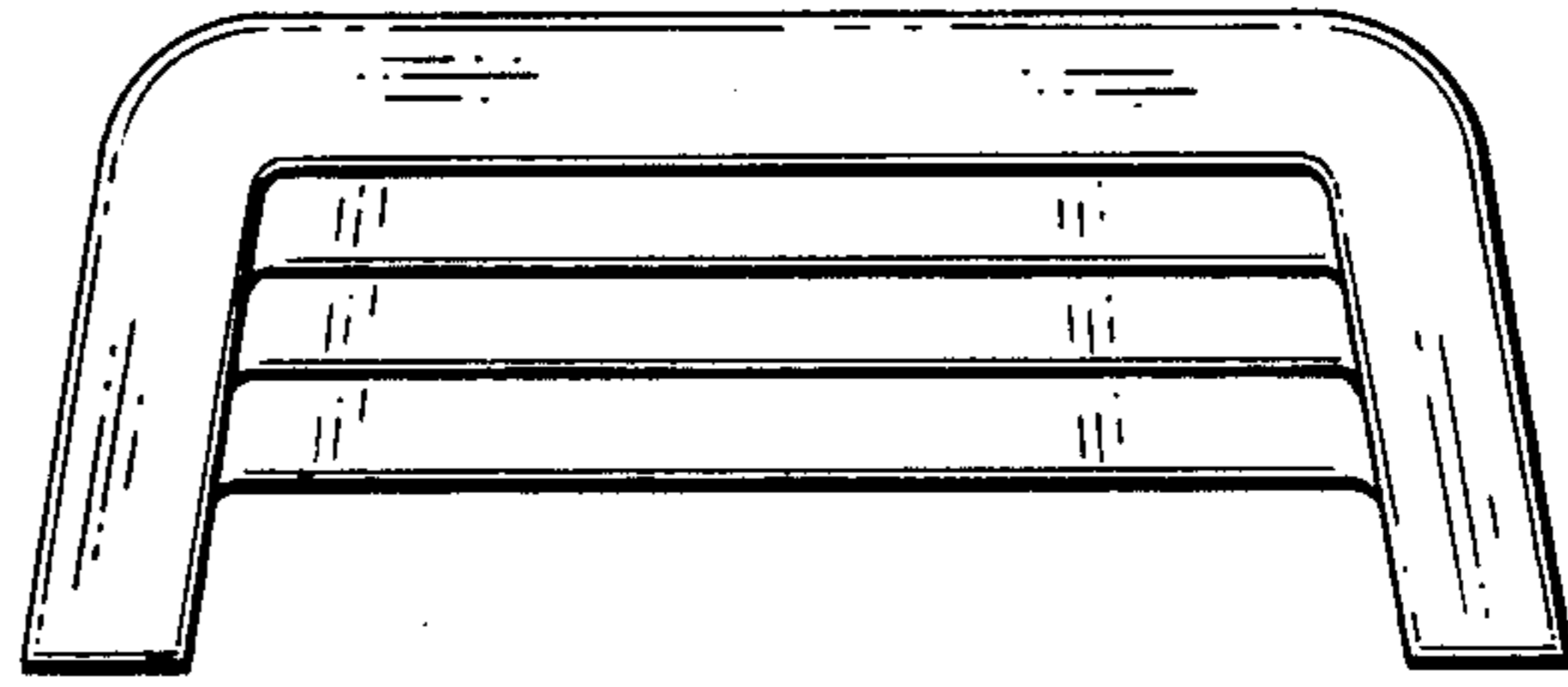


FIG. 4

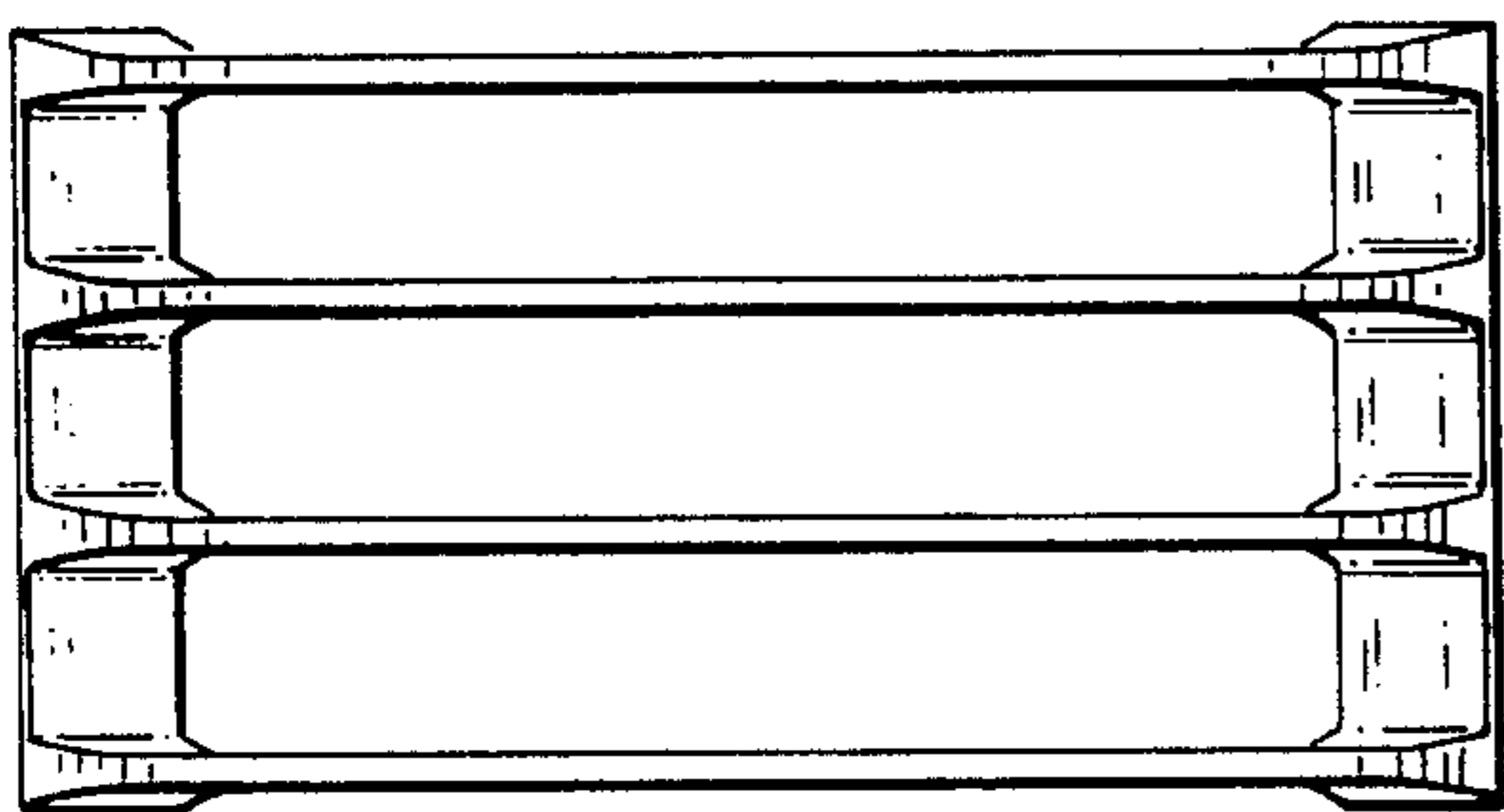


FIG. 5

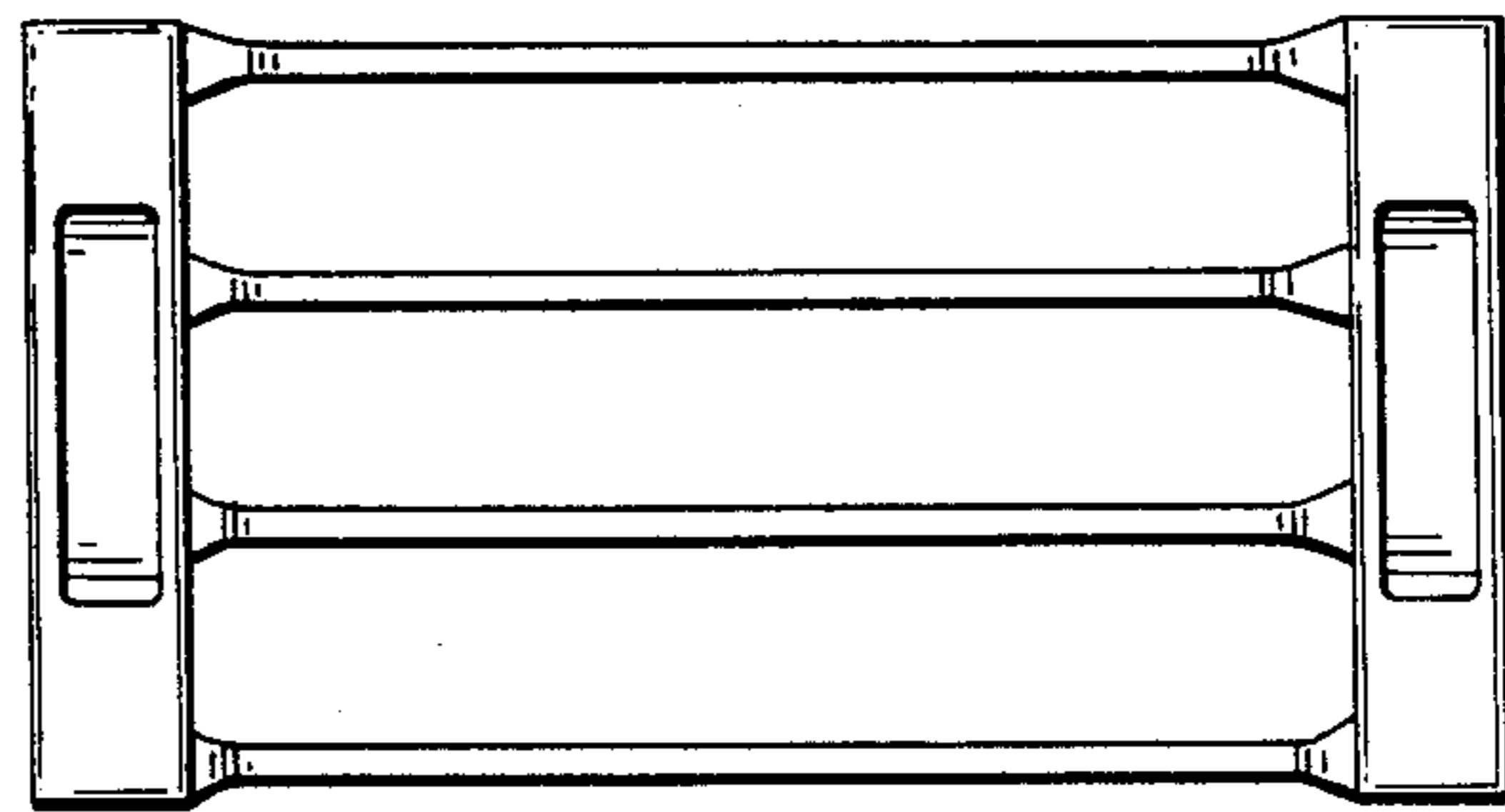


FIG. 6