

[54] TRACTOR

[75] Inventor: Genichi Funabashi, Sennan, Japan

[73] Assignee: Kubota, Ltd., Japan

[**] Term: 14 Years

[21] Appl. No.: 927,678

[22] Filed: Jul. 24, 1978

[30] Foreign Application Priority Data

Jan. 25, 1978 [JP] Japan 53-2312

[51] Int. Cl. D15-03

[52] U.S. Cl. D15/23

[58] Field of Search D15/23; 180/54 D, 89.1

[56]

References Cited

PUBLICATIONS

Implement & Tractor, 3/31/77, p. 7, Yanmar 4YM155D Tractor, bottom left side of page.

Implement & Tractor, 2/7/76, p. 15, Kubota L225DT Tractor, top of page.

Primary Examiner—James M. Gandy
Attorney, Agent, or Firm—David S. Kane

[57]

CLAIM

The ornamental design for a tractor, as shown and described.

DESCRIPTION

FIG. 1 is a side elevational view of a tractor showing my new design;

FIG. 2 is an elevational view of the opposite side thereof;

FIG. 3 is a top plan view thereof;

FIG. 4 is a front elevational view thereof; and

FIG. 5 is a rear elevational view thereof.

The broken lines in the drawing are for illustrative purposes only.

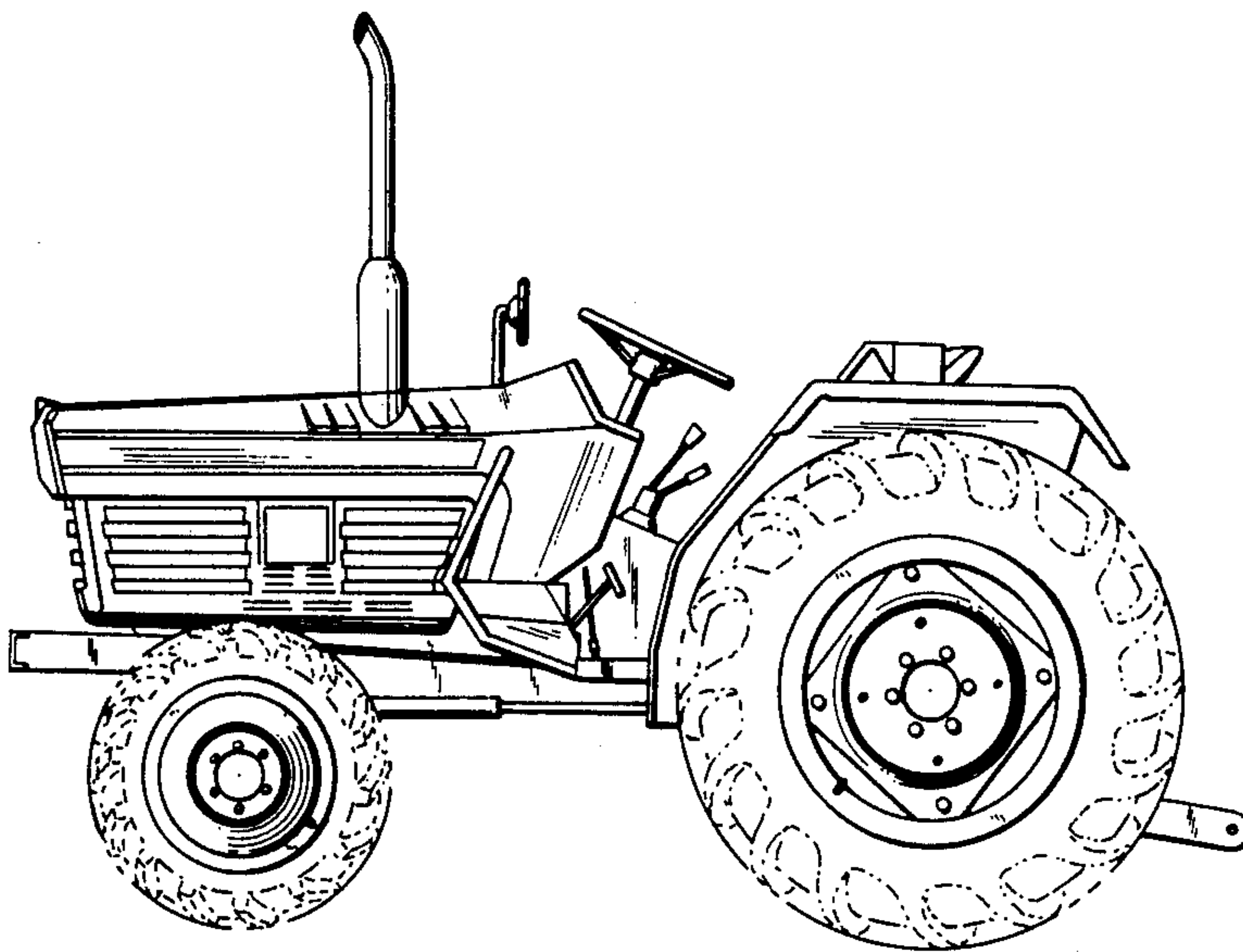
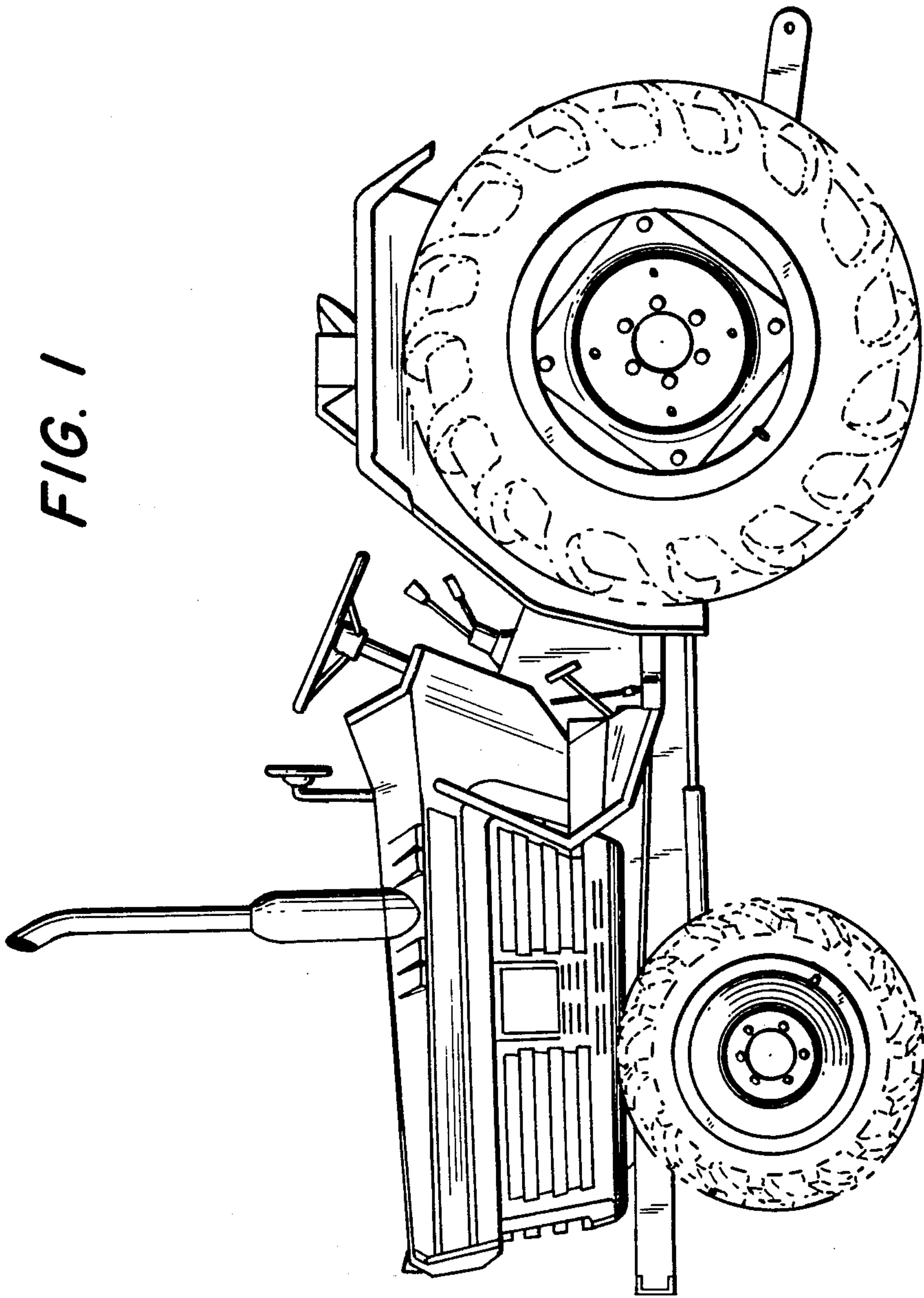


FIG. 1



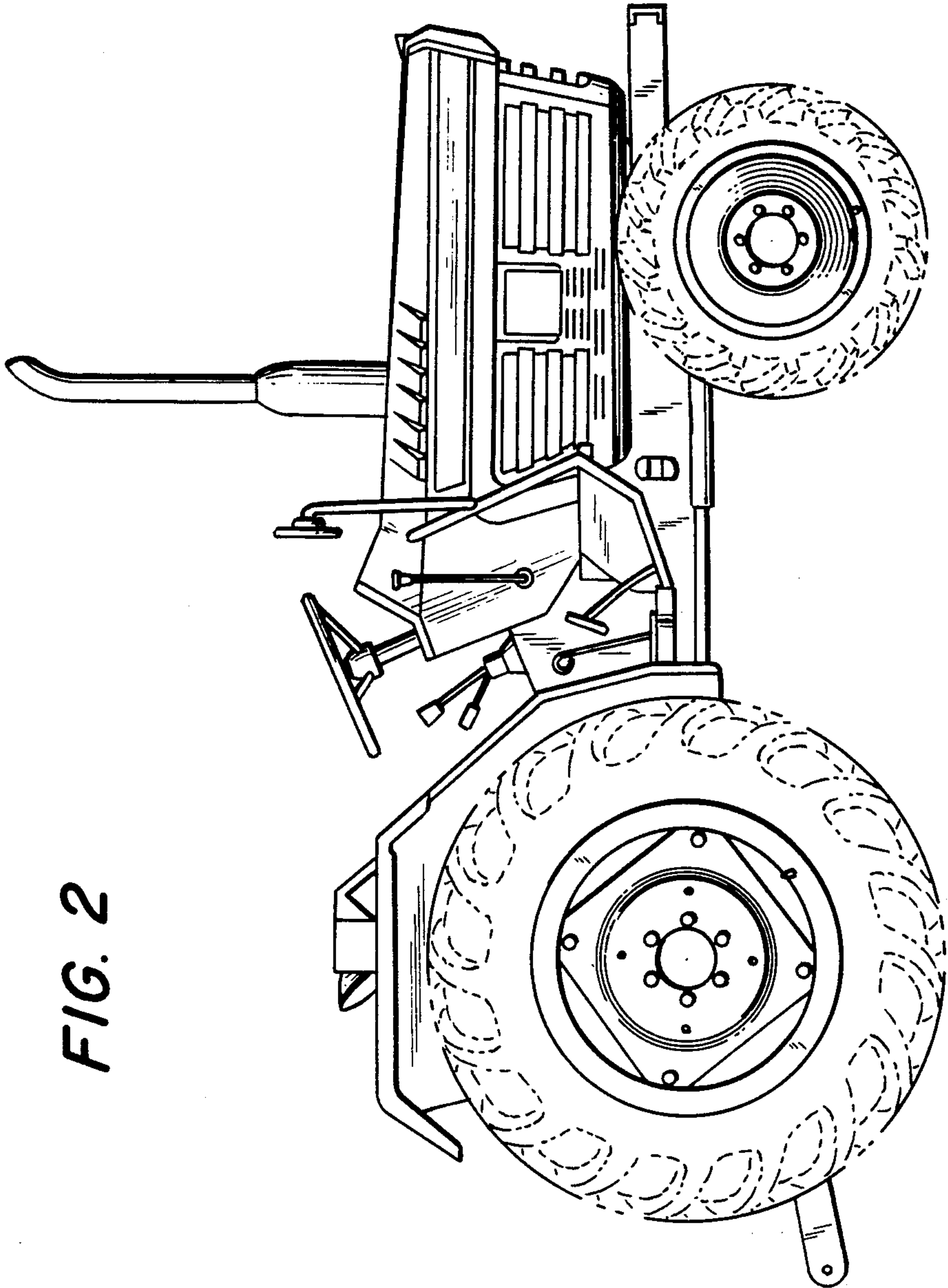


FIG. 2

FIG. 3

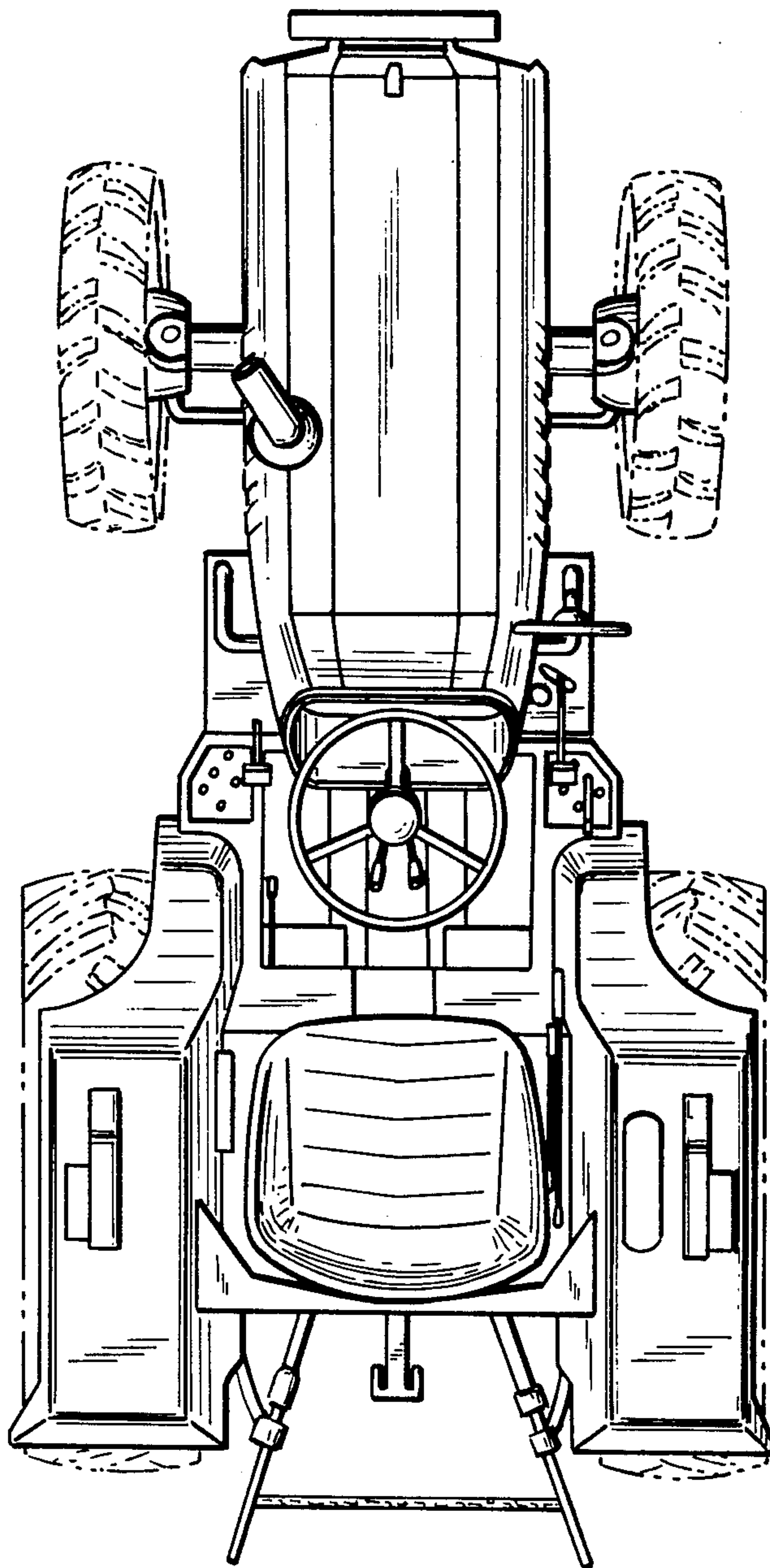


FIG. 4

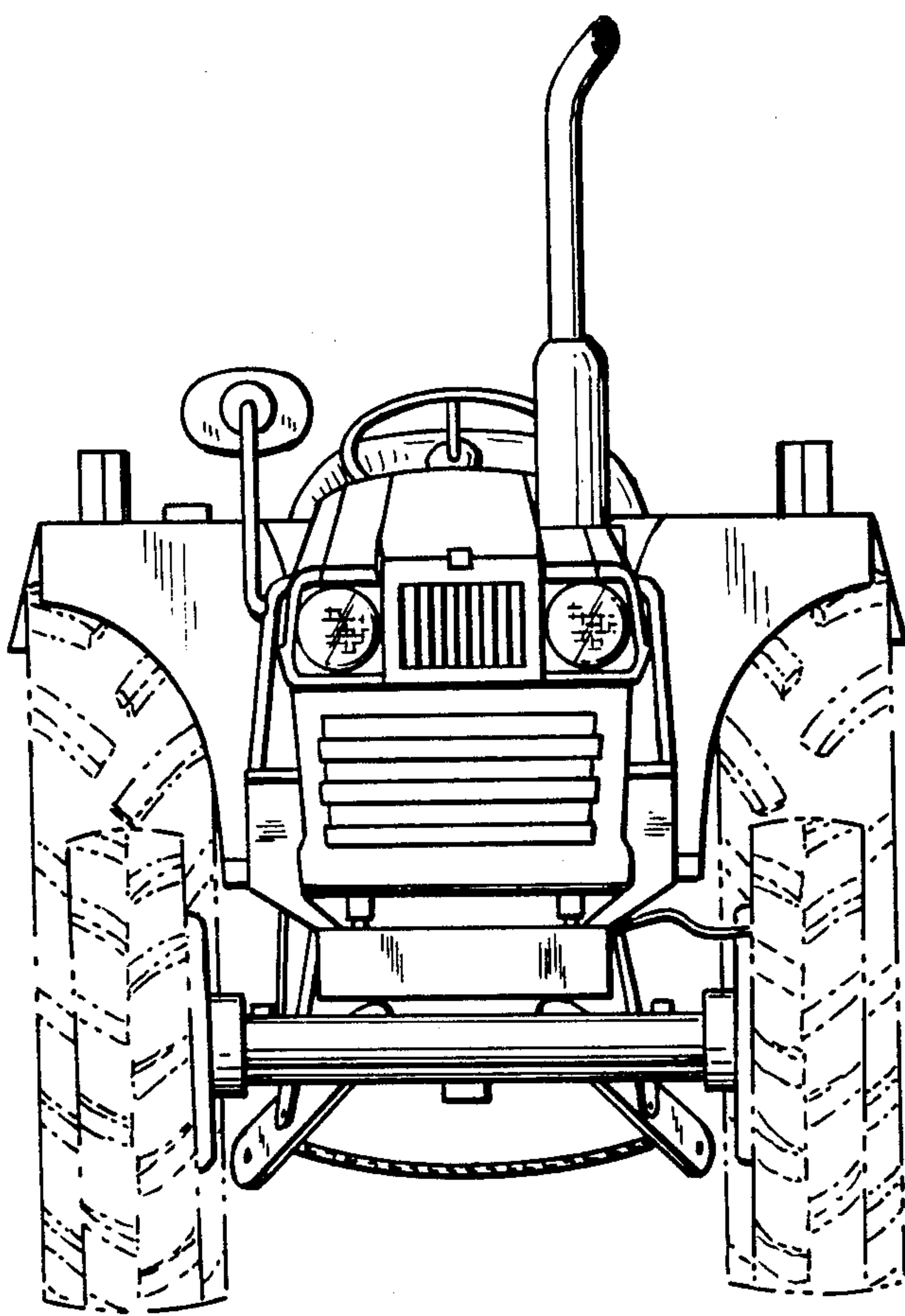


FIG. 5

