

[54] **PUMP IMPELLER HOUSING**

[76] Inventor: **Victor M. Serrambana**, 160 Hurlburt St., Glastonbury, Conn. 06033

[**] Term: **14 Years**

[21] Appl. No.: **895,879**

[22] Filed: **Apr. 13, 1978**

[51] Int. Cl. **D15-02**

[52] U.S. Cl. **D15/1**

[58] Field of Search **D15/7-9;**
415/203, 204, 206, 219 C

3,620,042 11/1971 Gray 415/219 C X

3,773,432 11/1973 Chow et al. 415/219 C X

3,809,493 5/1974 Pilarezyk 415/199.1

3,816,020 6/1974 Ogles 415/219 C X

3,967,915 7/1976 Litzenberg 415/219 C X

Primary Examiner—James R. Largen
Attorney, Agent, or Firm—John M. Prutzman

[57] **CLAIM**

The ornamental design of a pump impeller housing, substantially as shown and described.

DESCRIPTION

FIG. 1 is a left side view of a pump impeller housing showing my new design, the right side and top and bottom plan views being identical thereto;

FIG. 2 is a left end view thereof;

FIG. 3 is a right end view thereof; and

FIG. 4 is a section view thereof taken along line 4—4 of FIG. 2.

[56] **References Cited**

U.S. PATENT DOCUMENTS

D. 195,488 6/1963 Sadler D15/7

D. 205,691 9/1966 Ruliffson D15/7

D. 242,650 12/1976 McKesson D15/7 X

3,597,105 8/1971 Sadler 415/204 X

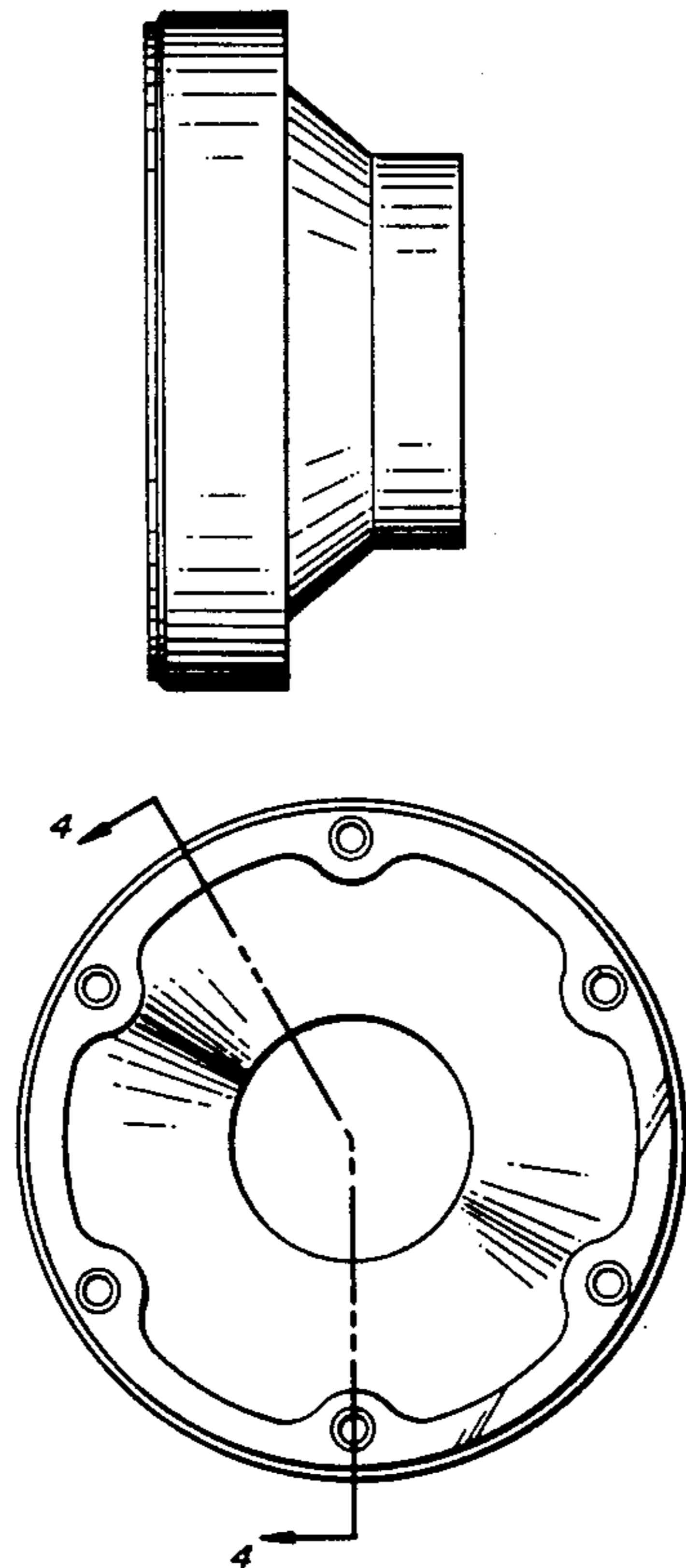


FIG. 1

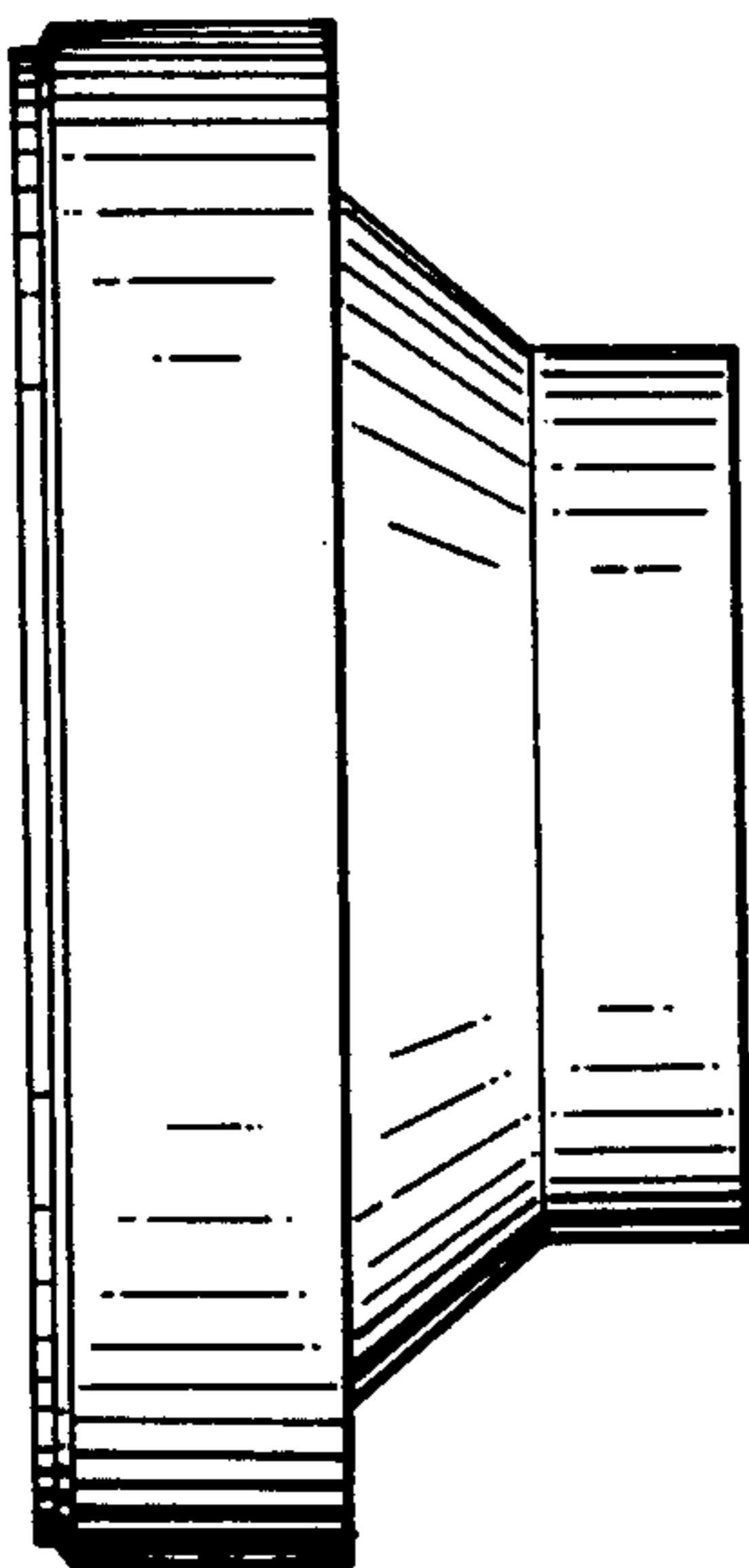


FIG. 4

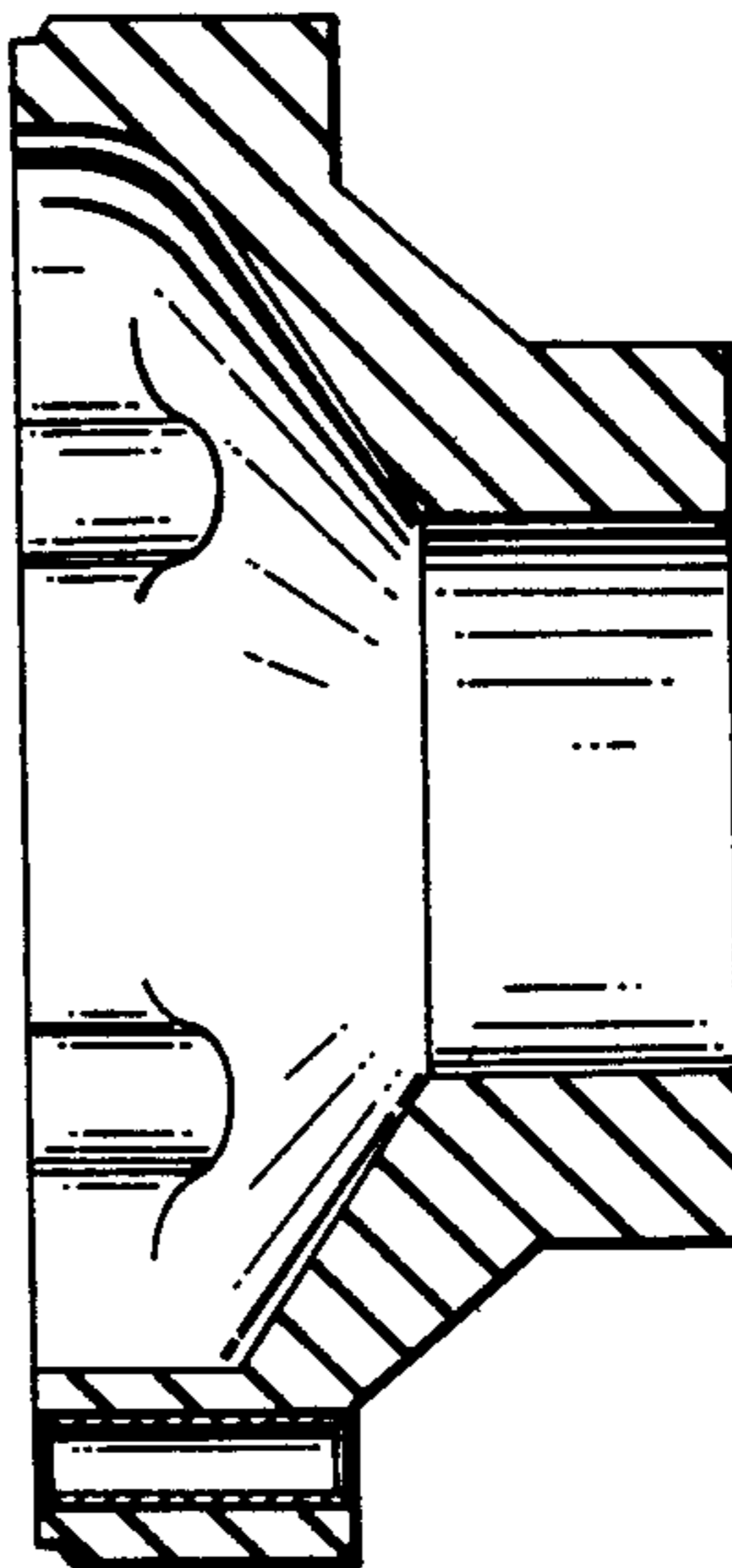


FIG. 2

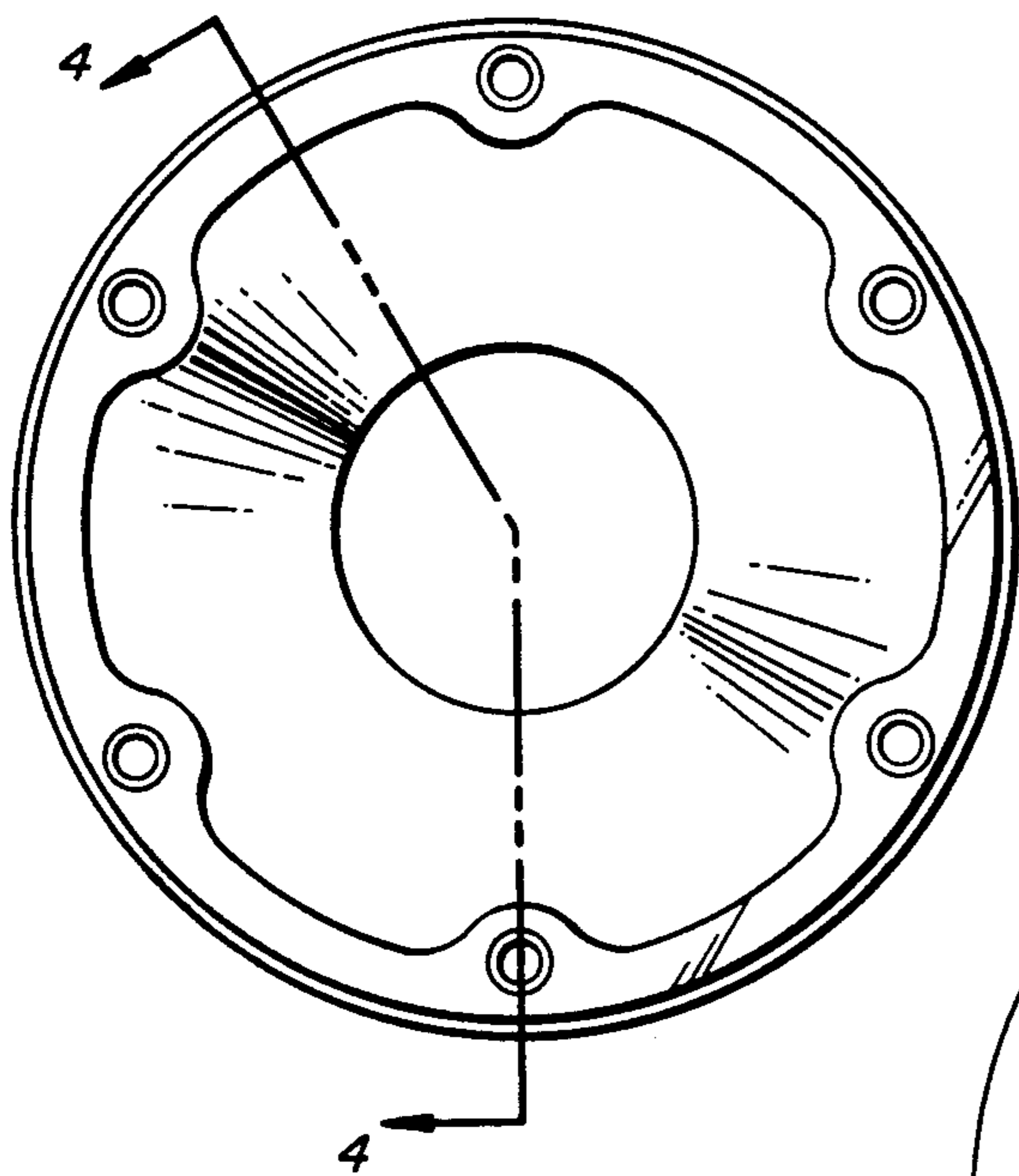


FIG. 3

