

[54] TELEPHONE ANSWERING
DEVICE-ADAPTER

[75] Inventor: Gerhard Dietrich, Nuremberg, Fed.
Rep. of Germany

[73] Assignee: Grundig Aktiengesellschaft, Furth,
Fed. Rep. of Germany

[**] Term: 14 Years

[21] Appl. No.: 938,531

[22] Filed: Aug. 31, 1978

[30] Foreign Application Priority Data

May 23, 1978 [DE] Fed. Rep. of Germany 6295

[51] Int. Cl. D14-03

[52] U.S. Cl. D14/66; D14/60

[58] Field of Search D14/66, 60, 53;
179/90 AD, 178, 179, 100 D, 90 BB

[56] References Cited

U.S. PATENT DOCUMENTS

D. 232,100	7/1974	Binks	D14/66
D. 236,008	7/1975	Wixon	D14/66
D. 250,891	1/1979	Renard	D14/66
D. 254,007	1/1980	Hampf	D14/66
D. 254,493	3/1980	Grosso et al.	D14/60 X
3,322,904	5/1967	McCay et al.	179/90 AD
3,940,573	2/1976	Healy et al.	179/90 BB

Primary Examiner—Bernard Ansher
Attorney, Agent, or Firm—Eric H. Waters

[57] CLAIM

The ornamental design for a telephone answering de-
vice-adapter, as shown.

DESCRIPTION

FIG. 1 is a perspective view of the recording apparatus
of my new design;
FIG. 2 is a side elevational view;
FIG. 3 is a top plan view;
FIG. 4 is a front view;
FIG. 5 is a rear view; and
FIG. 6 is a bottom plan view.

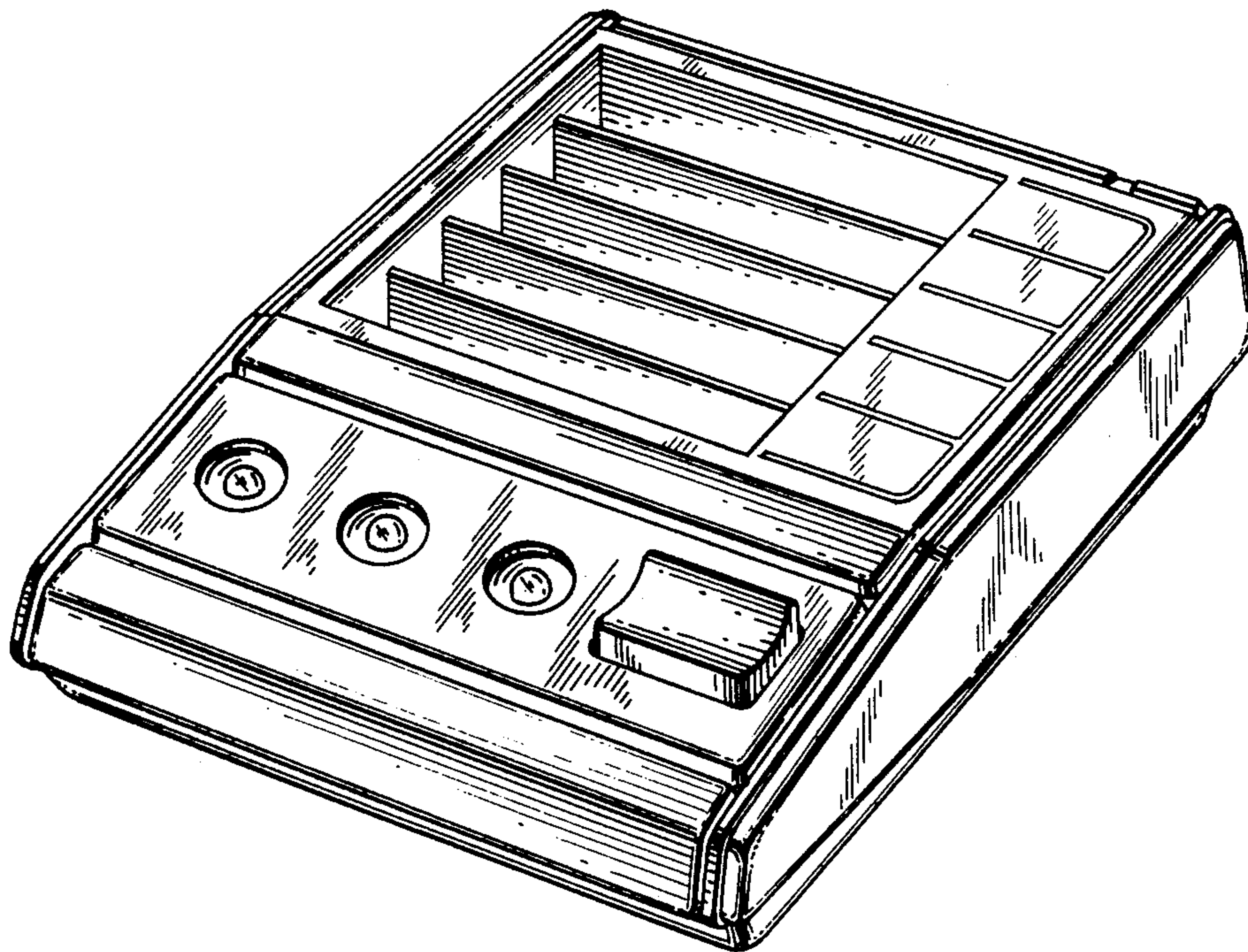


FIG. 1

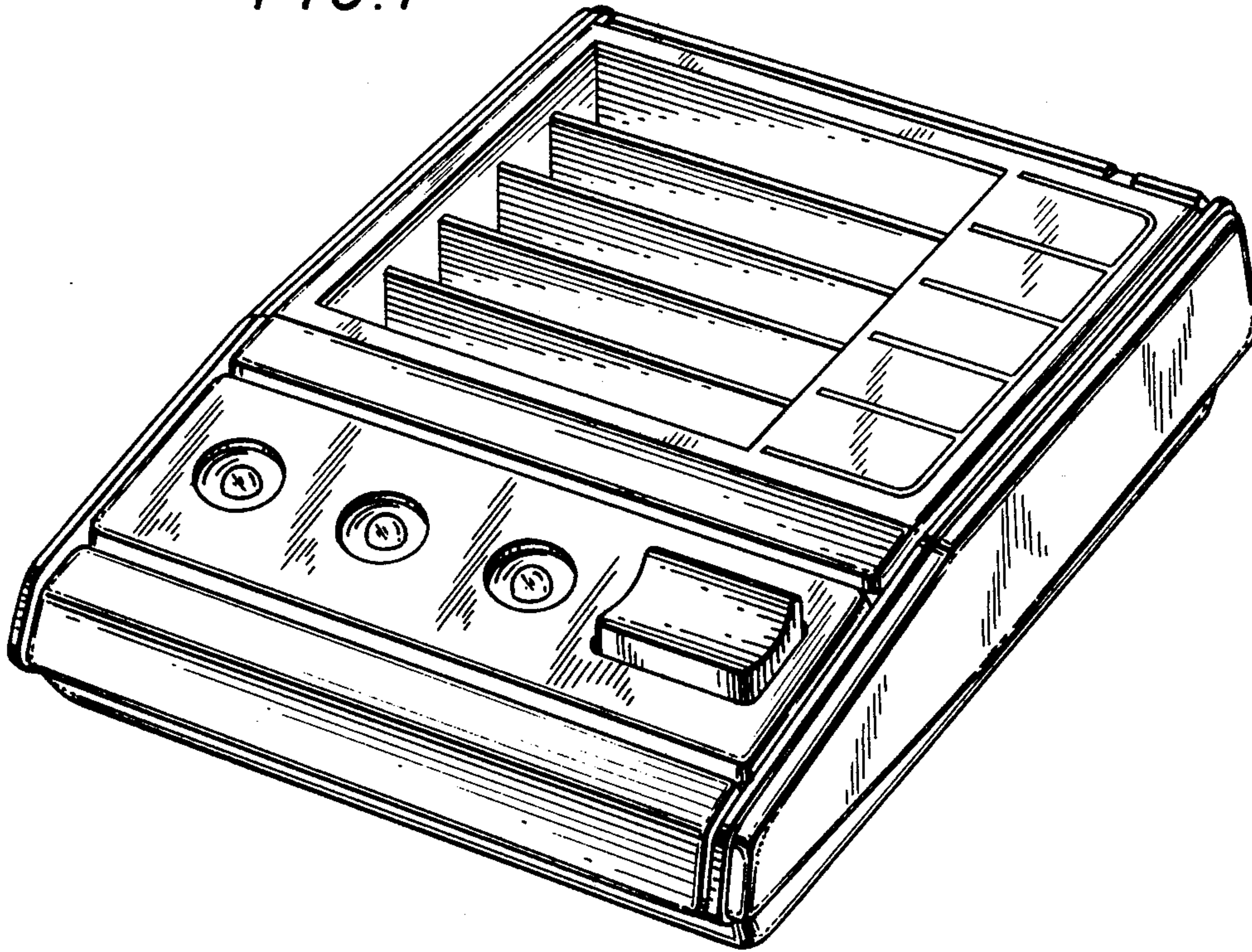


FIG. 2

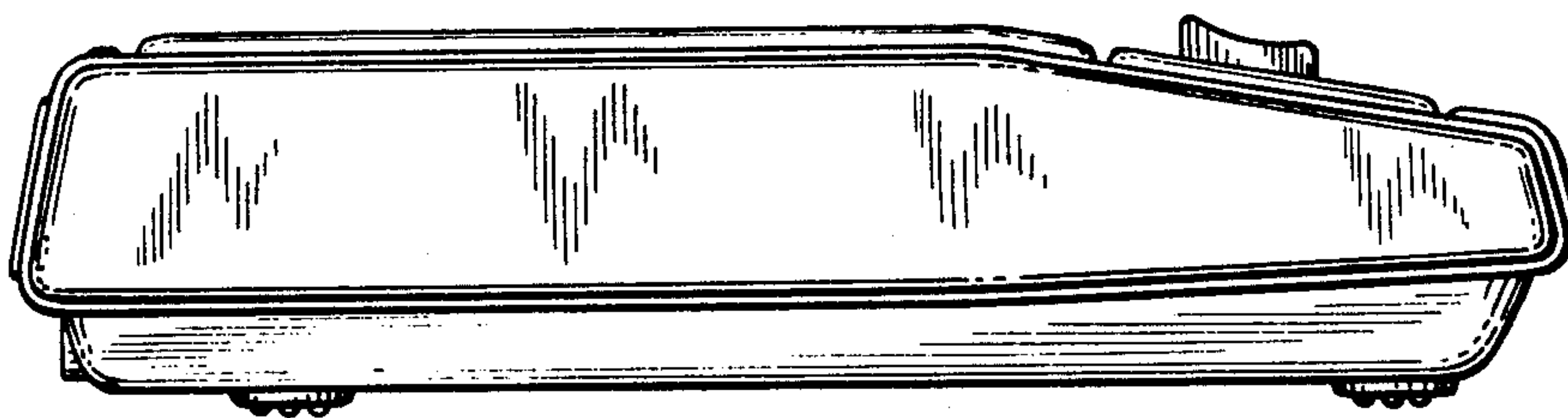


FIG. 3

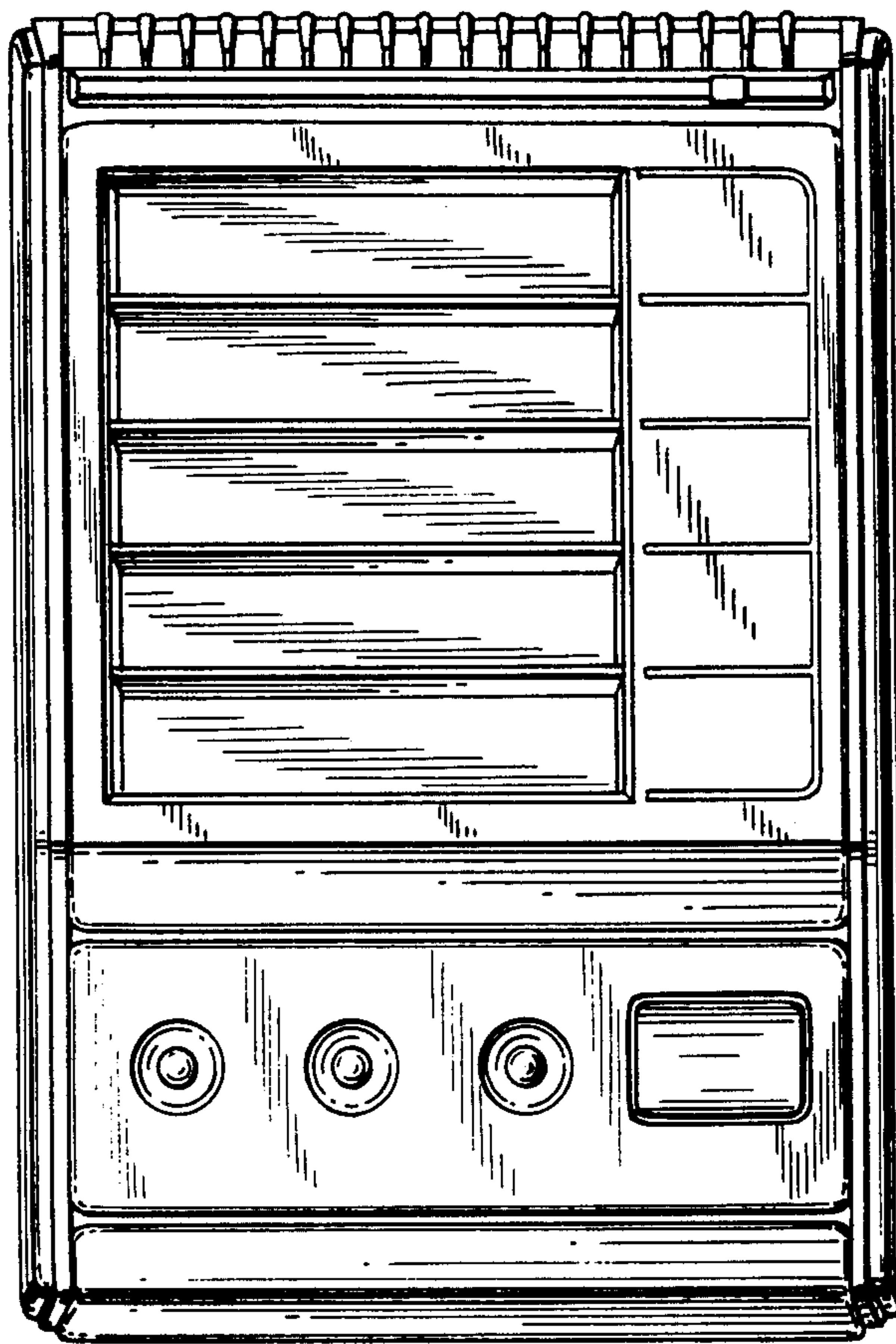


FIG. 4

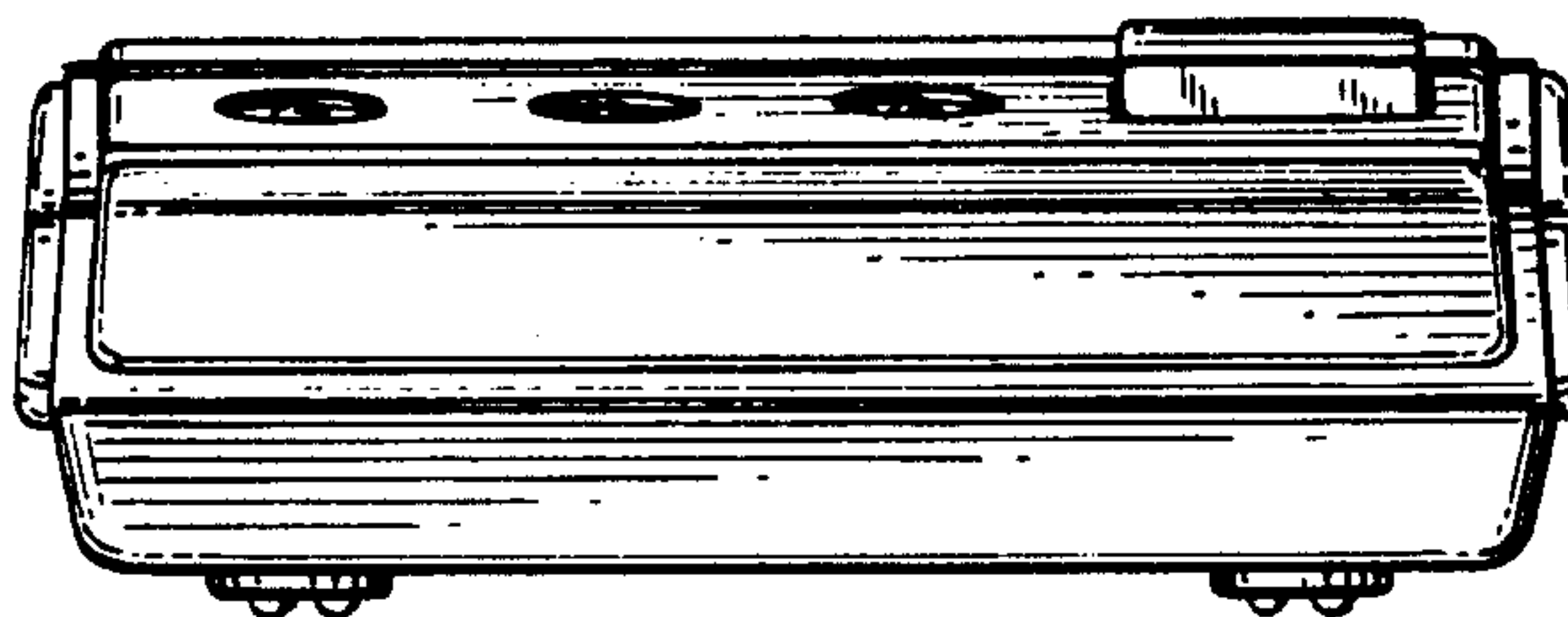


FIG. 5

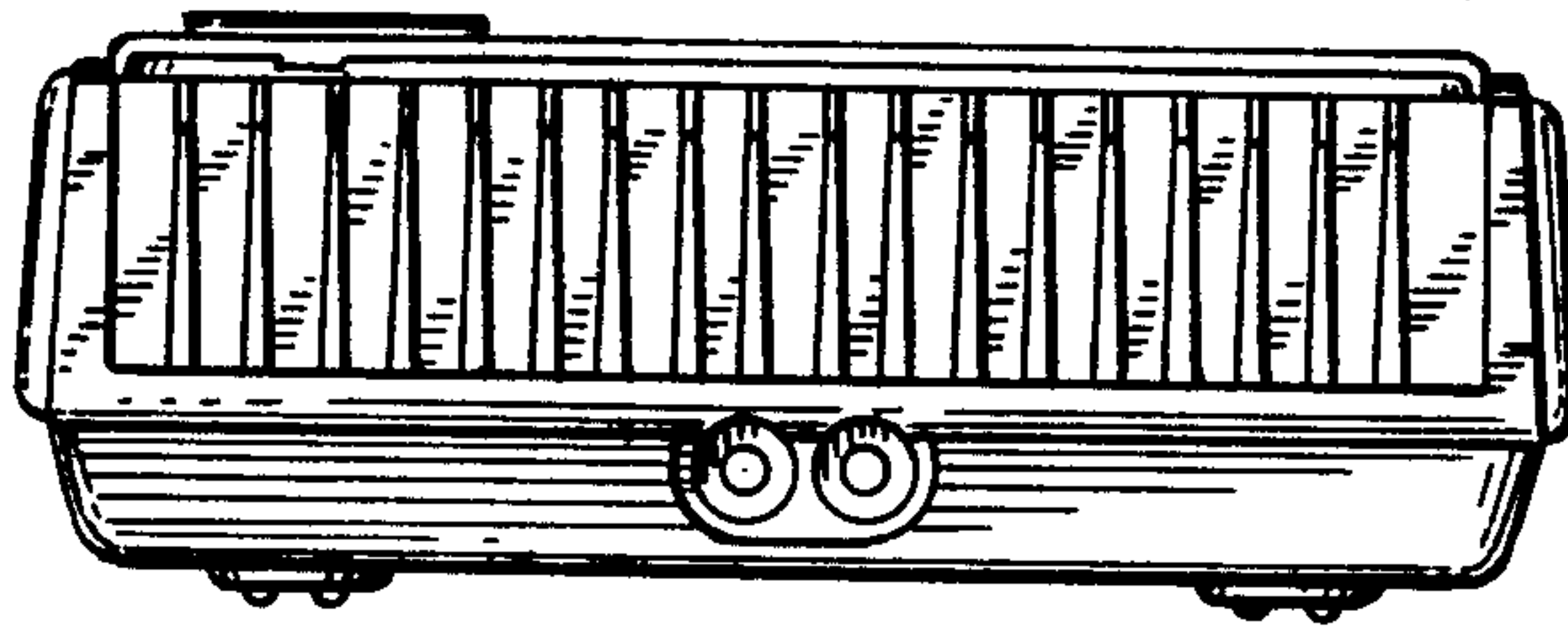


FIG. 6

