

[54] VEHICLE WHEEL

[75] Inventor: John R. Schinella, Bloomfield Hills, Mich.

[73] Assignee: General Motors Corporation, Detroit, Mich.

[\*\*] Term: 7 Years

[21] Appl. No.: 78,669

[22] Filed: Sep. 24, 1979

[51] Int. Cl. .... D12-16

[52] U.S. Cl. .... D12/211

[58] Field of Search ..... D12/205, 206, 209, 211; 301/63 R, 64 R, 64 SD, 65, 66

[56] References Cited

U.S. PATENT DOCUMENTS

- D. 248,295 6/1978 Day et al. .... D12/206
- D. 253,231 10/1979 Envall et al. .... D12/211

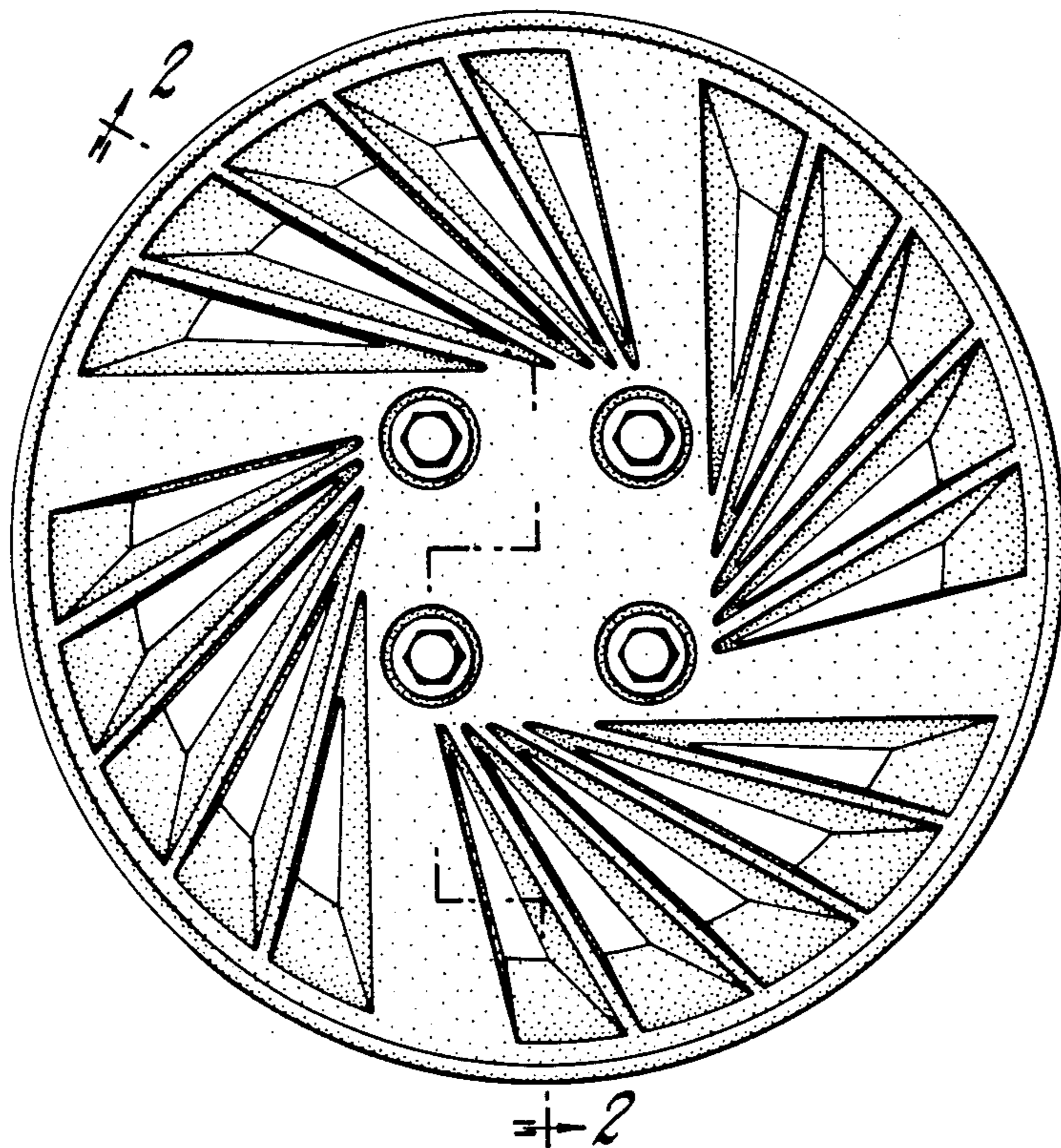
Primary Examiner—James M. Gandy  
Attorney, Agent, or Firm—Herbert Furman

[57] CLAIM

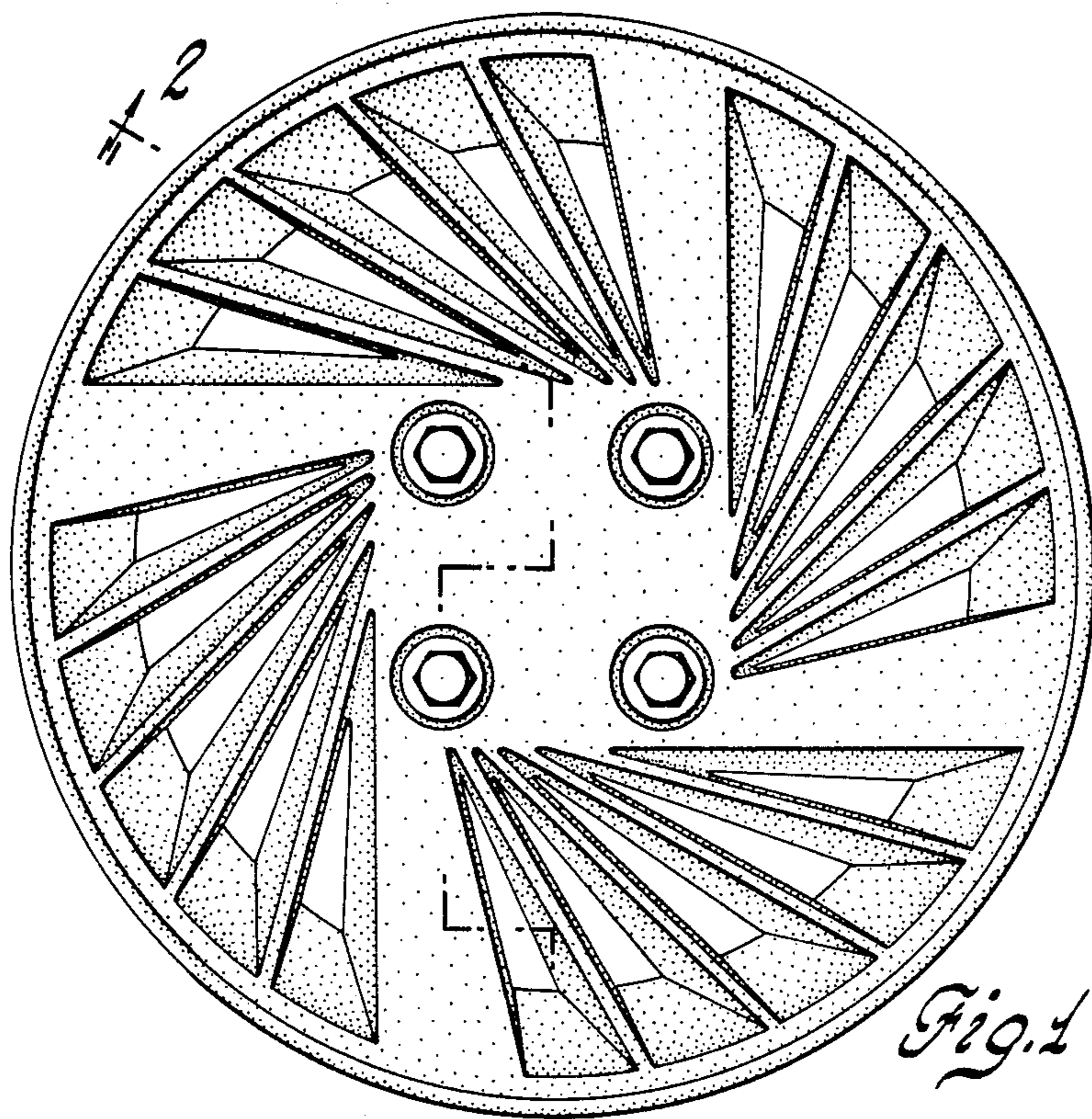
The ornamental design for a vehicle wheel, as shown and described.

DESCRIPTION

FIG. 1 is a front elevational view of a vehicle wheel; FIG. 2 is a sectional view taken generally along the plane indicated by line 2—2 of FIG. 1; and FIG. 3 is a fragmentary perspective view thereof, it being understood that the remainder of the vehicle wheel has been omitted for convenience of illustration.







2

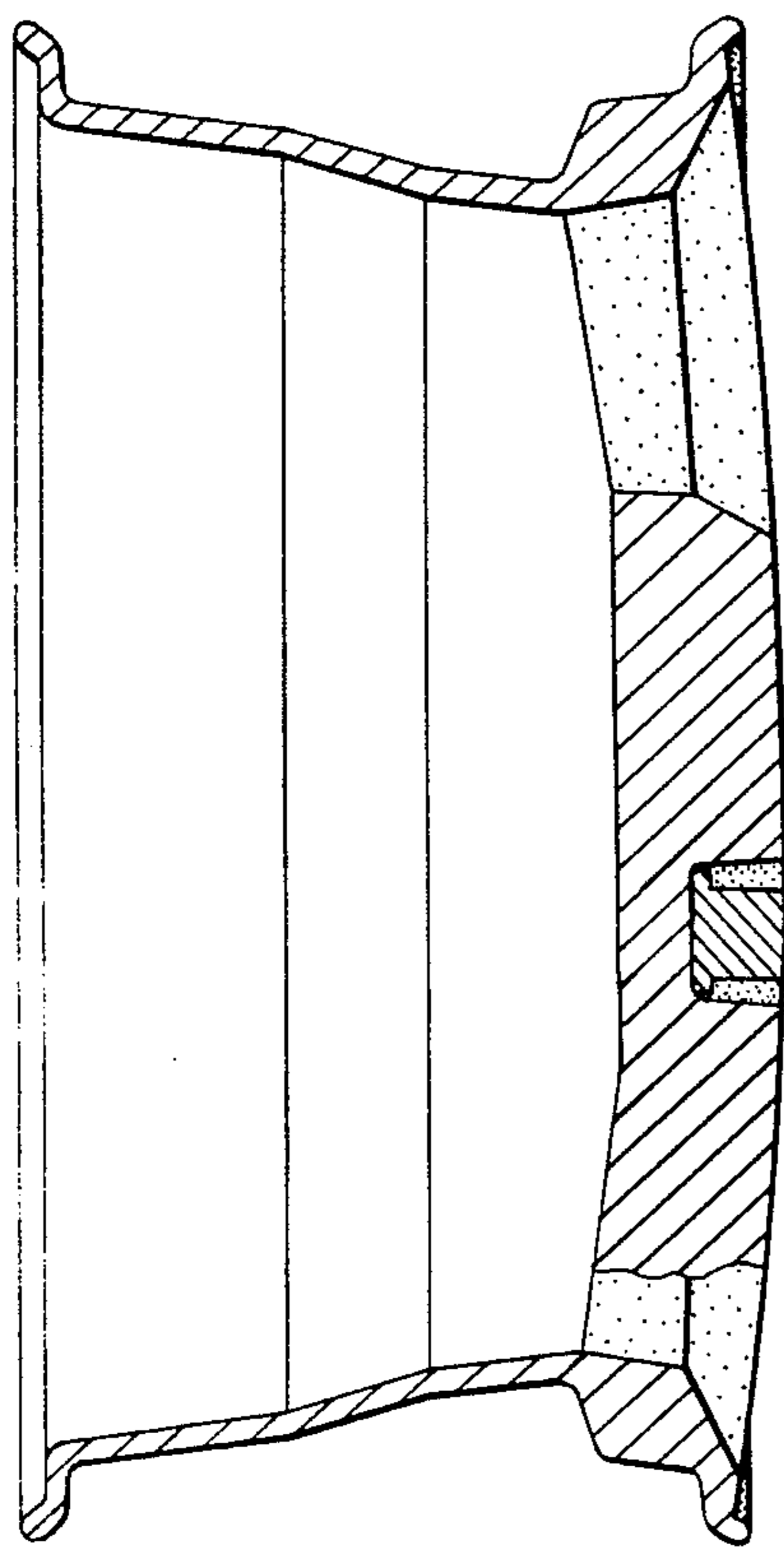


Fig. 2

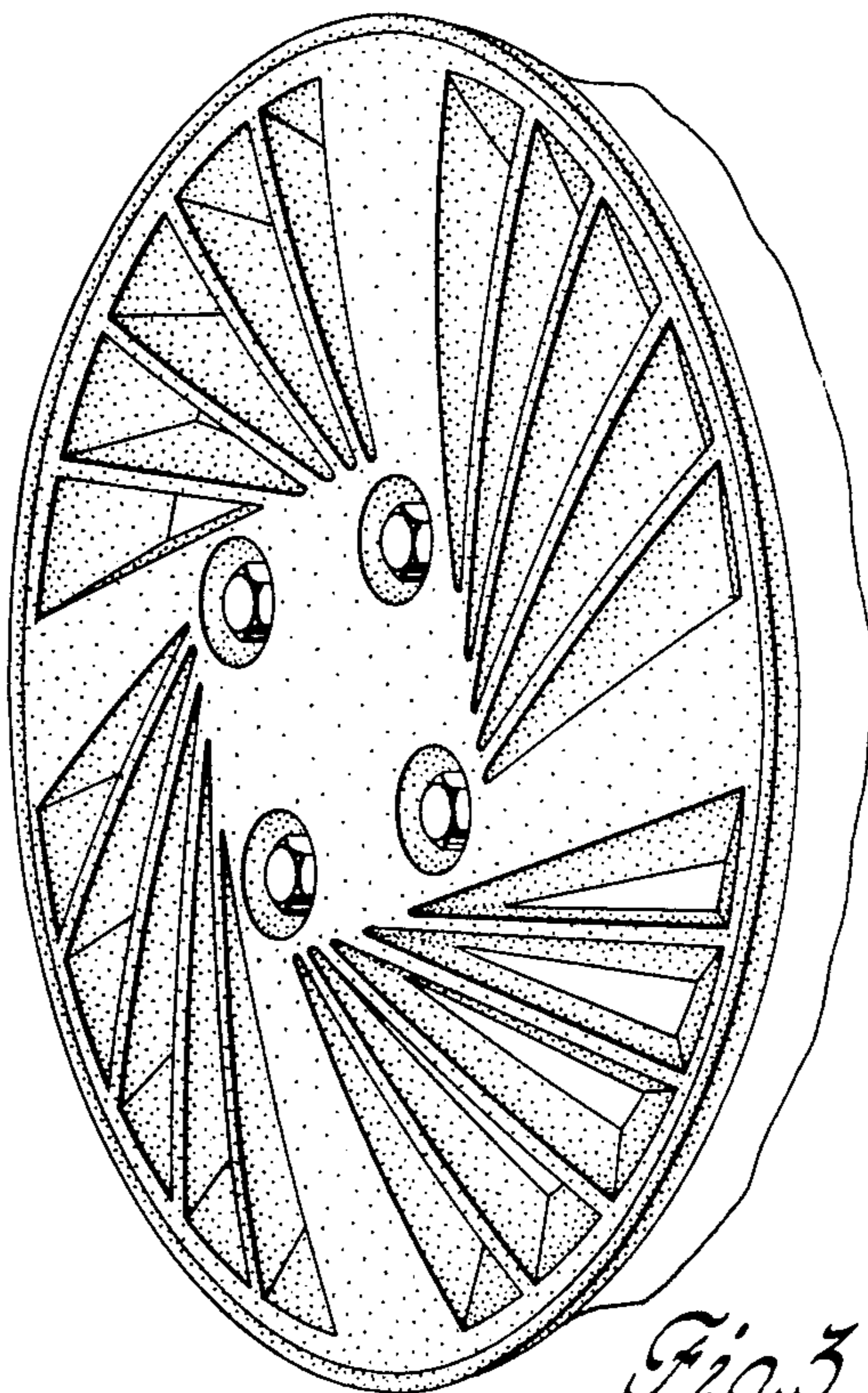


Fig. 3