

[54] CONVEYOR SLAT MEMBER OR SIMILAR ARTICLE

3,939,847 2/1976 Straeter 56/14.6
3,945,178 3/1976 Delfosse et al. 56/14.6
3,967,719 7/1976 Kloefkorn et al. 56/14.6

[76] Inventors: Earl W. Kloefkorn, deceased, late of Machnester, Okla.; by Melvin L. Kloefkorn, heir, Box 36, Manchester, Okla. 73758

FOREIGN PATENT DOCUMENTS

2438650 3/1976 Fed. Rep. of Germany 198/731

[**] Term: 14 Years

Primary Examiner—W. Stallard
Attorney, Agent, or Firm—Phillip A. Rein

[21] Appl. No.: 863,343

[57] CLAIM

[22] Filed: Dec. 20, 1977

The ornamental design for a conveyor slat member or similar article, as shown and described.

[51] Int. Cl. D12-05

DESCRIPTION

[52] U.S. Cl. D12/60

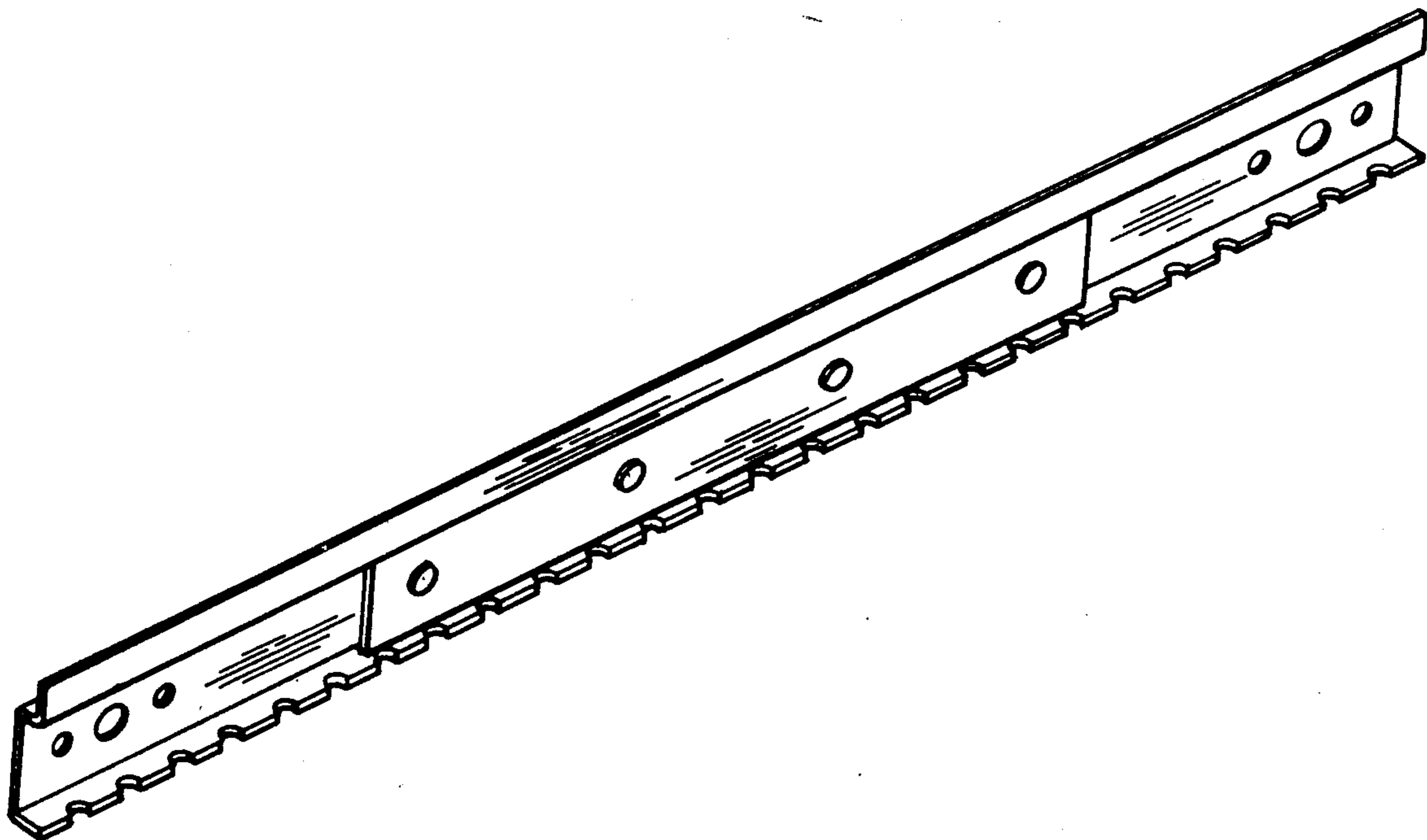
[58] Field of Search D12/53, 60; 198/731, 198/734, 698, 699, 688; 56/14.6

FIG. 1 is a perspective view of a conveyor slat member showing my new design;
FIG. 2 is an end view thereof;
FIG. 3 is a top plan view thereof taken along line 3-3 in FIG. 2;
FIG. 4 is a bottom plan view thereof taken along line 4-4 in FIG. 2;
FIG. 5 is a side elevational view thereof taken along line 5-5 in FIG. 3; and
FIG. 6 is a side elevational view thereof taken along line 6-6 in FIG. 4.

[56] References Cited

U.S. PATENT DOCUMENTS

1,560,716	11/1925	Newdick	198/731
2,195,796	4/1940	Currie	198/734
2,571,955	10/1951	Shields	198/731
2,815,116	12/1957	Erickson	198/734
3,316,978	5/1967	Hines	198/688



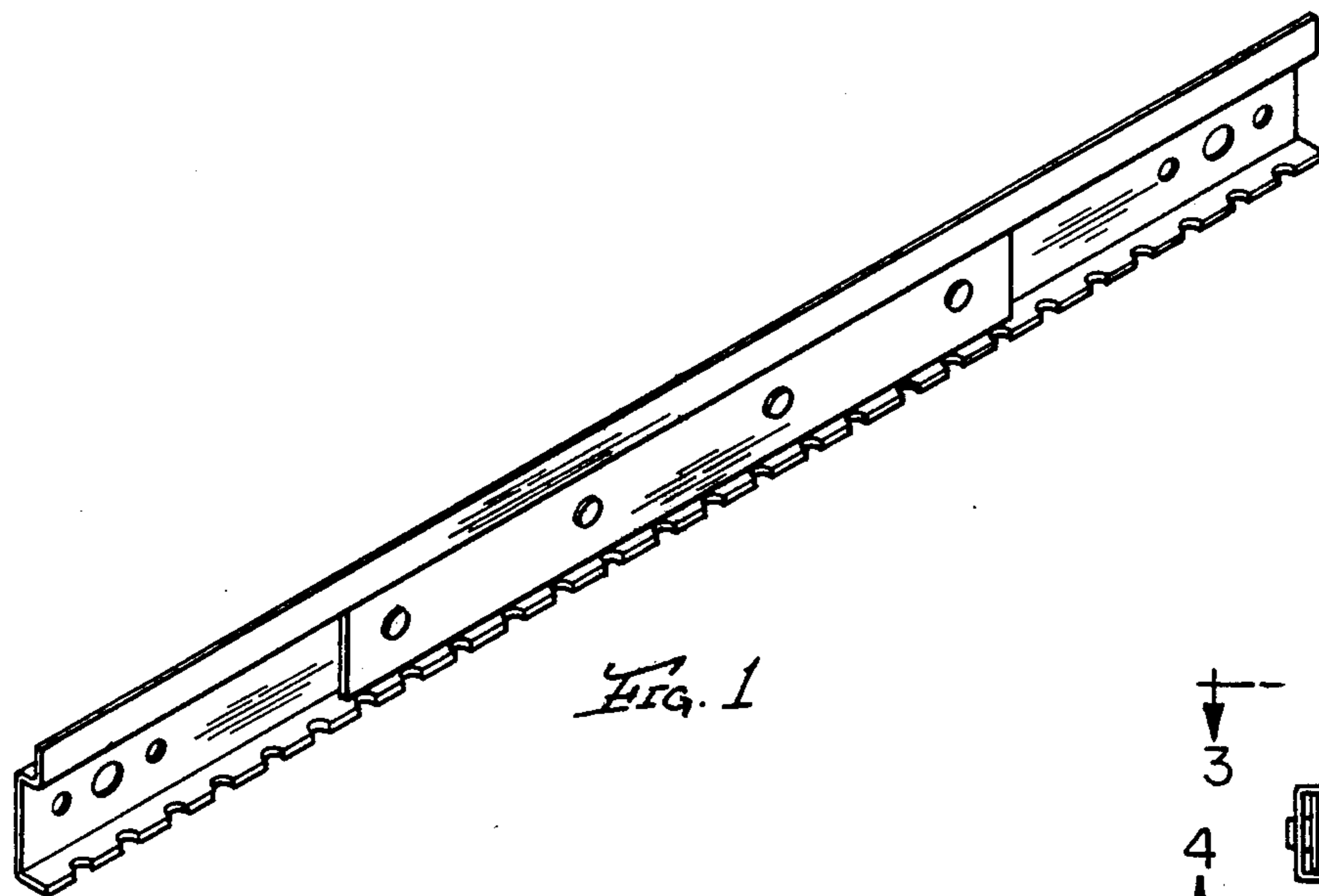


FIG. 1

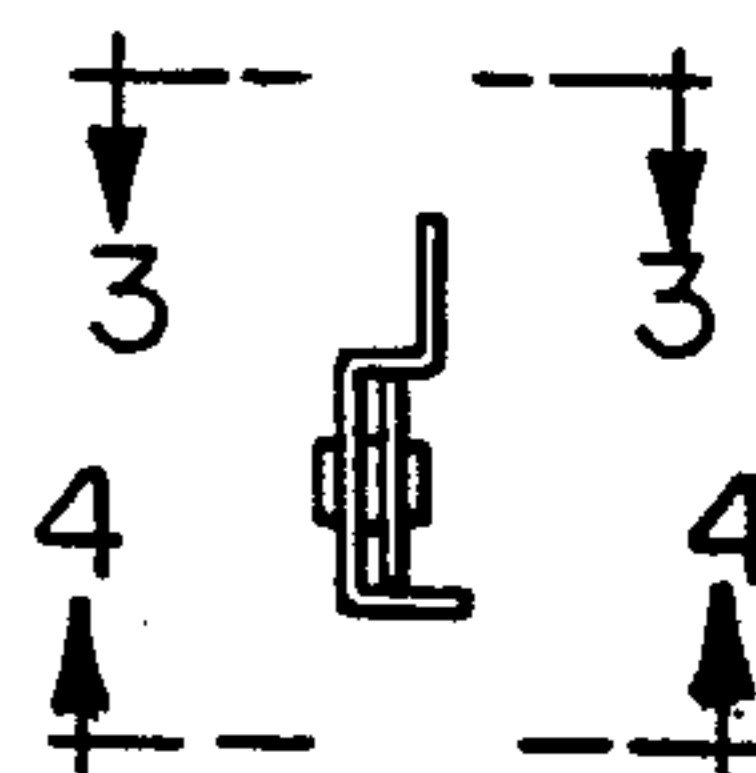


FIG. 2



FIG. 3

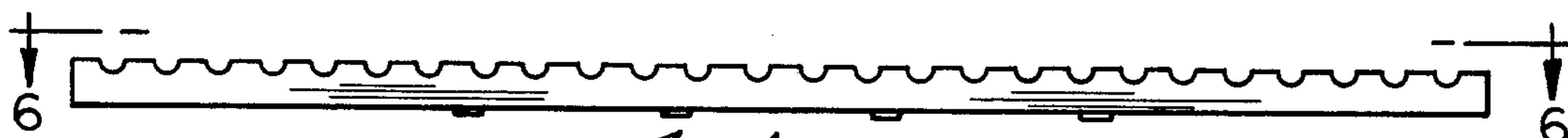


FIG. 4

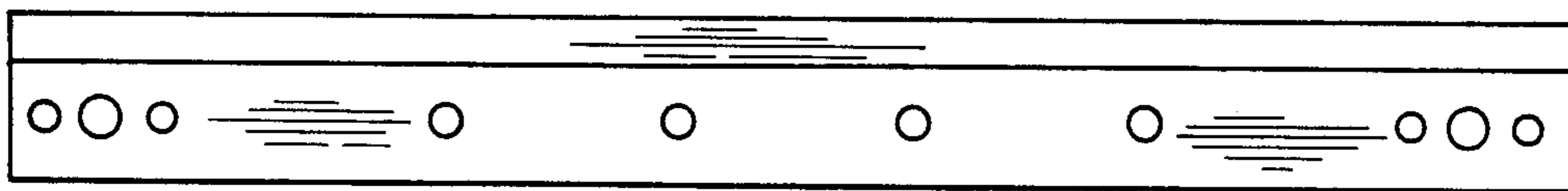


FIG. 5

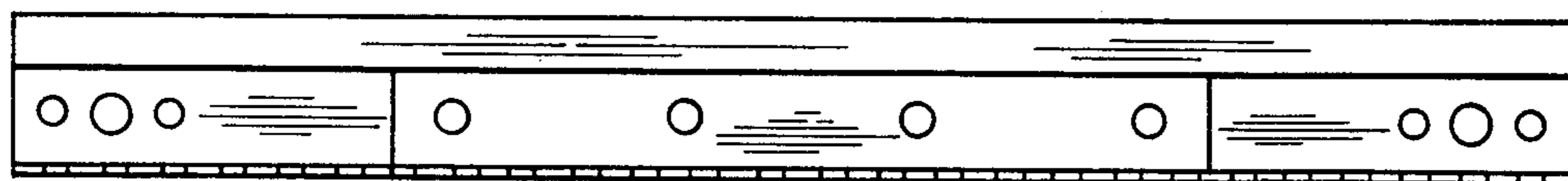


FIG. 6