

[54] MINE ROOF WARNING INDICATOR

[76] Inventors: Larry L. Brown, 2802 Corral Dr., St. Louis, Mo. 63010; Robert G. Hamm, 3905 Shenandoah, St. Louis, Mo. 63110

[\*\*] Term: 14 Years

[21] Appl. No.: 971,949

[22] Filed: Dec. 21, 1978

[51] Int. Cl. .... D10-06

[52] U.S. Cl. .... D10/104

[58] Field of Search ..... D10/104, 106; 340/213, 340/282, 421; 116/114; 85/62; 200/52, 56; 61/35; 33/1 H

[56] References Cited

U.S. PATENT DOCUMENTS

2,725,843 12/1955 Koski ..... 116/114

3,111,655 11/1963 Kotarsky et al. .... 340/213  
3,137,268 6/1964 Hornwood ..... 116/114  
3,786,503 1/1974 Webb et al. .... 340/421

Primary Examiner—W. Stallard  
Attorney, Agent, or Firm—Neal Kalishman

[57] CLAIM

The ornamental design for a mine roof warning indicator, as shown.

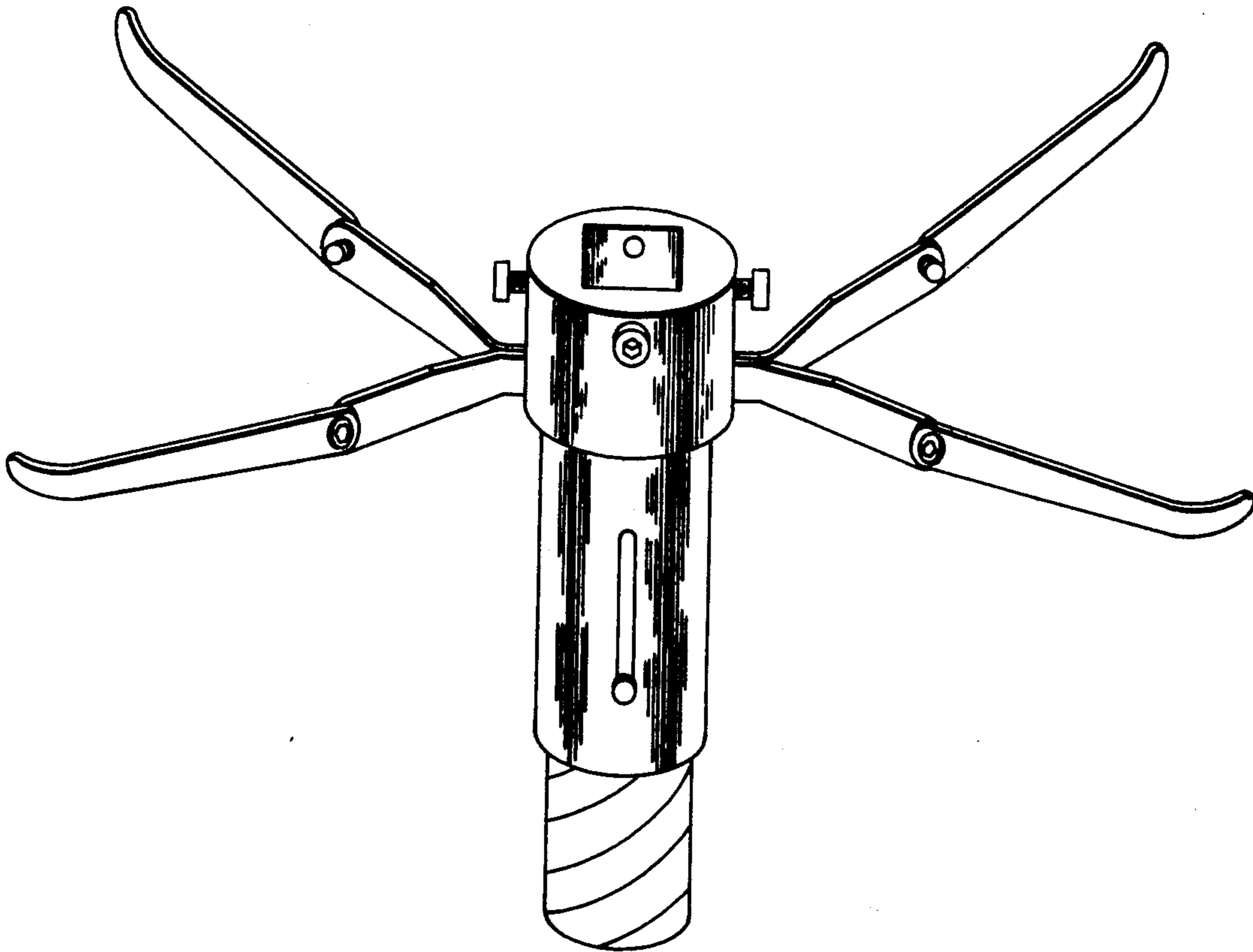
DESCRIPTION

FIG. 1 is a prospective view of the mine roof warning indicator showing our new design.

FIG. 2 is a perspective view with the indicator means in the danger warning position of the mine roof warning indicator showing our new design.

FIG. 3 is a top view of the mine roof warning indicator showing our new design.

FIG. 4 is a bottom view of a mine roof warning indicator showing our new design.



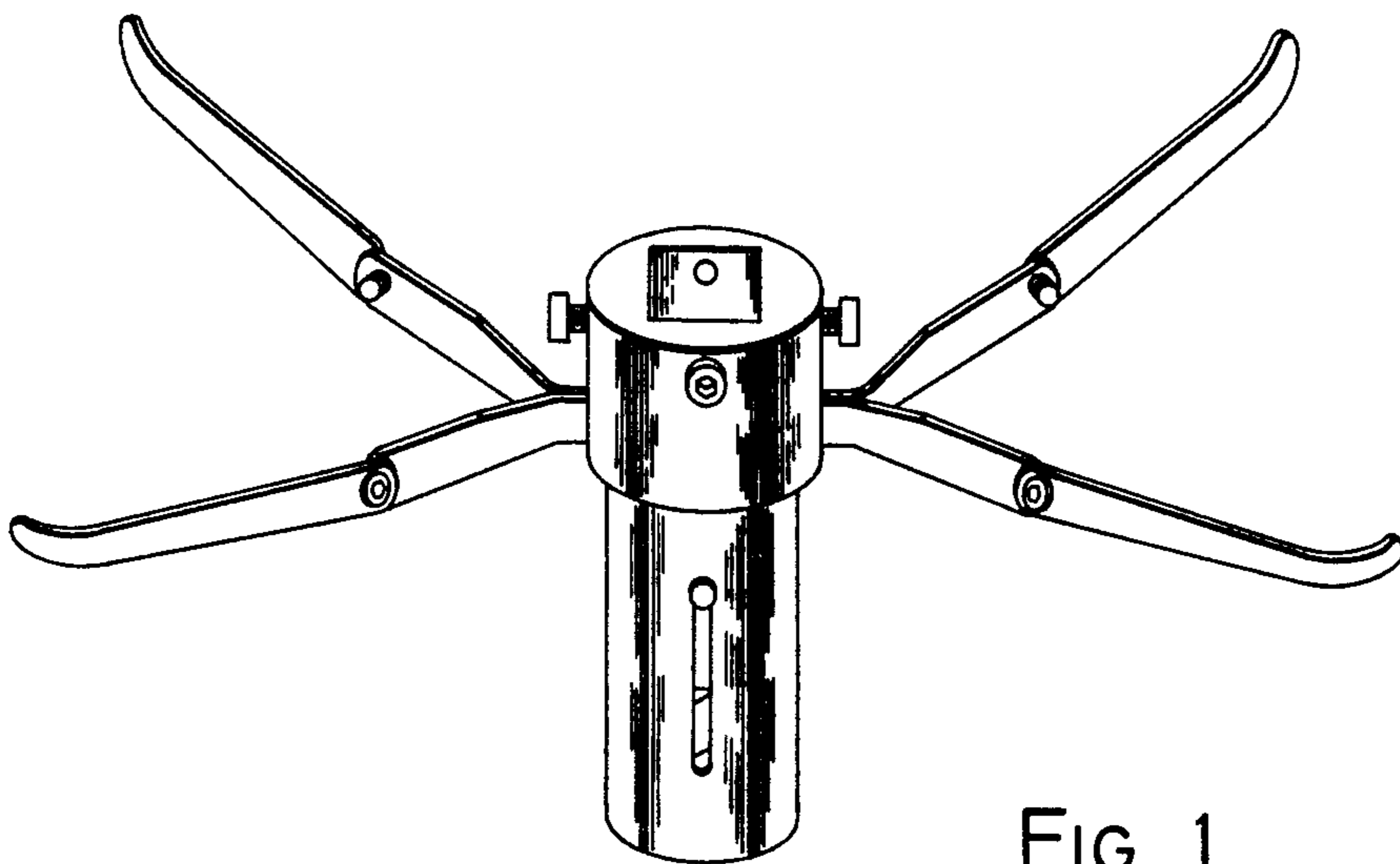


FIG. 1

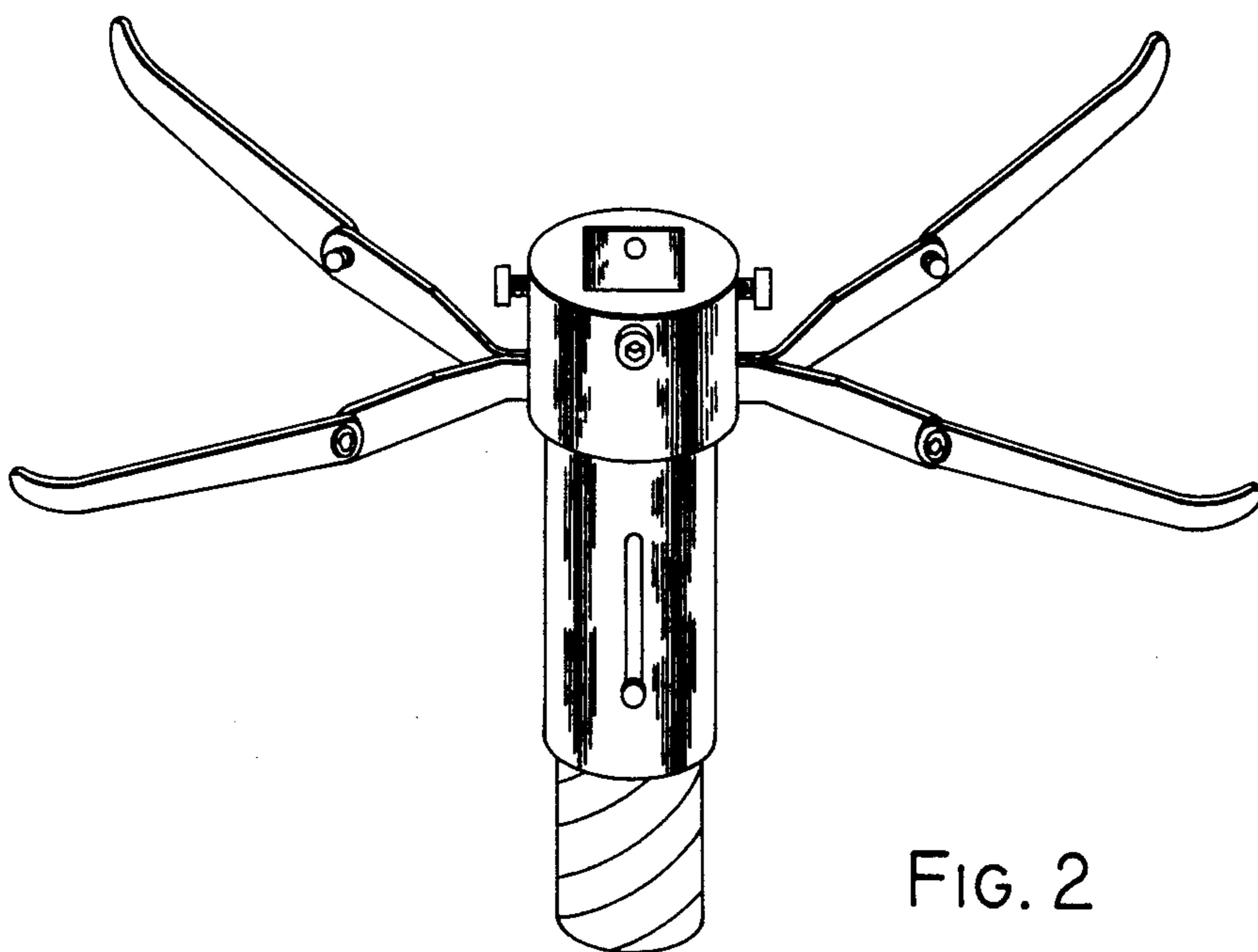


FIG. 2

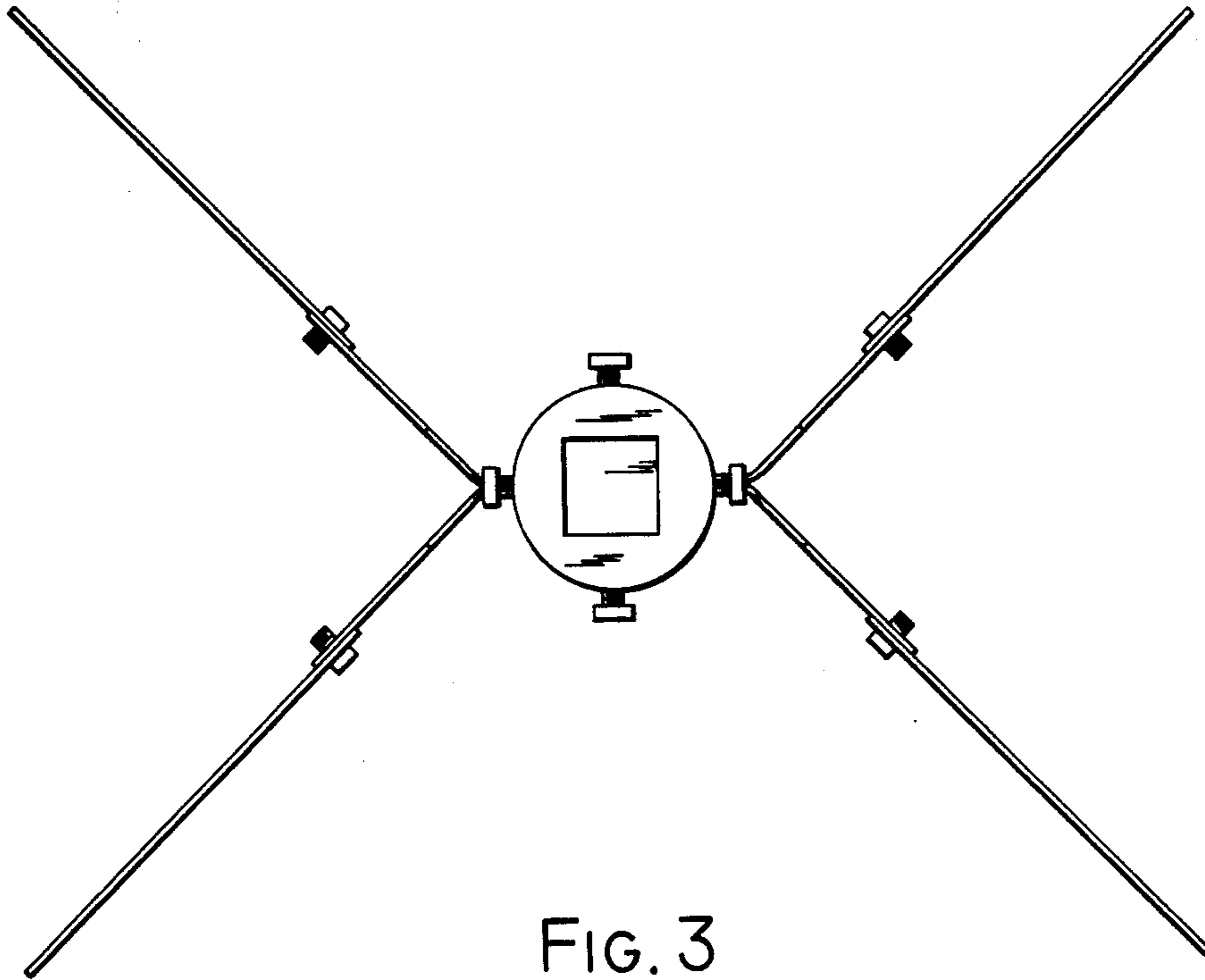


FIG. 3

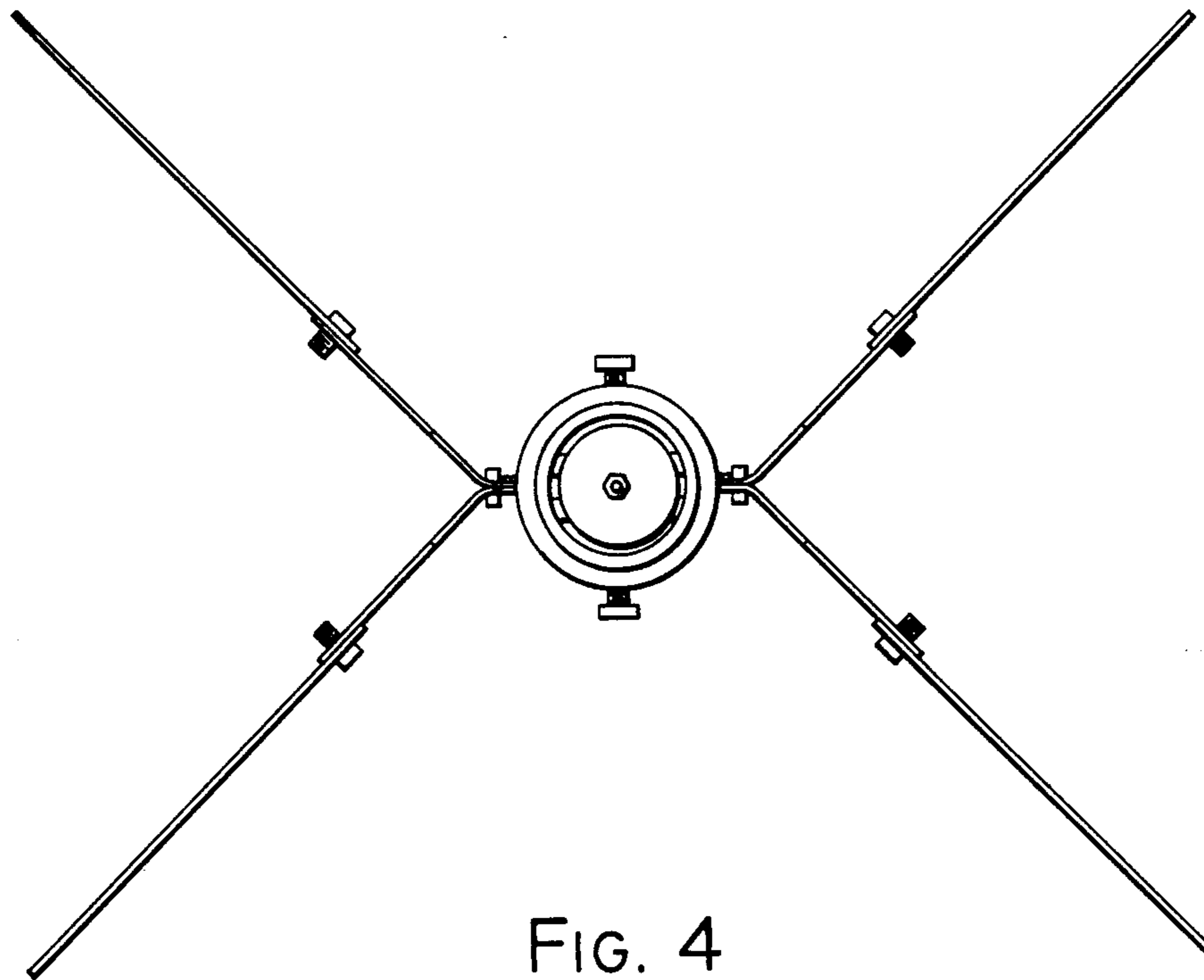


FIG. 4