

[54] CONTAINER CLOSURE

[75] Inventors: Clifford J. Ludwig, Jr., Southgate, Ky.; Walter J. Gerk, Chicago, Ill.

[73] Assignee: The Drackett Company, Cincinnati, Ohio

[**] Term: 14 Years

[21] Appl. No.: 899,763

[22] Filed: Apr. 24, 1978

[51] Int. Cl. D09-07

[52] U.S. Cl. D9/439; D9/443

[58] Field of Search D9/253, 254, 171, 222, D9/261, 262, 265, 267, 280, 281, 275; 206/217; 215/200, 211, 215, 216, 305, 316, 317, 321, 324, 325, 327, 353, 354, DIG. 7; 220/200, 306, 307, 309, 352, 356; 229/43; D7/16, 17, 39, 40, 131

[56] References Cited

U.S. PATENT DOCUMENTS

2,106,453 1/1938 Ekdahl 220/90.4

3,001,658	9/1961	Herter	215/200
3,048,299	8/1962	Hutchinson	220/270
3,858,741	1/1975	Smith, Sr.	215/216
3,979,015	9/1976	Arfert	220/307

Primary Examiner—Joel Stearman
Assistant Examiner—Carmen H. Vales
Attorney, Agent, or Firm—Sharon A. Blinkoff; George A. Mentis

[57] CLAIM

The ornamental design for the container closure, as shown and described.

DESCRIPTION

FIG. 1 is a top plan view of a container closure showing our new design;
FIG. 2 is a side elevational view thereof;
FIG. 3 is a front elevational view thereof;
FIG. 4 is a rear elevational view thereof;
FIG. 5 is a bottom plan view thereof;
FIG. 6 is a cross-sectional view taken along line 6-6 of FIG. 1 on an enlarged scale and
FIG. 7 is a cross-sectioned view taken along line 7-7 of FIG. 1 on an enlarged scale.

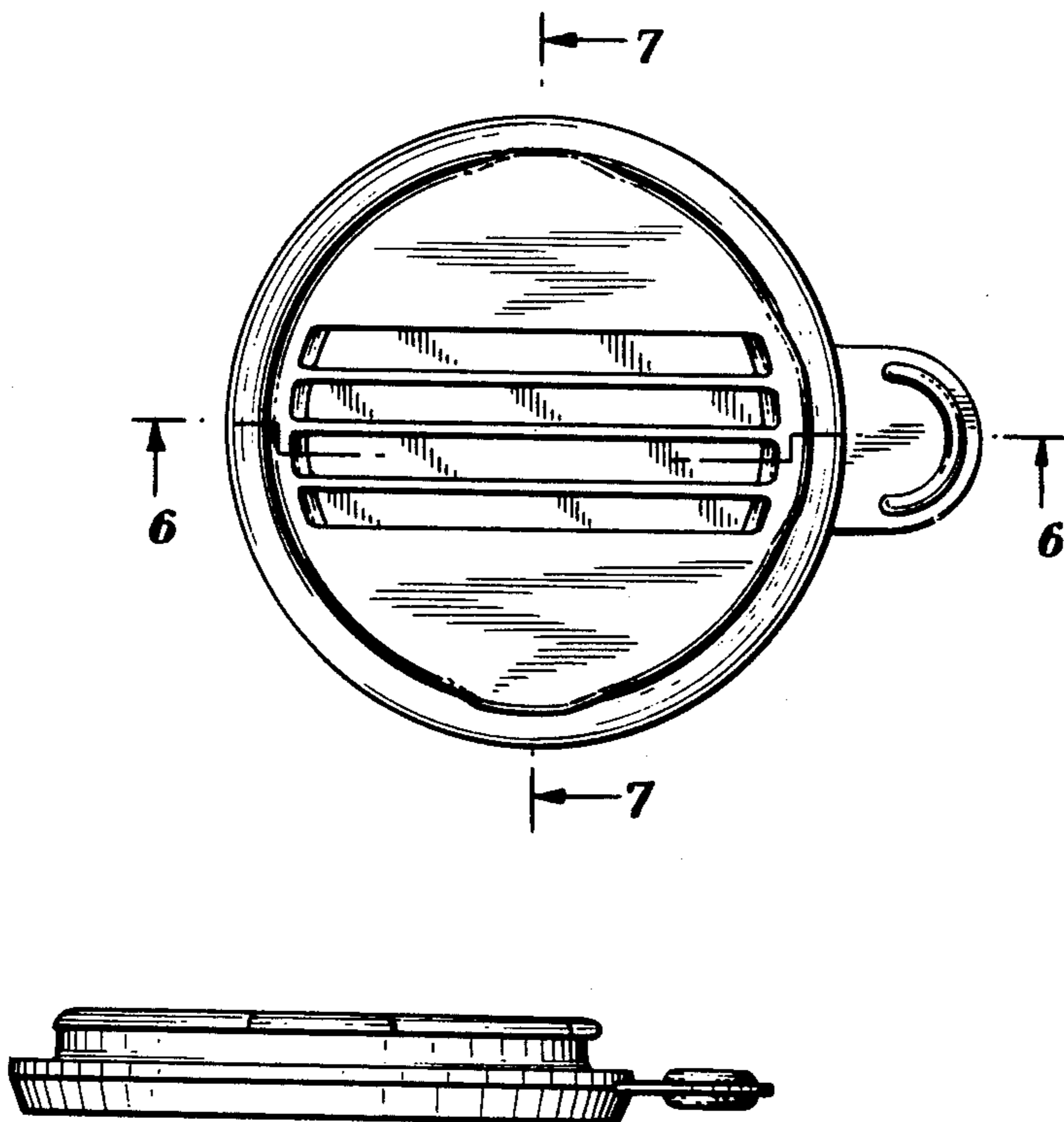


FIG. 1

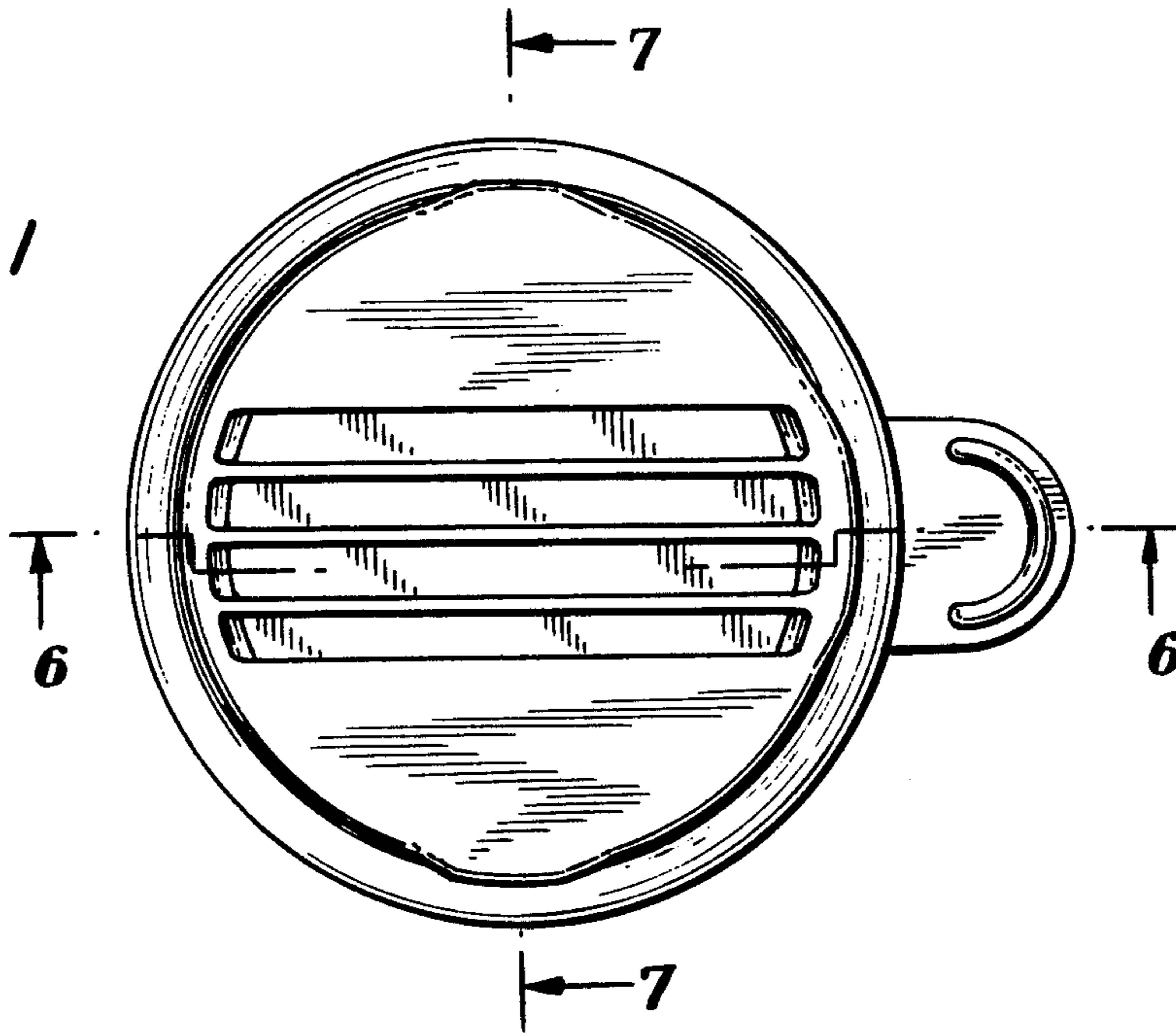


FIG. 2

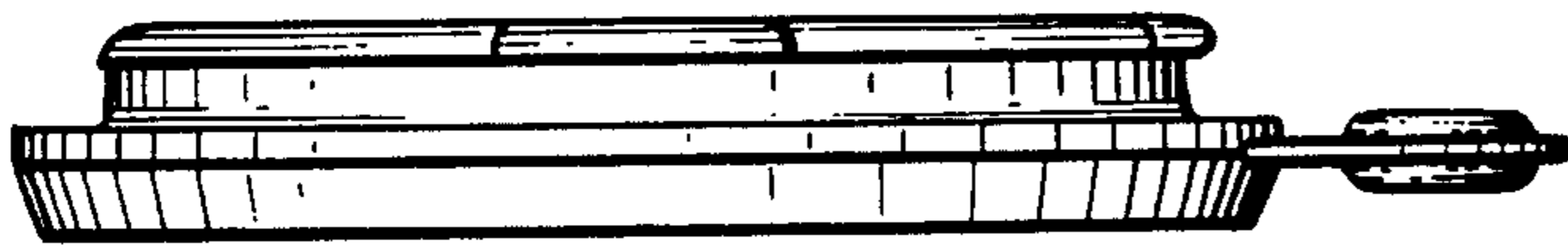


FIG. 3

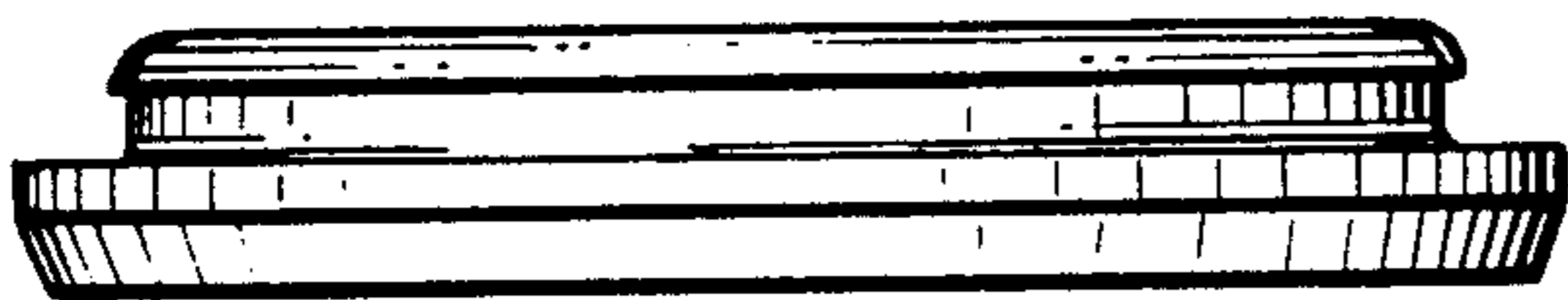
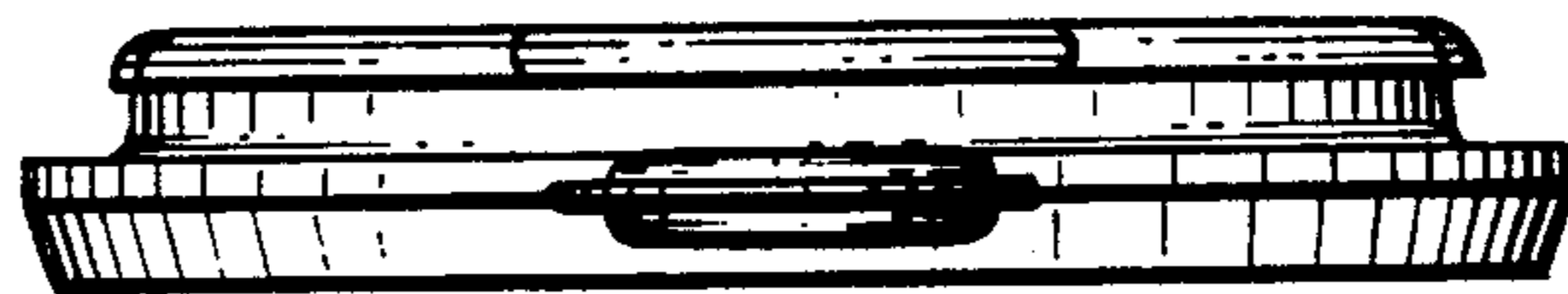


FIG. 4

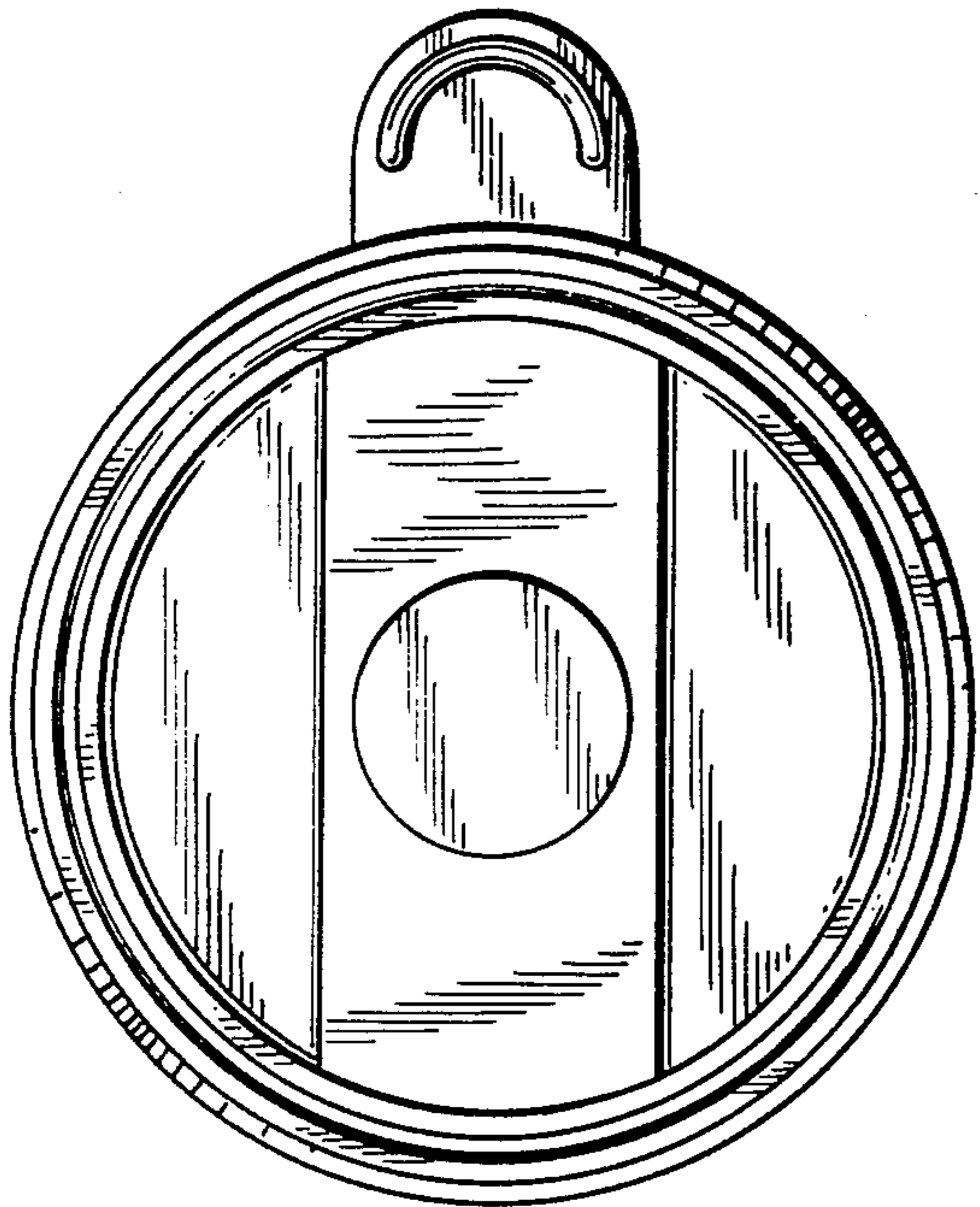


FIG. 5

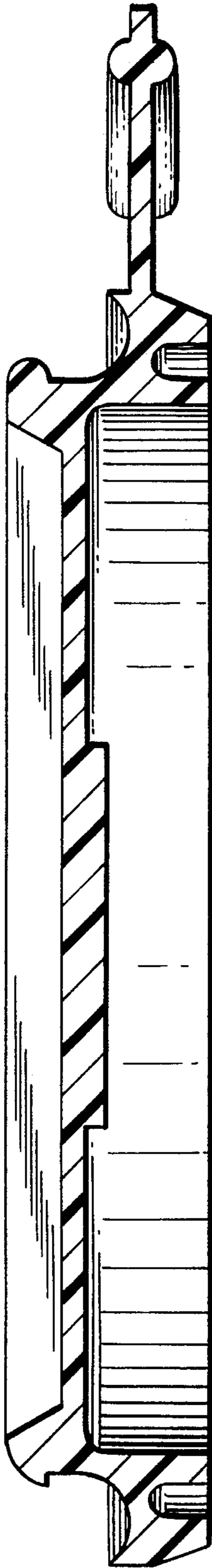


FIG. 6

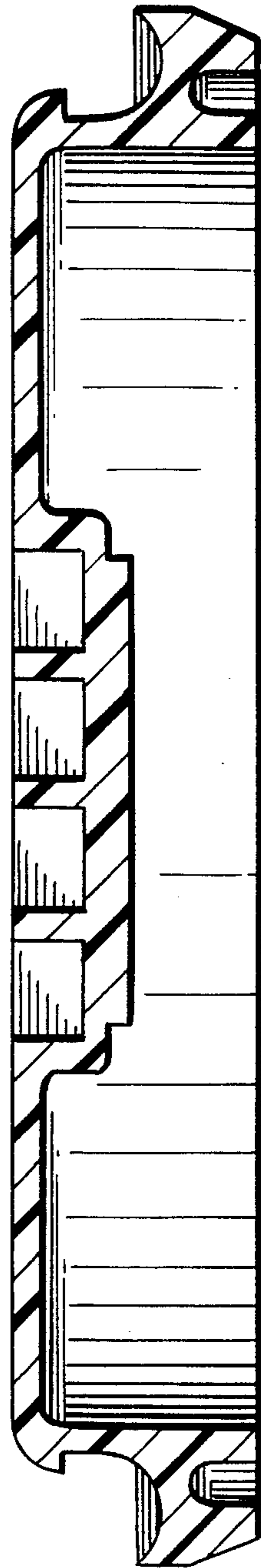


FIG. 7

UNITED STATES PATENT AND TRADEMARK OFFICE
CERTIFICATE OF CORRECTION

PATENT NO. : Des. 258,496

DATED : March 10, 1981

INVENTOR(S) : Clifford J. Ludwig, Jr. and Walter J. Gerke

It is certified that error appears in the above-identified patent and that said Letters Patent are hereby corrected as shown below:

On the title page, in the description:

At line 1, delete --top-- and insert "bottom" therefor, and

at line 6, delete --bottom-- and insert "top" therefor.

Signed and Sealed this

Tenth Day of August 1982

[SEAL]

Attest:

GERALD J. MOSSINGHOFF

Attesting Officer

Commissioner of Patents and Trademarks