

[54] **PACKAGING CONTAINER WITH CAP**

[75] Inventor: **Stuart E. Benedict**, Pleasantville, N.Y.

[73] Assignee: **Union Carbide Corporation**, New York, N.Y.

[**] Term: **14 Years**

[21] Appl. No.: **919,843**

[22] Filed: **Jun. 28, 1978**

[51] Int. Cl. **D9—03**

[52] U.S. Cl. **D9/388; D9/403**

[58] Field of Search **D9/12, 58-85, D9/143, 144, 175, 216, 222-240, 193**

[56] **References Cited**

U.S. PATENT DOCUMENTS

D. 50,182 1/1917 Boyle, Sr. D9/175

D. 74,320 1/1928 Preston D9/144

D. 101,011 8/1936 Scurlock D9/63

D. 122,184 8/1940 Martin, Jr. D9/222

D. 247,348 2/1978 Grodin D9/64

Primary Examiner—Robert C. Spangler
Attorney, Agent, or Firm—James C. Arvantes

[57] **CLAIM**

The ornamental design for a packaging container with cap, as shown.

DESCRIPTION

FIG. 1 is a perspective view of a packaging container with cap showing my new design;

FIG. 2 is a top plan view;

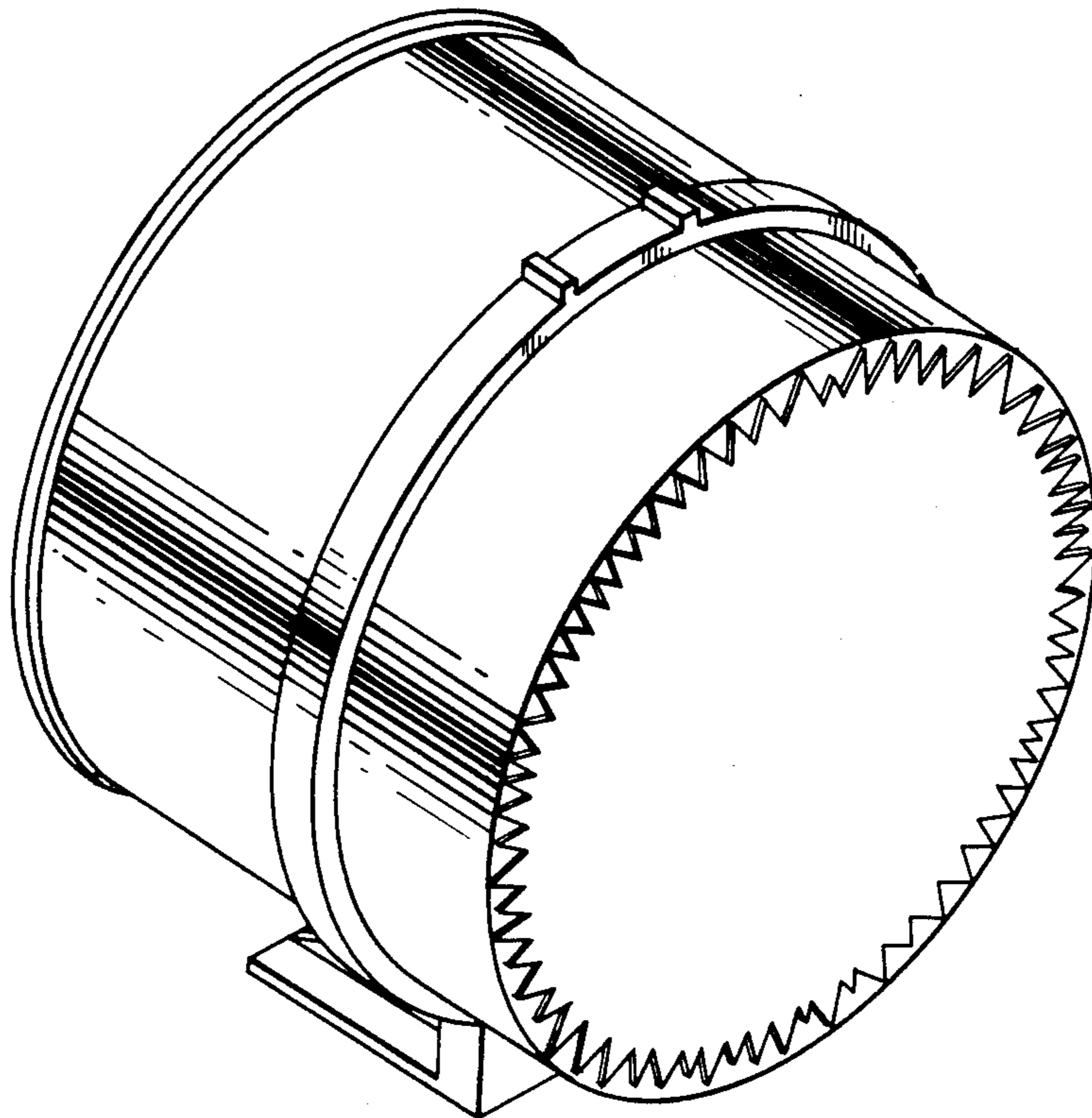
FIG. 3 is a side elevational view;

FIG. 4 is a front elevational view;

FIG. 5 is an elevational view showing the side opposite that seen in FIG. 3;

FIG. 6 is a rear elevational view; and

FIG. 7 is a bottom plan view.



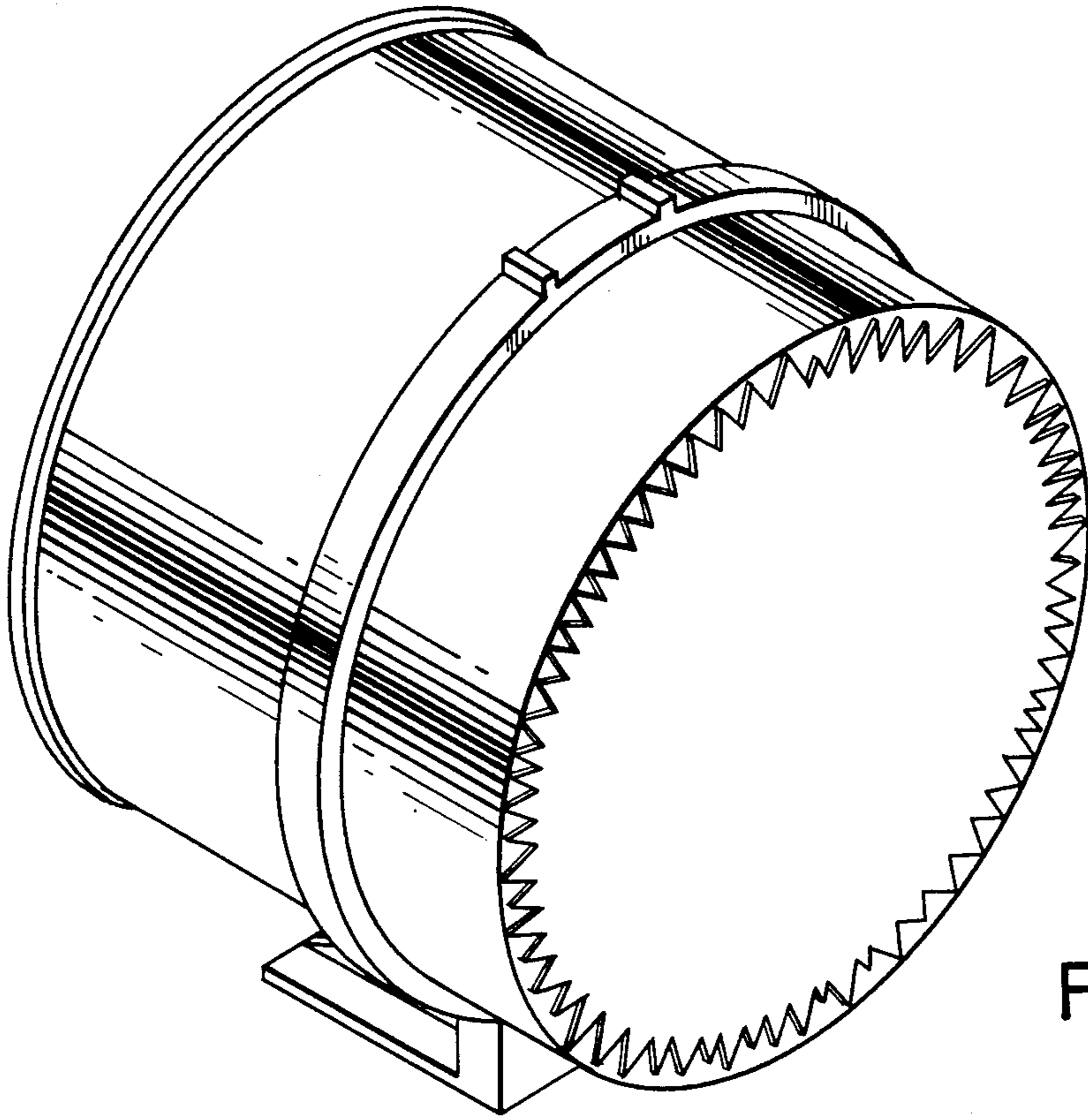


FIG. 1

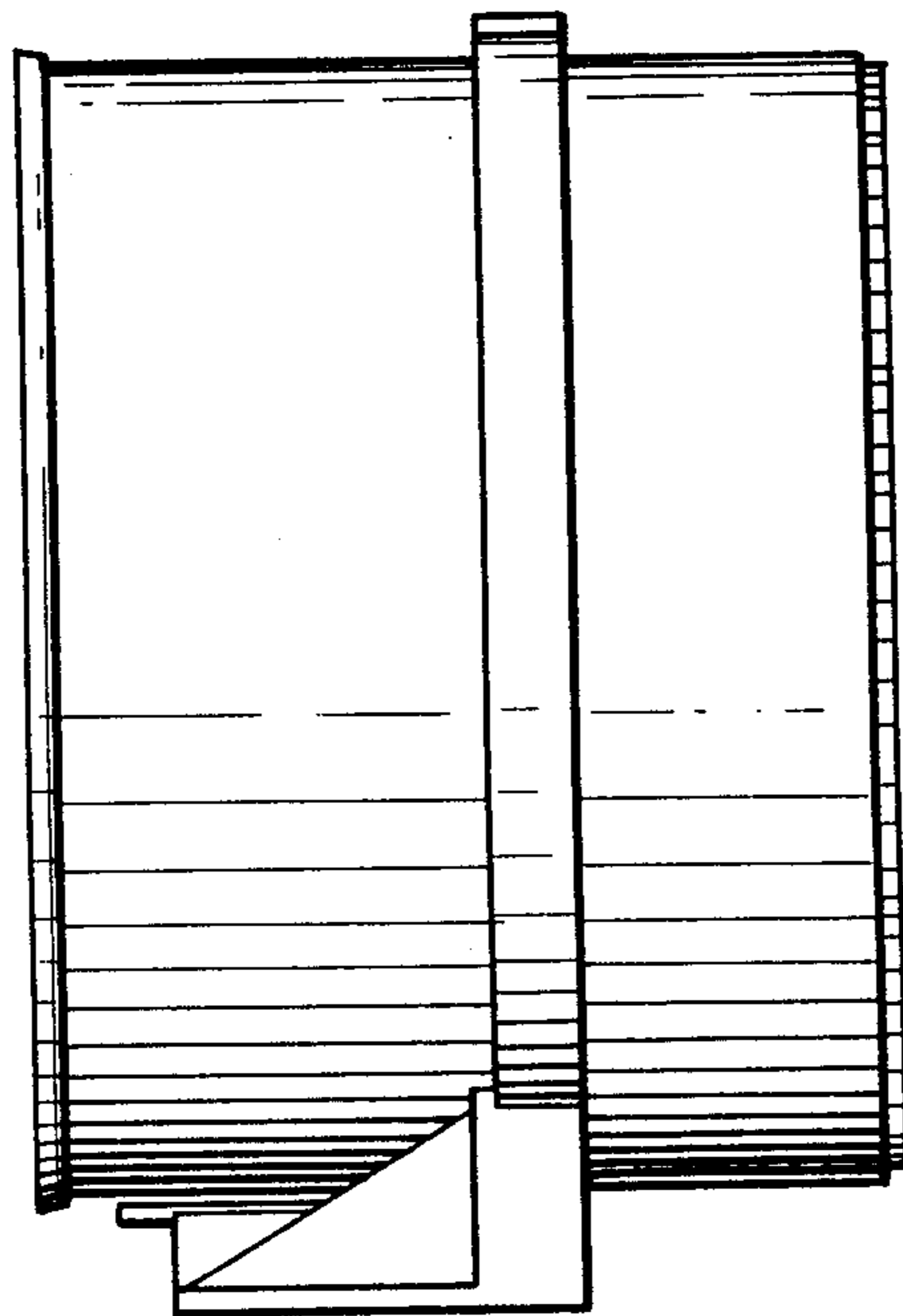


FIG. 3

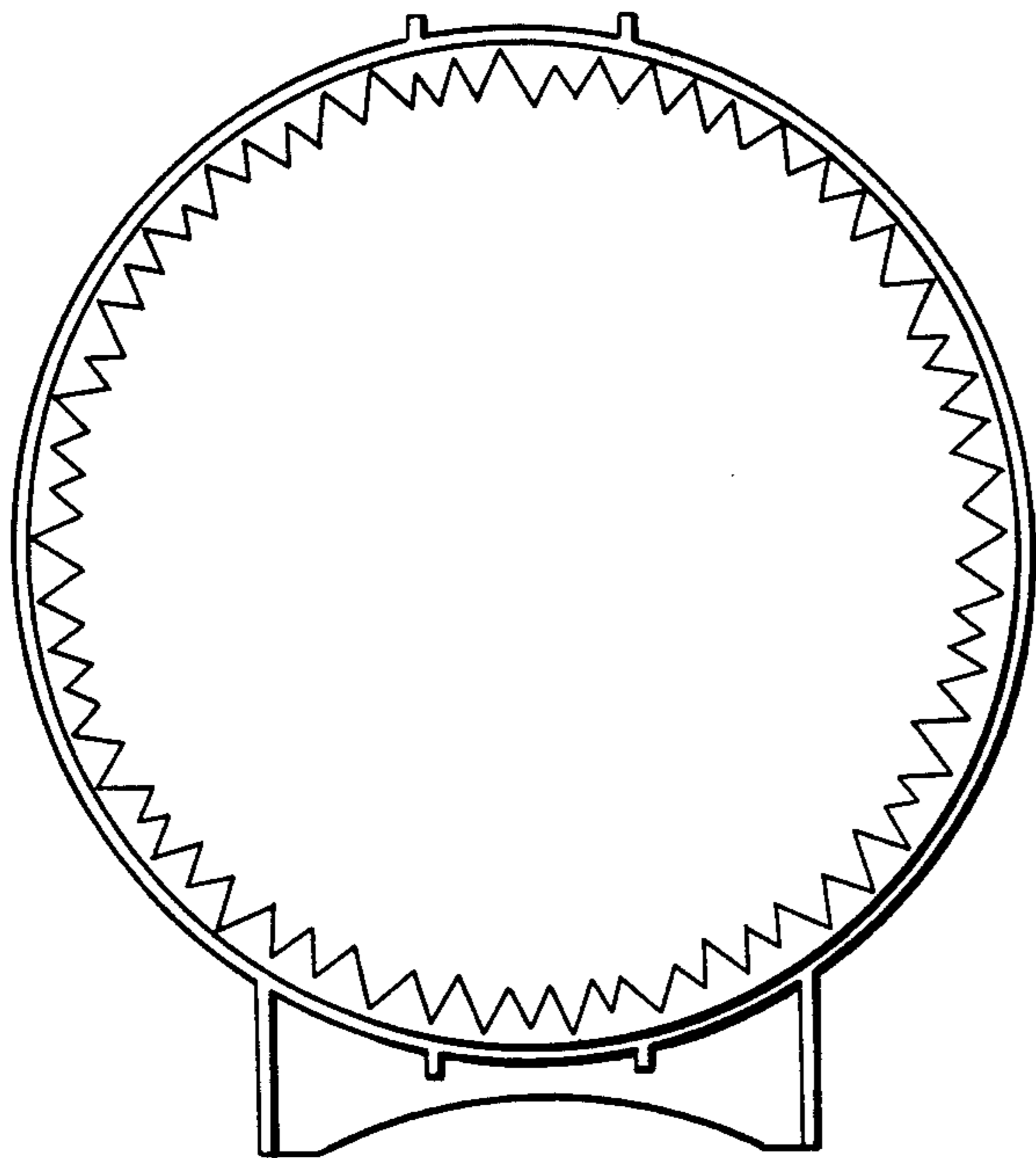


FIG. 4

FIG. 2

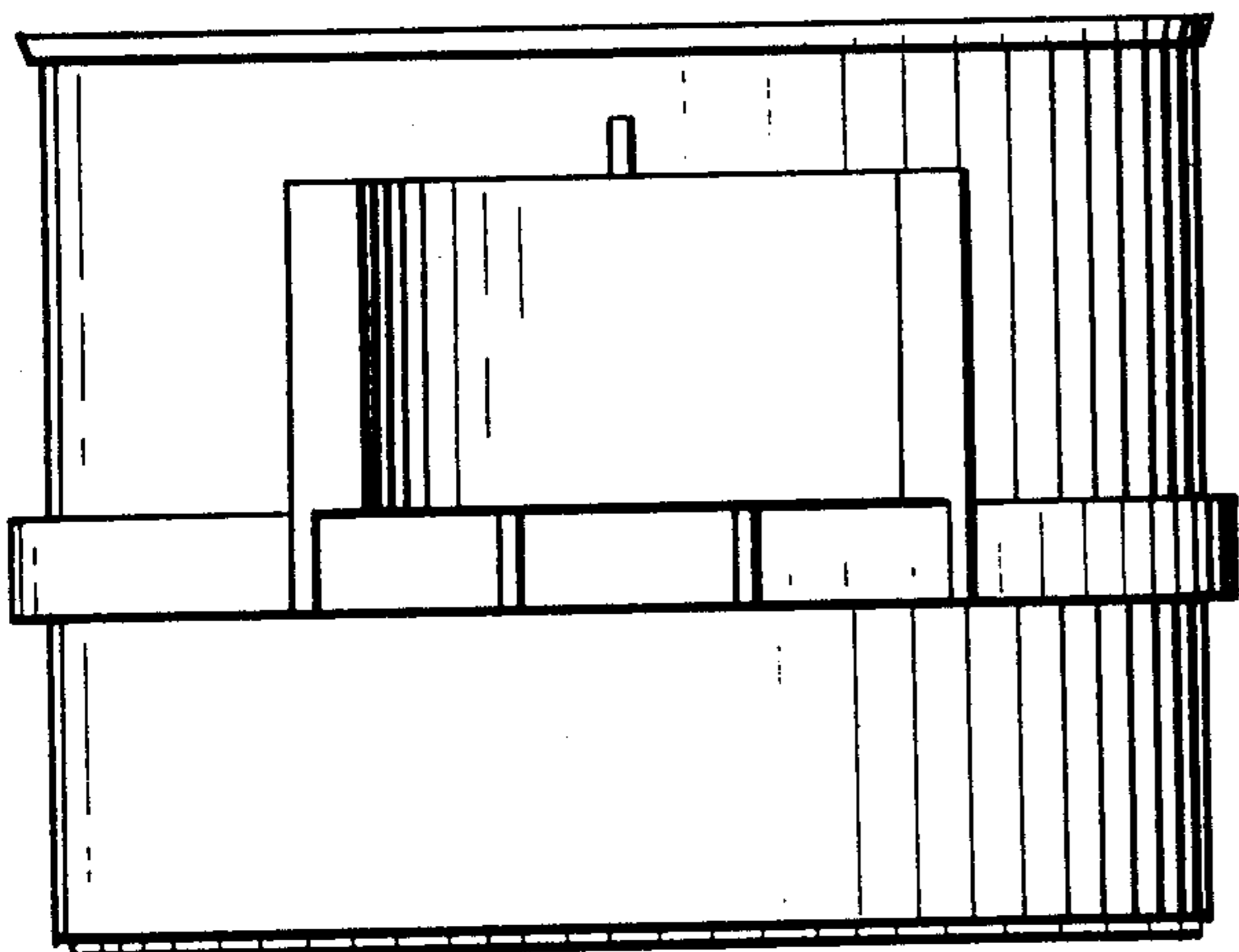
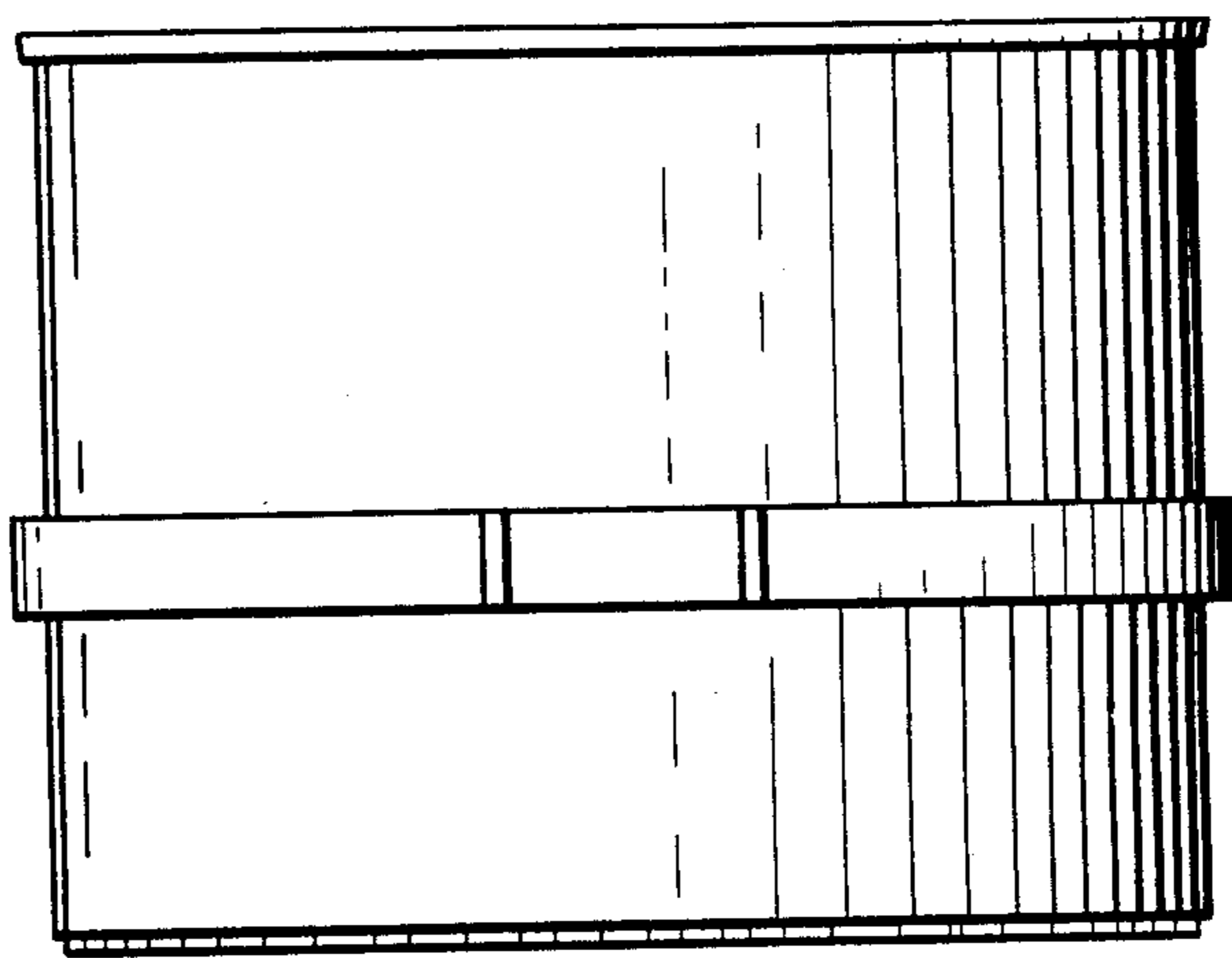


FIG. 7

FIG. 5

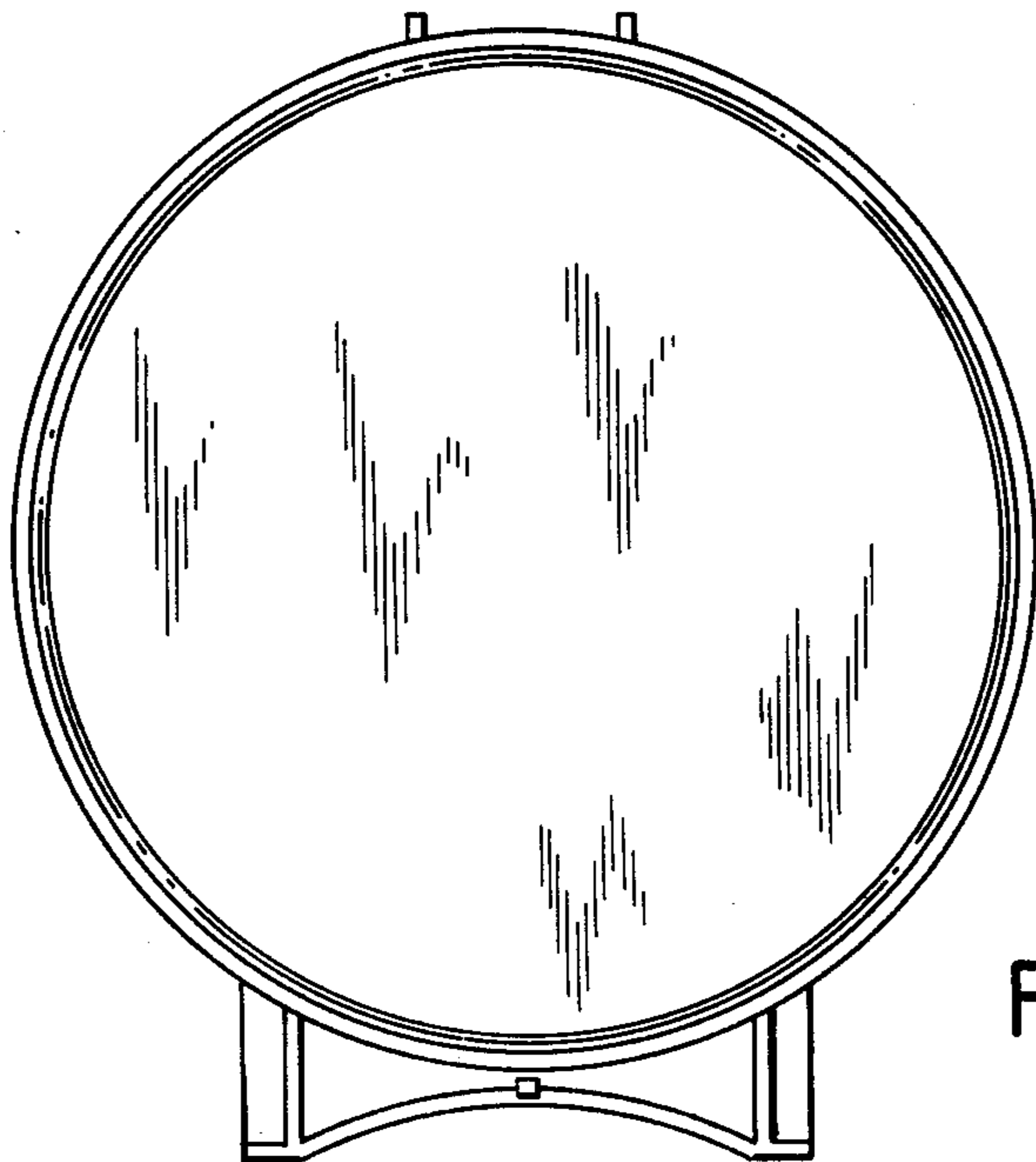
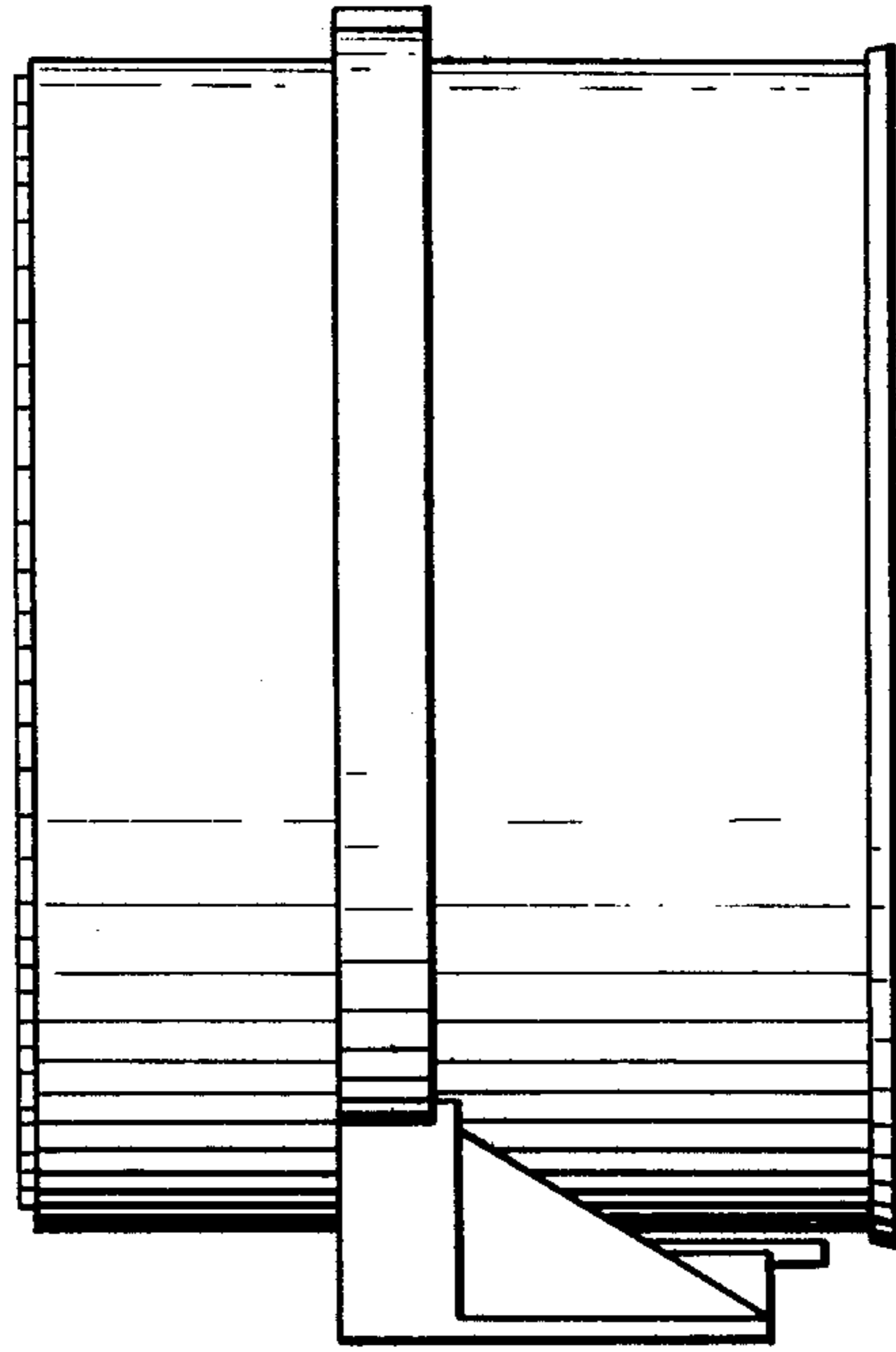


FIG. 6