

[54] CONTAINER FOR LIQUIDS

[76] Inventor: Joseph W. Stumler, 125 Franklin Dr.,
New Albany, Ind. 47150

[**] Term: 14 Years

[21] Appl. No.: 895,158

[22] Filed: Apr. 10, 1978

[51] Int. Cl. D9-01

[52] U.S. Cl. D9/370; D9/380;
D9/372

[58] Field of Search D9/59, 71, 38, 47, 48;
215/1 R, 1 C

[56]

References Cited

U.S. PATENT DOCUMENTS

D. 203,787	2/1966	Dyer	D9/59 X
D. 229,152	11/1973	Franklin	D9/38 X
D. 238,752	2/1976	Coffy	D9/48
3,323,668	6/1967	Hills	D9/59 X

Primary Examiner—Robert C. Spangler
Attorney, Agent, or Firm—Donald L. Cox

[57]

CLAIM

The ornamental design for a container for liquids, as shown and described.

DESCRIPTION

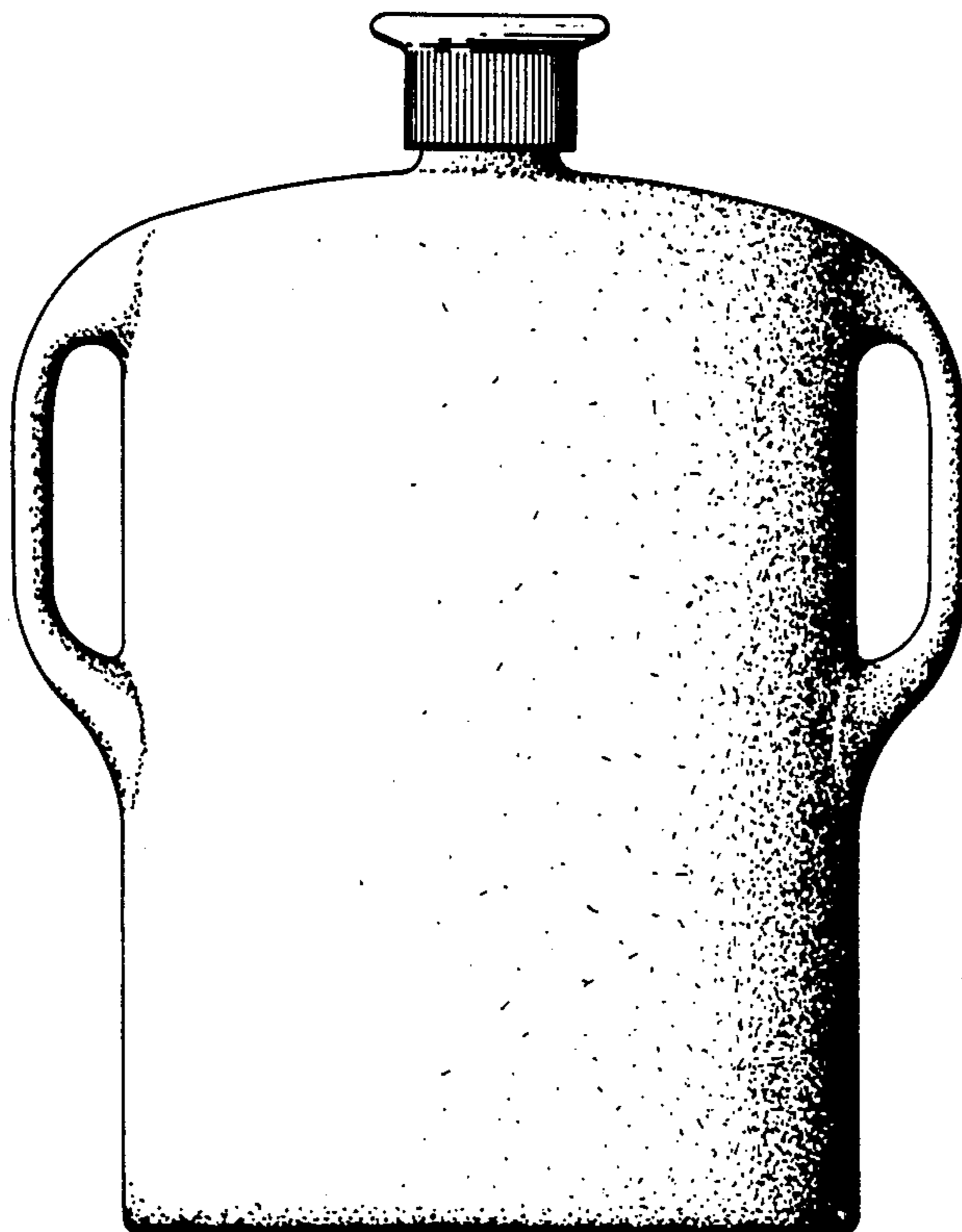
FIG. 1 is a side elevational view of a container for liquids showing my new design.

FIG. 2 is a top plan view.

FIG. 3 is a bottom plan view.

FIG. 4 is a rear view of FIG. 1.

FIG. 5 is a vertical section through the center.



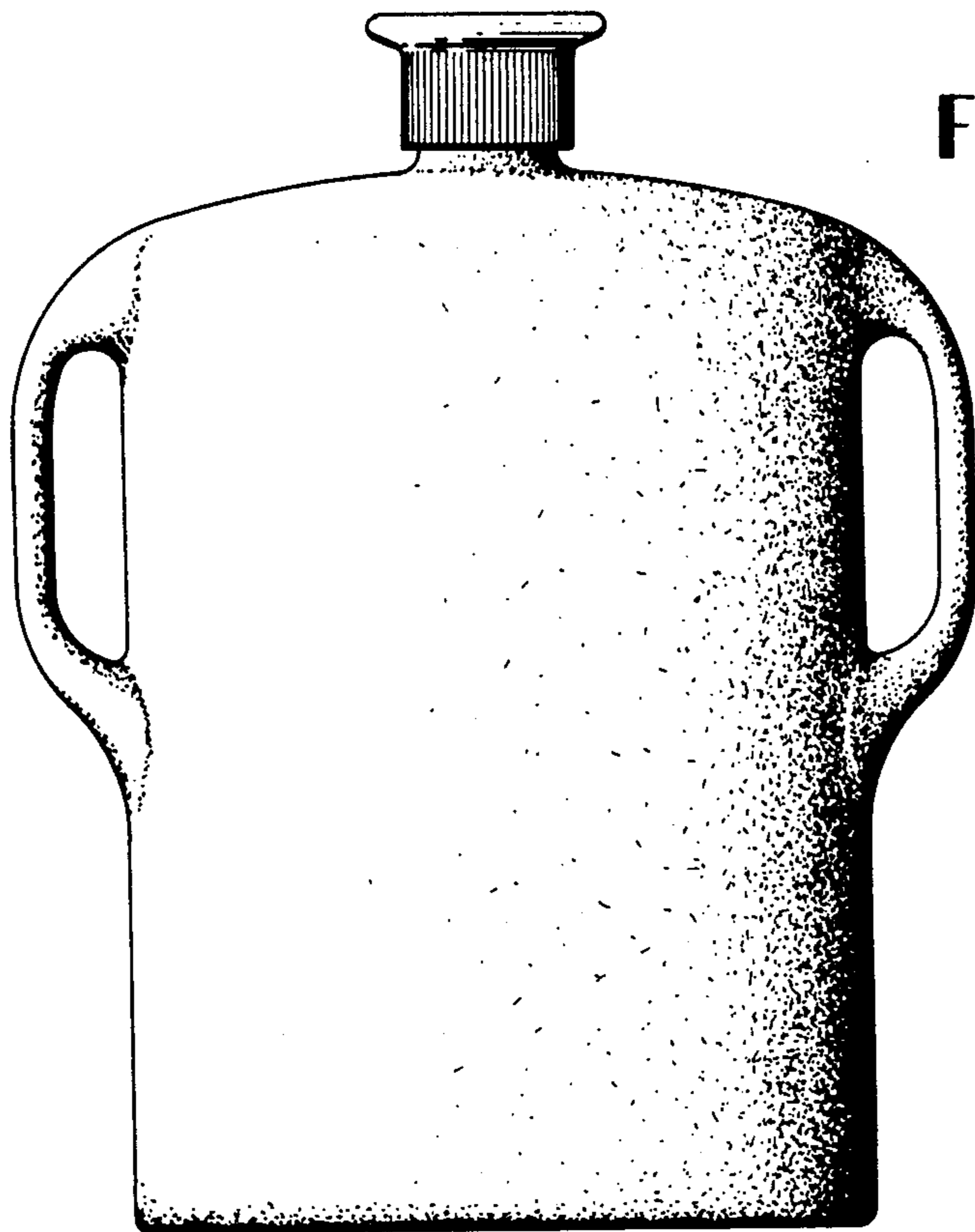


FIG 1

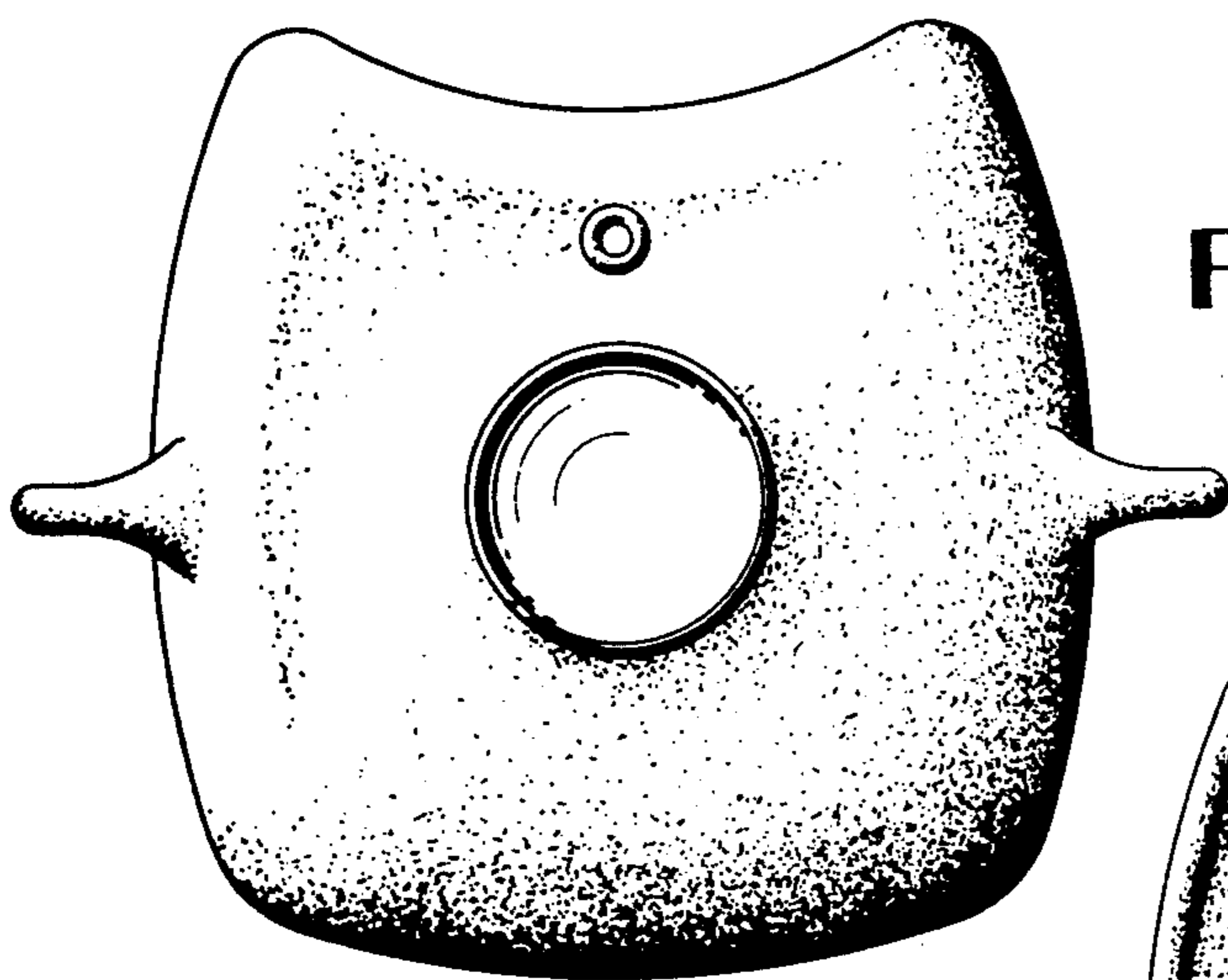


FIG 2

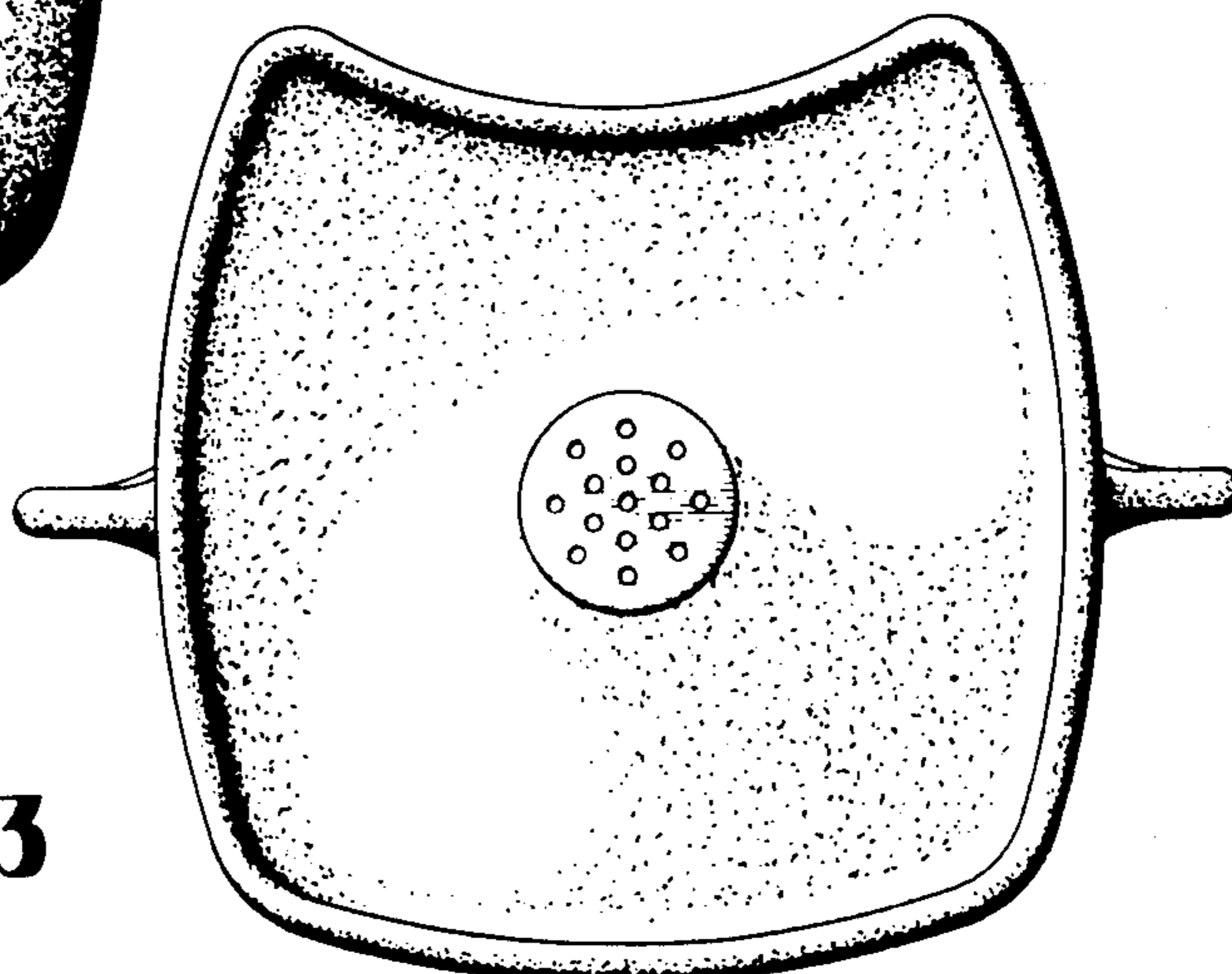
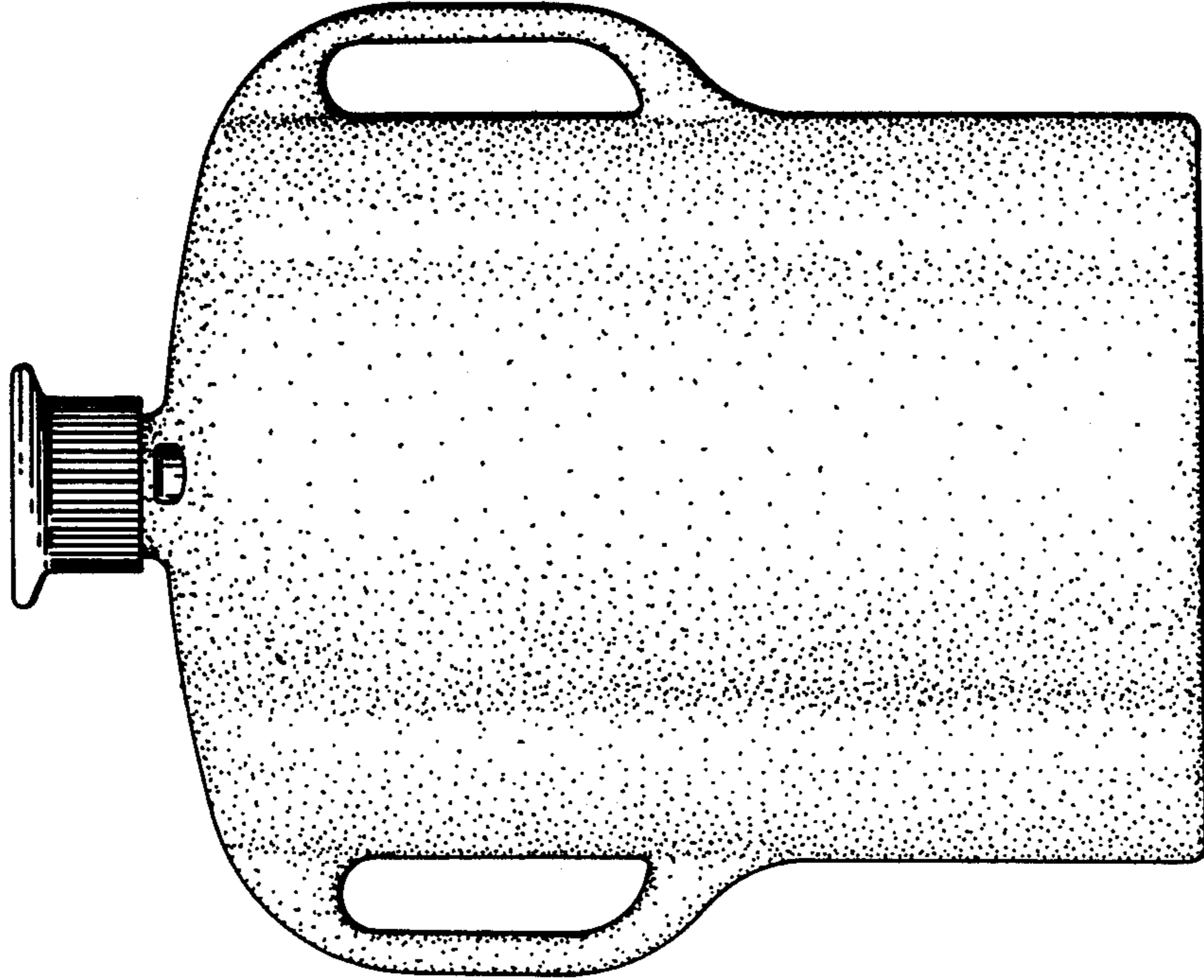


FIG 3

FIG. 4



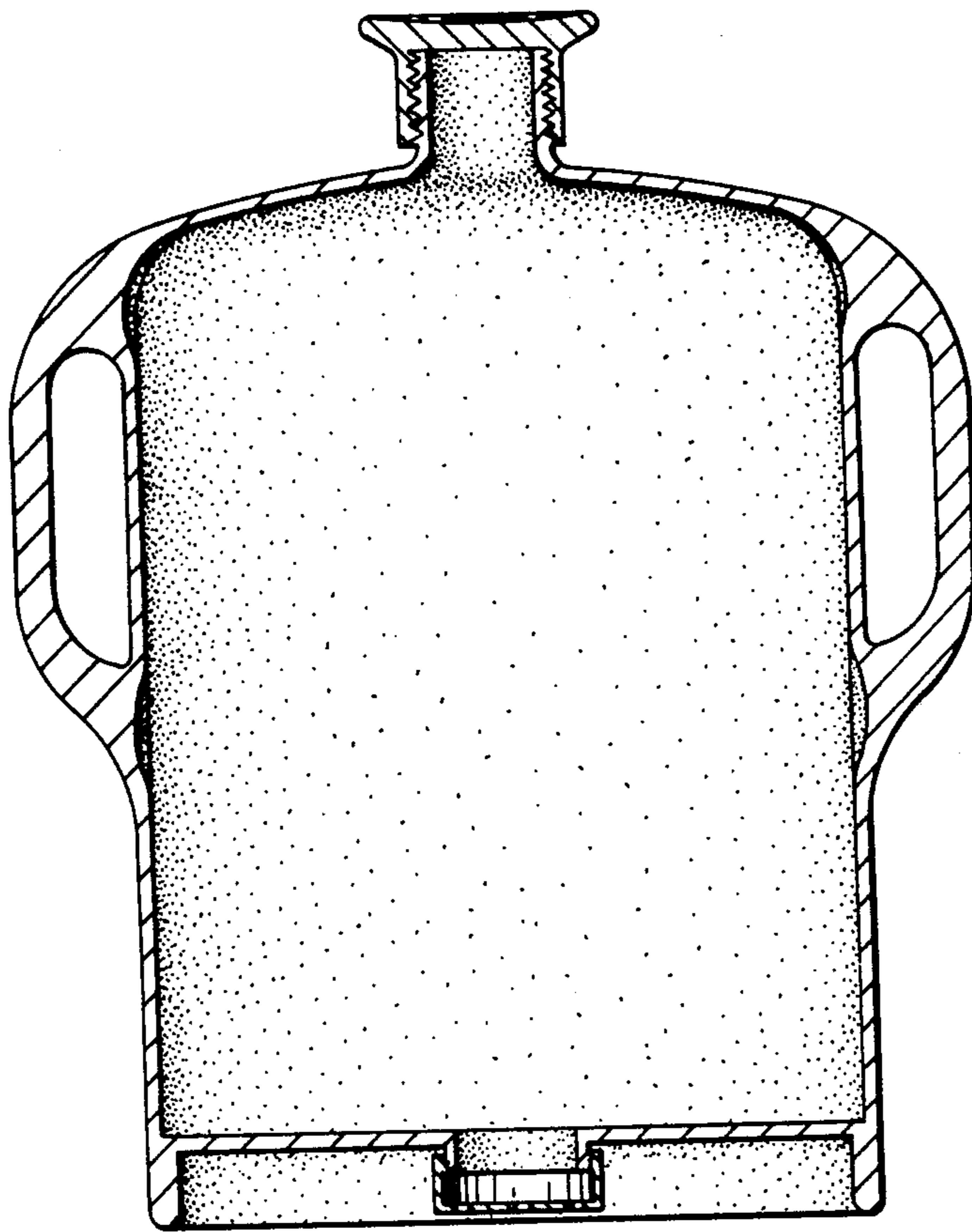


FIG. 5