

[54] URETHANE PULL KNIFE AND BLADE

3,482,310 12/1969 Paterson 30/314 X

[75] Inventor: Peter M. Juziuk, Madison Heights, Mich.

Primary Examiner—Alan P. Douglas
Attorney, Agent, or Firm—Ralph M. Burton

[73] Assignee: Kent-Moore Corporation, Warren, Mich.

[57] CLAIM

[**] Term: 14 Years

The ornamental design for a urethane pull knife and blade, as shown and described.

[21] Appl. No.: 839

DESCRIPTION

[22] Filed: Jan. 4, 1979

FIG. 1 is a perspective view of the urethane pull knife and blade;

[51] Int. Cl. D8-03

FIG. 2 is a side view of the urethane pull knife and blade (the opposite side being of the same appearance);

[52] U.S. Cl. D8/98

FIG. 3 is a top view of the urethane pull knife and blade;

[58] Field of Search D8/98; 81/314

FIG. 4 is a front view of the urethane pull knife and blade;

[56] References Cited

U.S. PATENT DOCUMENTS

D. 228,276	9/1973	Bolton	D8/98
D. 236,793	9/1975	Benktzon et al.	D8/98 X
2,542,582	2/1951	Schwork	30/314

FIG. 5 is a rear view of the urethane pull knife and blade; and

FIG. 6 is a bottom view of the urethane pull knife and blade.

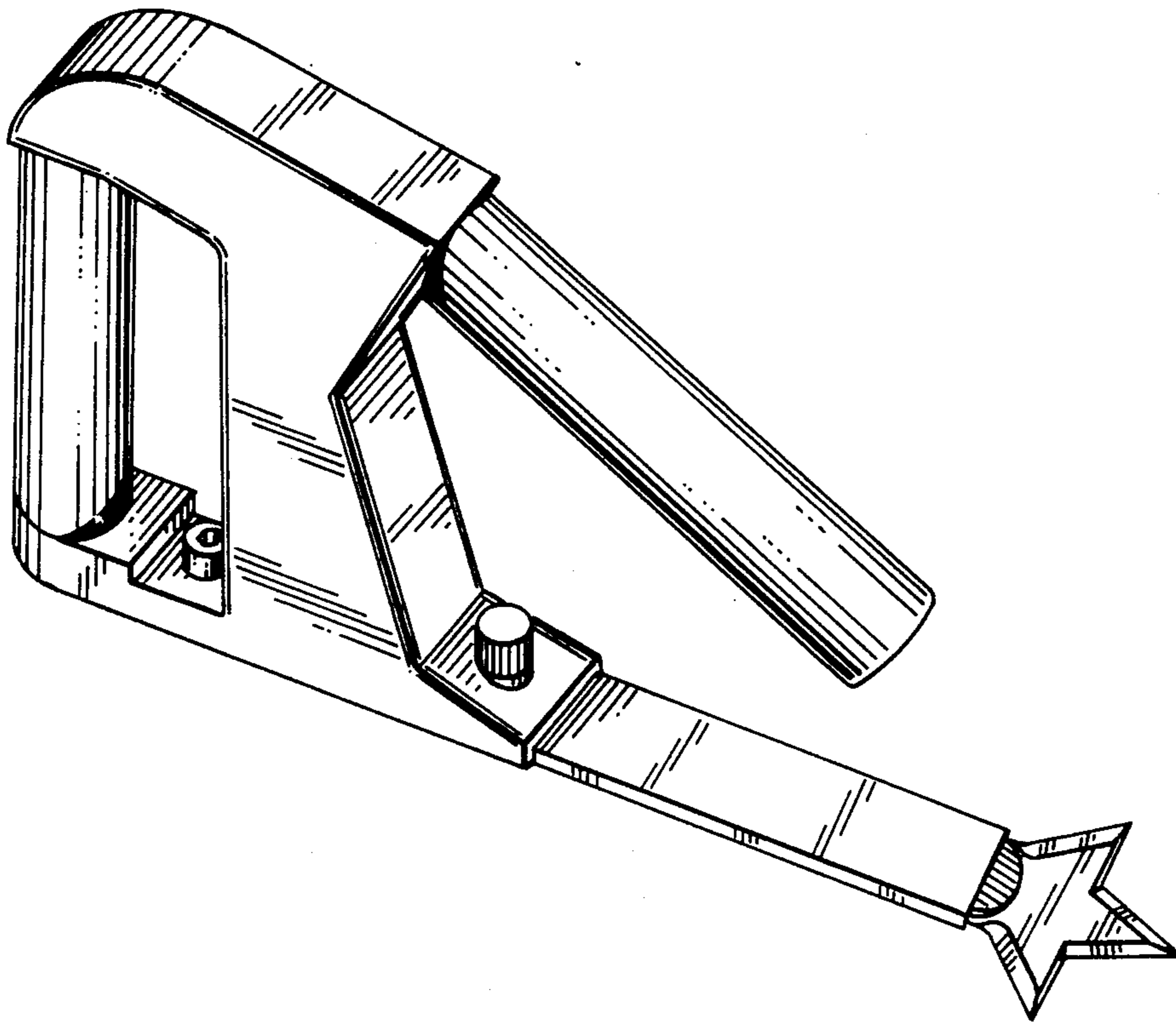


FIG. 1

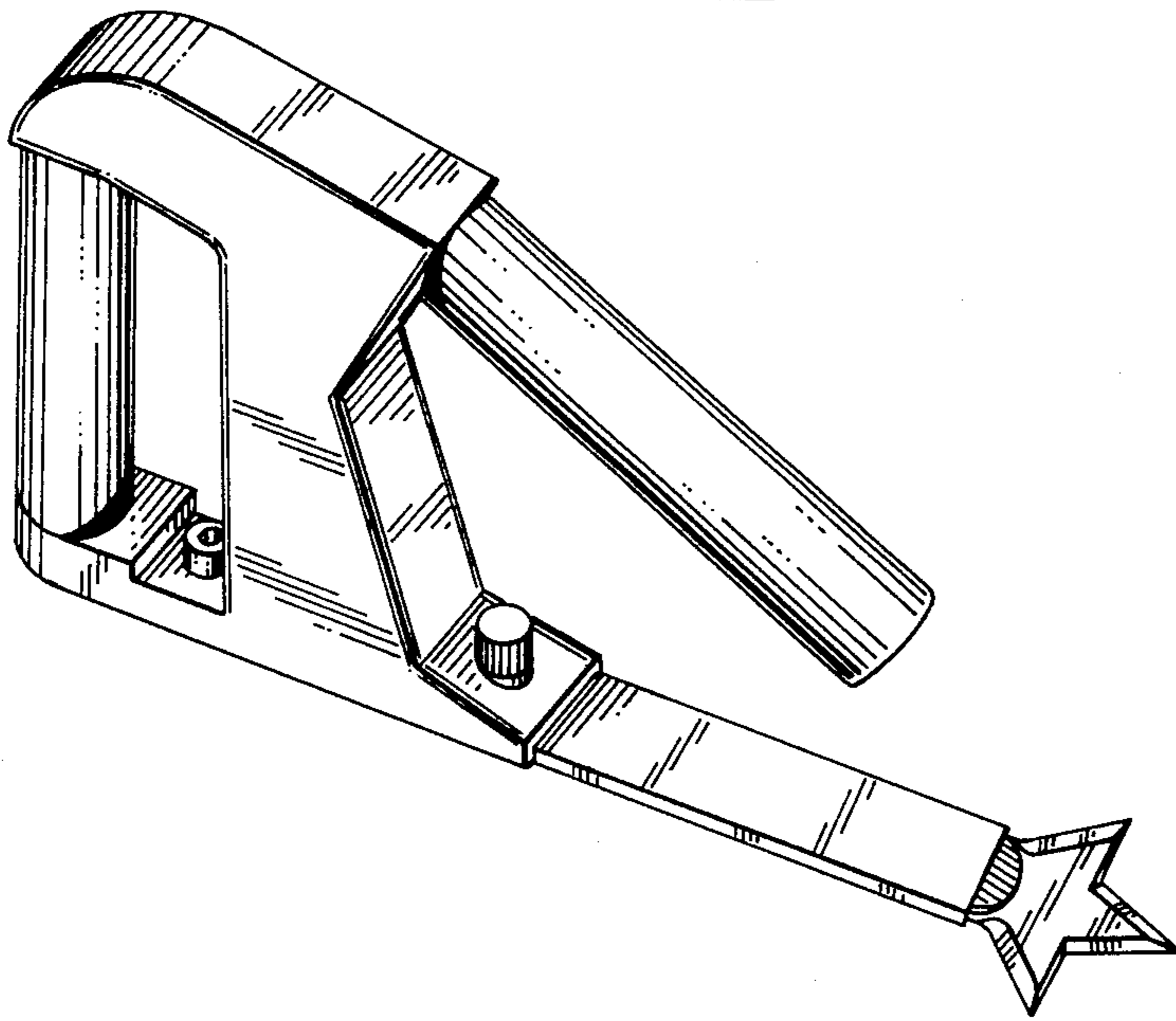


FIG. 2

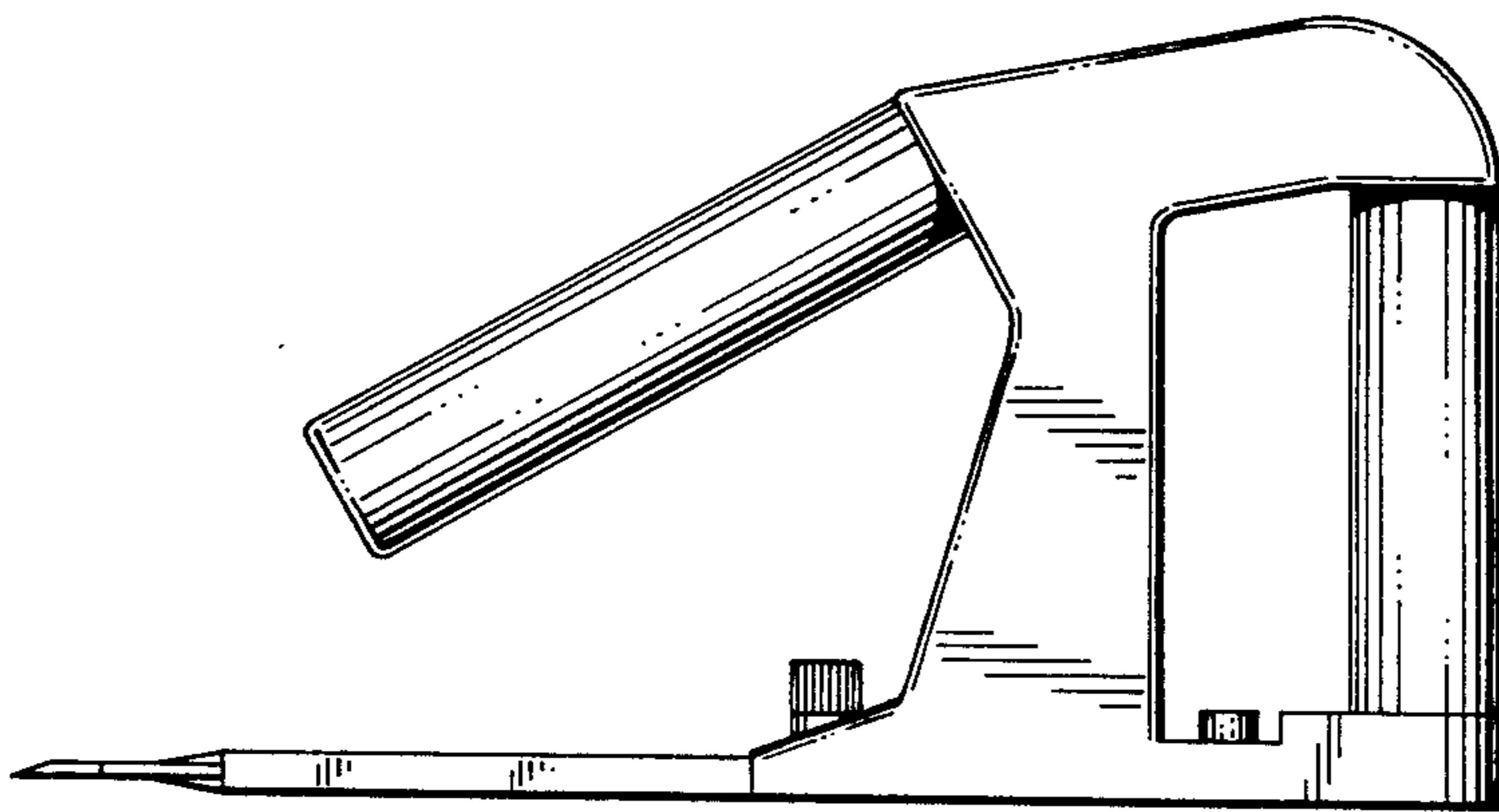


FIG. 3

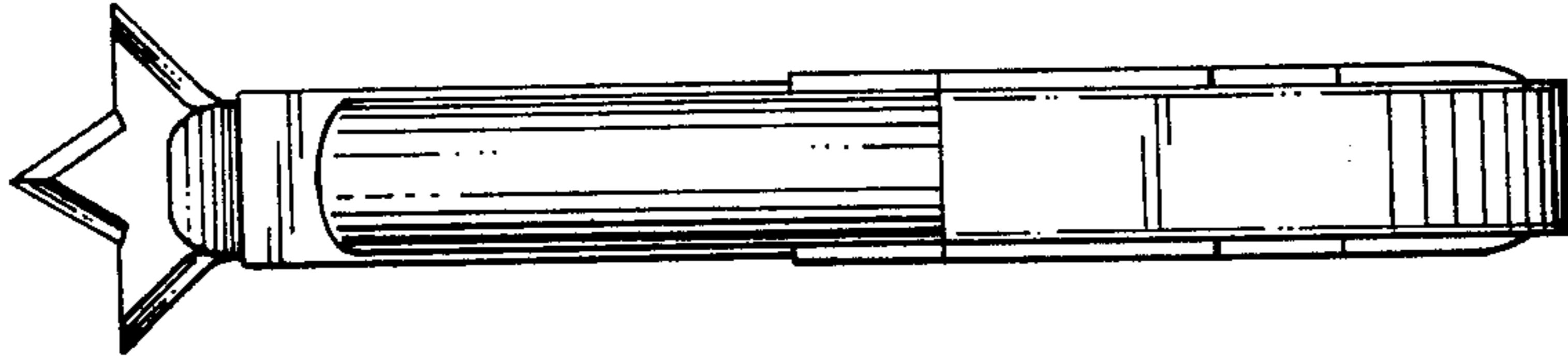


FIG. 4

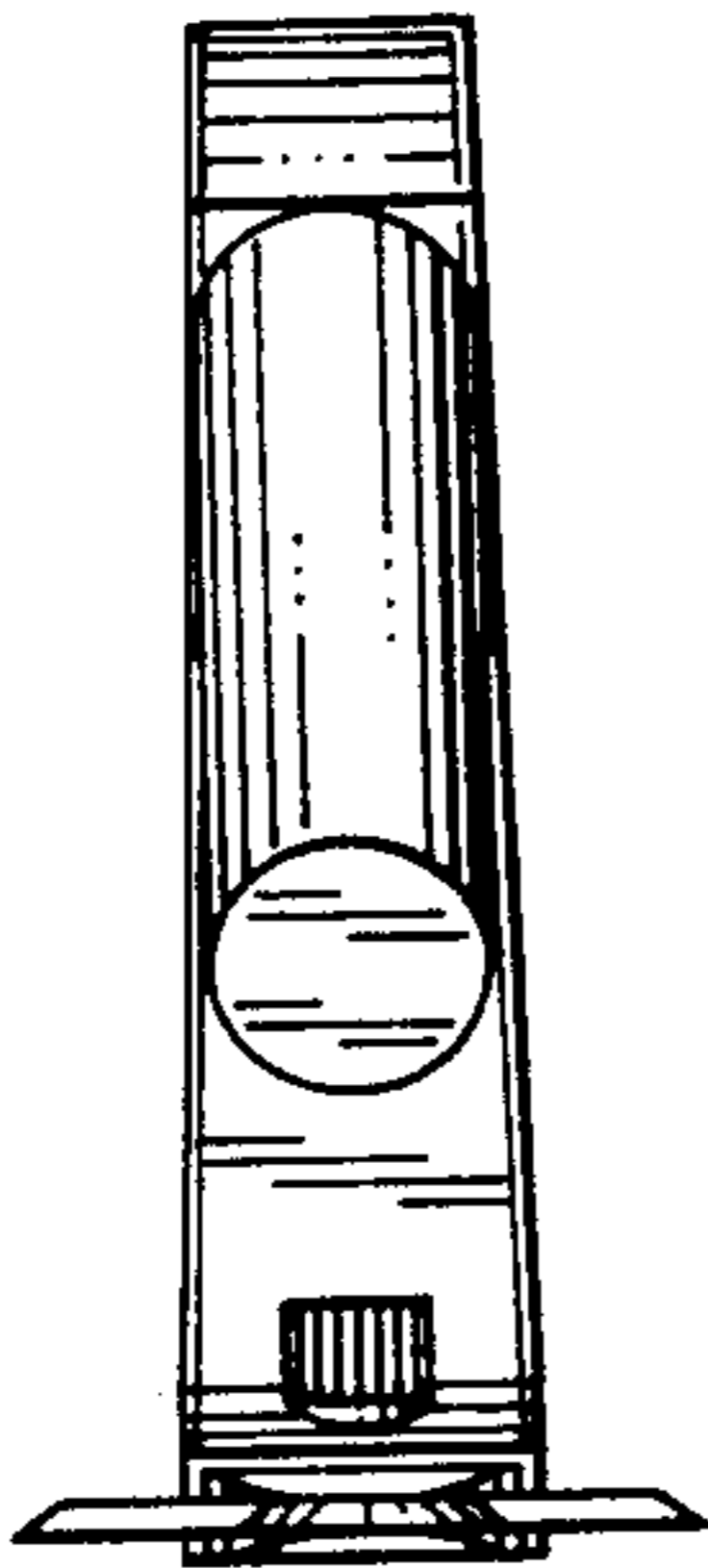


FIG. 5

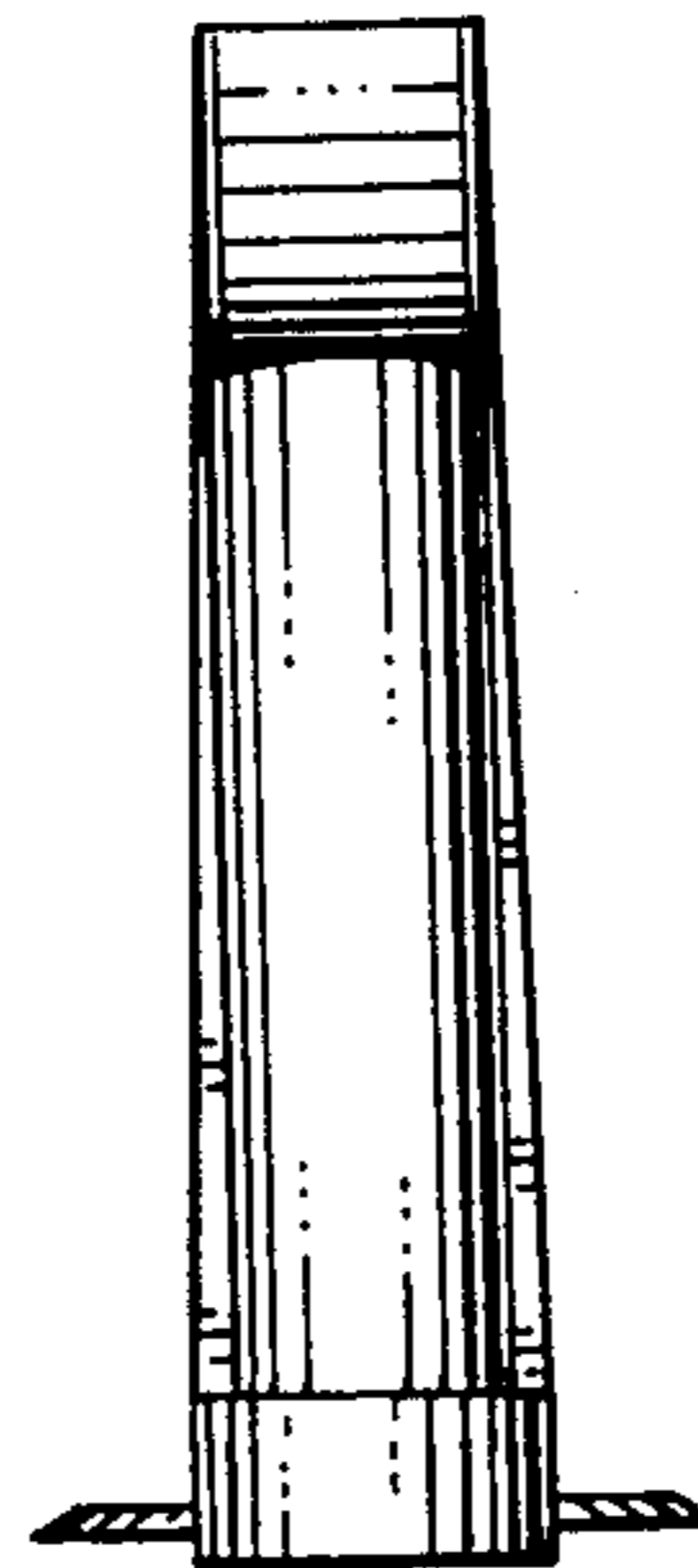


FIG. 6

