

[54] TOOL FOR GRIPPING AND LIFTING LOGS

[75] Inventors: Robert E. Brugger, Torrington;  
Richard H. Bartley, Harwinton;  
Ernest J. Waldron, Jr., Torrington;  
Carl F. Piontkowski, Old Saybrook,  
all of Conn.

[73] Assignee: C & D Distributors, Inc., Old  
Saybrook, Conn.

[\*\*] Term: 14 Years

[21] Appl. No.: 962,686

[22] Filed: Nov. 21, 1978

[51] Int. Cl. .... D7-08

[52] U.S. Cl. .... D7/210

[58] Field of Search ..... D7/206, 209, 210;  
294/9, 10, 11, 12, 13, 14; 7/109

[56]

References Cited

U.S. PATENT DOCUMENTS

D. 254,704	4/1980	Hammond	.....	D7/210
3,118,697	1/1964	Watters	.....	294/11
4,105,238	8/1978	Stright	.....	294/11
4,176,871	12/1979	Stover	.....	294/10

Primary Examiner—Catherine E. Kemper  
Attorney, Agent, or Firm—David S. Fishman

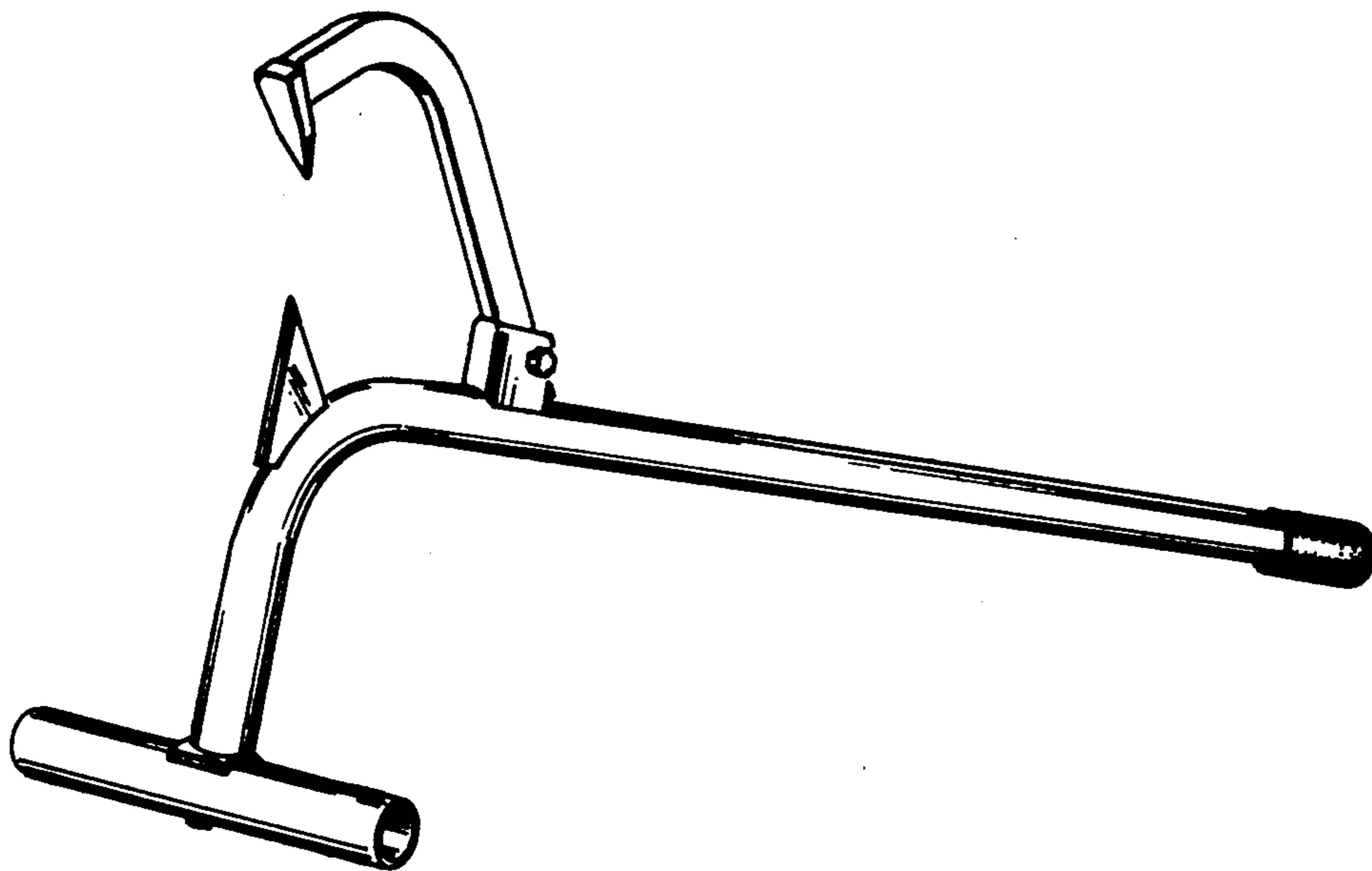
[57]

CLAIM

The ornamental design for a tool for gripping and lifting logs, substantially as shown and described.

DESCRIPTION

FIG. 1 is a perspective view of a tool for gripping and lifting logs, showing our new design;  
FIG. 2 is a top plan view thereof;  
FIG. 3 is a side elevational view, the opposite side being a mirror image thereof.



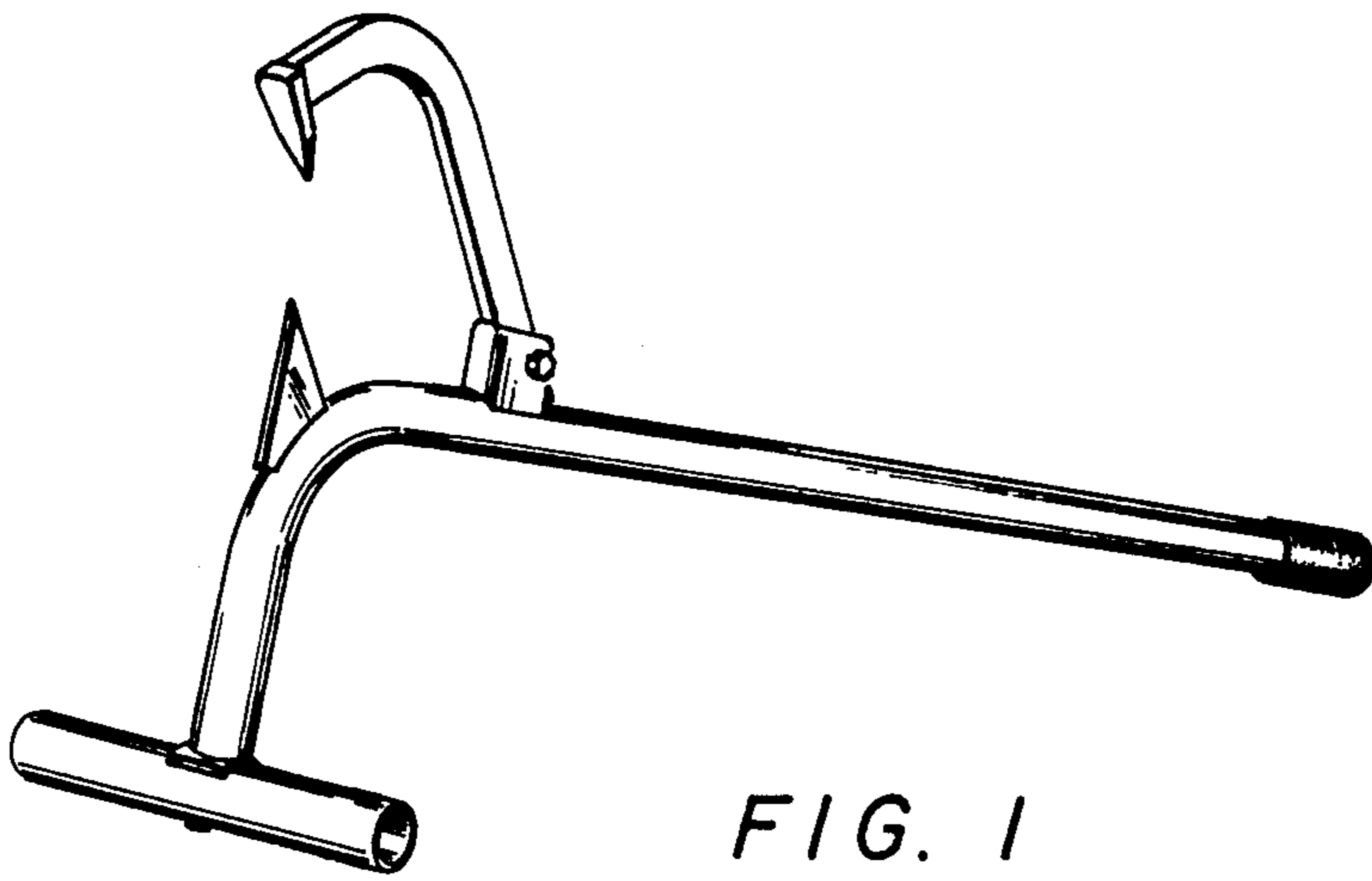


FIG. 1



FIG. 2

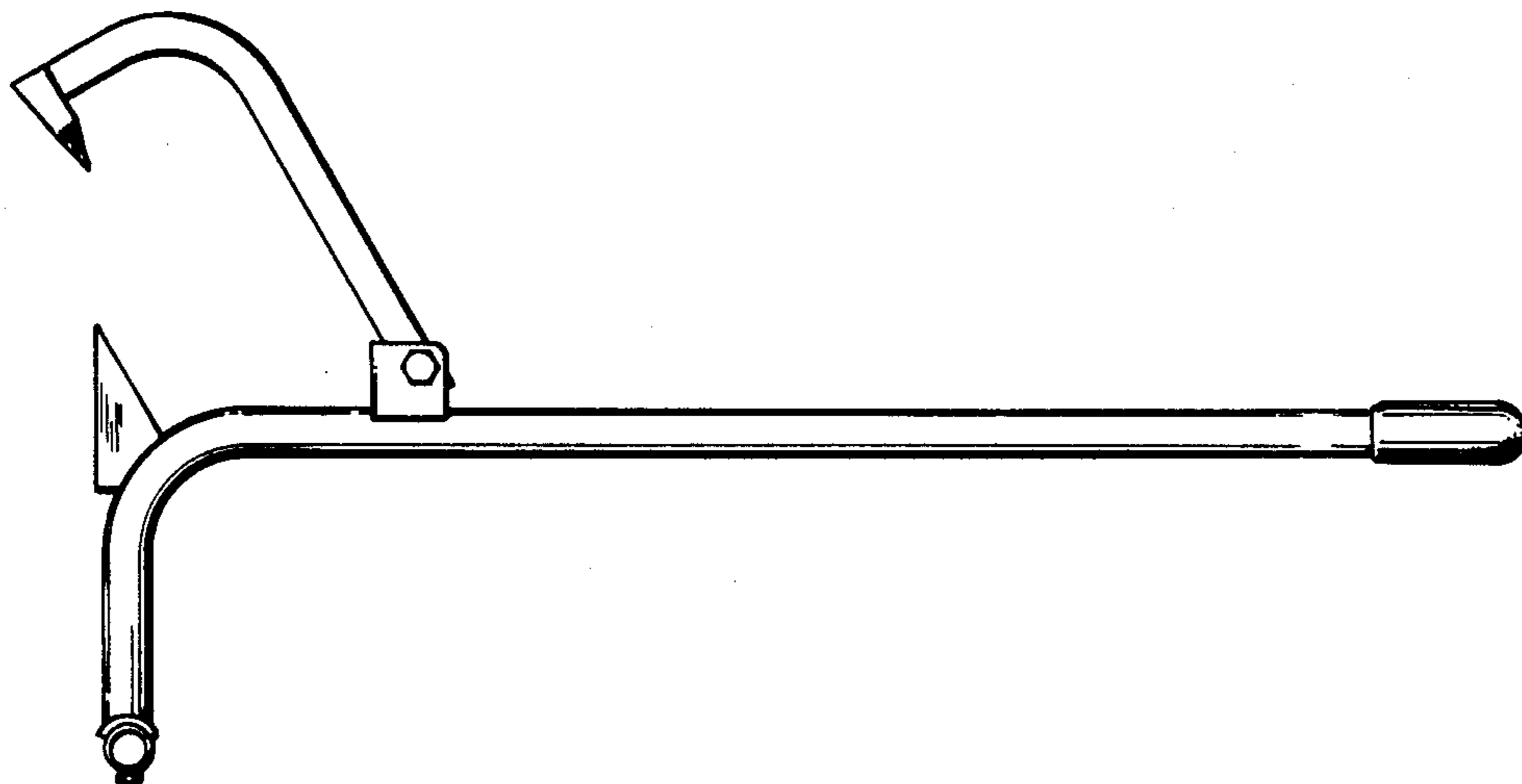


FIG. 3