

- [54] **COMBINED DRINKING CUP AND MULTI-PURPOSE LID THEREFOR**
- [75] **Inventor:** Hugo O. Weinstein, Hacienda Heights, Calif.
- [73] **Assignee:** Lawrence I. Miller, North Hollywood, Calif.
- [**] **Term:** 14 Years
- [21] **Appl. No.:** 896,330
- [22] **Filed:** Apr. 14, 1978
- [51] **Int. Cl.** D7-01
- [52] **U.S. Cl.** D7/6; D7/13; D7/14; D7/394
- [58] **Field of Search** D7/6, 11, 13, 14, 17; D9/216, 220, 157, 12, 221; 229/2.5 R, 4.5, 1.5 B

[56] **References Cited**

U.S. PATENT DOCUMENTS

D. 18,224	4/1888	Barr	D7/14 X
D. 159,599	8/1950	Chaplin	D9/220
D. 163,380	5/1951	Gustkey	D7/6
D. 192,604	4/1962	Evans	D7/13
D. 226,573	3/1973	Casad	D7/13
D. 230,387	2/1974	Doman et al.	D9/220 X

D. 239,151	3/1976	Lundin	D7/6
D. 240,286	6/1976	Sarpaneva	D7/11
2,996,208	8/1961	Schroeder	D9/12 X
3,089,605	5/1963	Buonauro	D7/13 X
3,526,335	9/1970	Swett et al.	D7/13 X

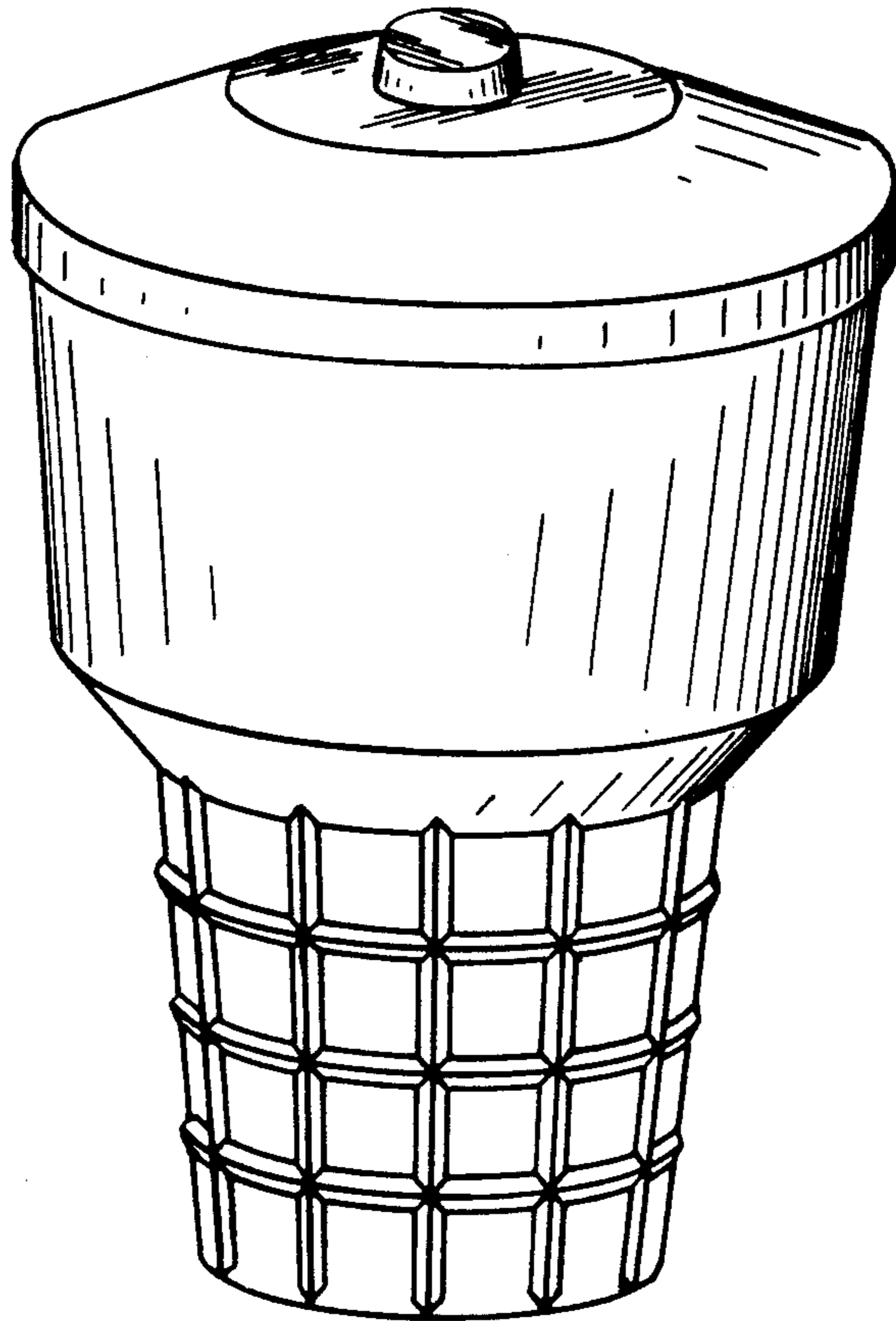
Primary Examiner—Robert C. Spangler
Attorney, Agent, or Firm—Romney, Schaap, Golant, Disner & Ashen

[57] **CLAIM**

The ornamental design for a combined drinking cup and multi-purpose lid therefor, as shown.

DESCRIPTION

FIG. 1 is a perspective view of a combined drinking cup and multi-purpose lid therefore showing my new design;
 FIG. 2 is a top plan view of the cup with the lid removed;
 FIG. 3 is a side elevational view thereof;
 FIG. 4 is a bottom plan view thereof;
 FIG. 5 is a top plan view of the lid;
 FIG. 6 is a side elevational view thereof;
 FIG. 7 is a bottom plan thereof; and
 FIG. 8 is a perspective view with the lid used as a supporting base for the cup.



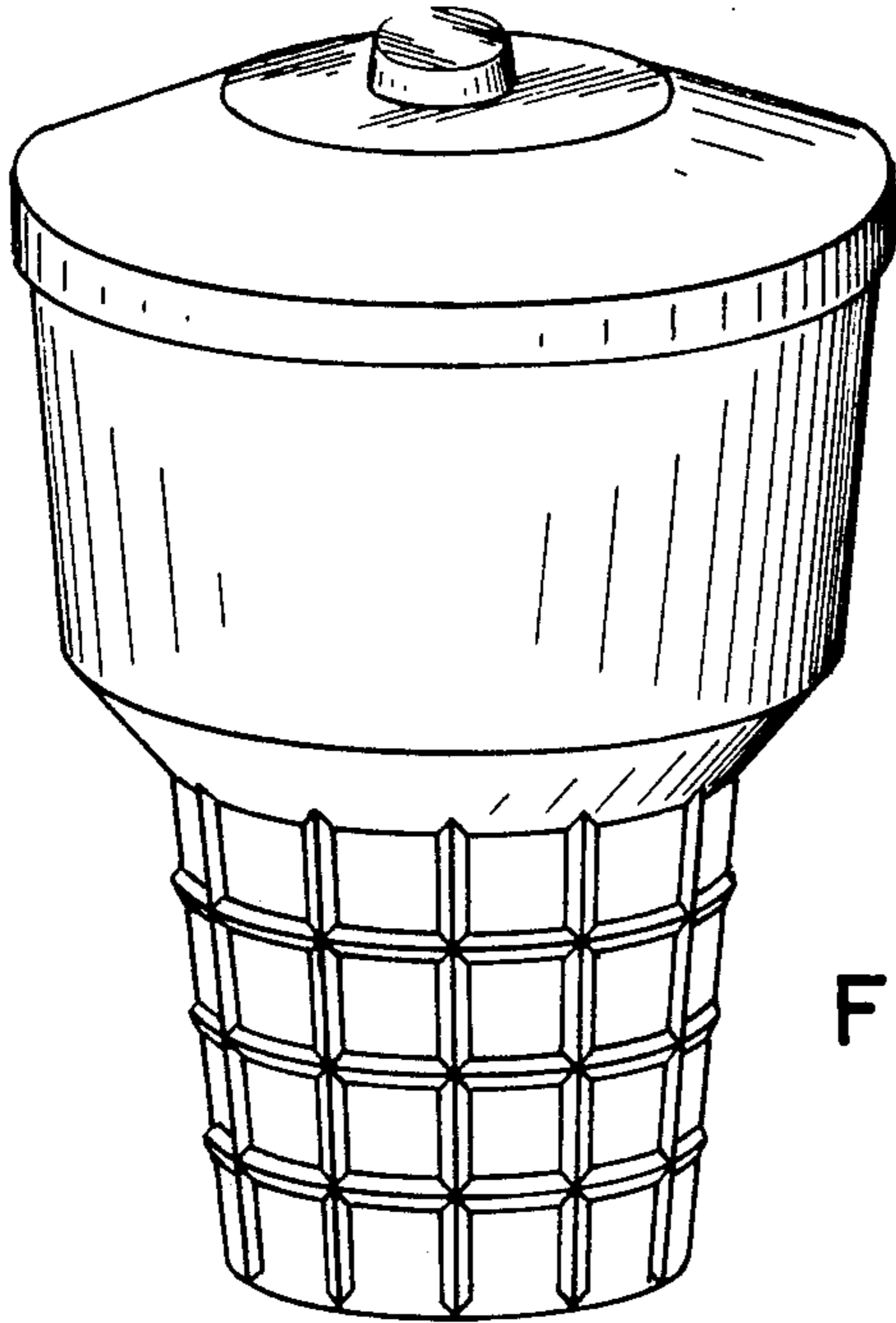


FIG. 1

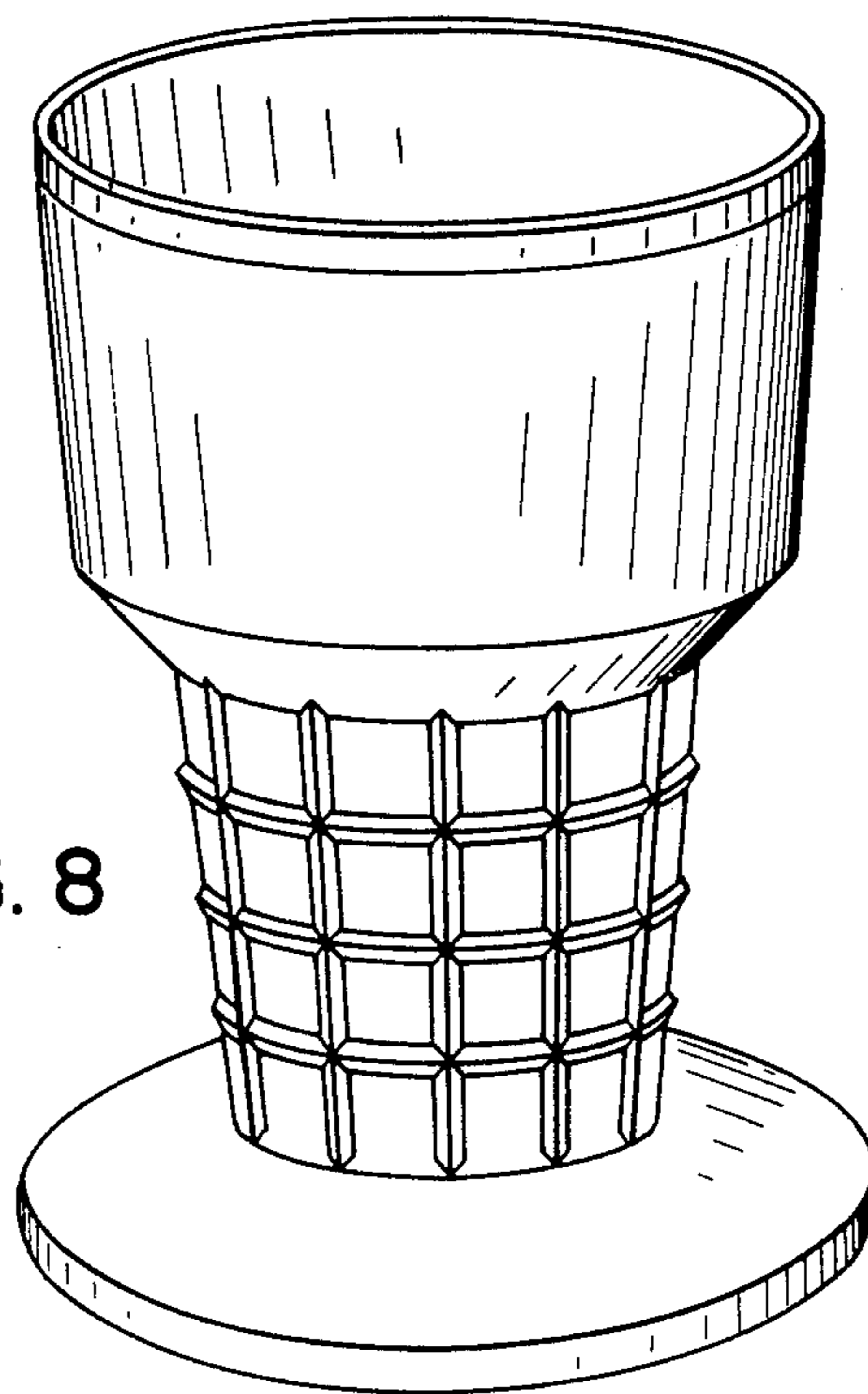


FIG. 8

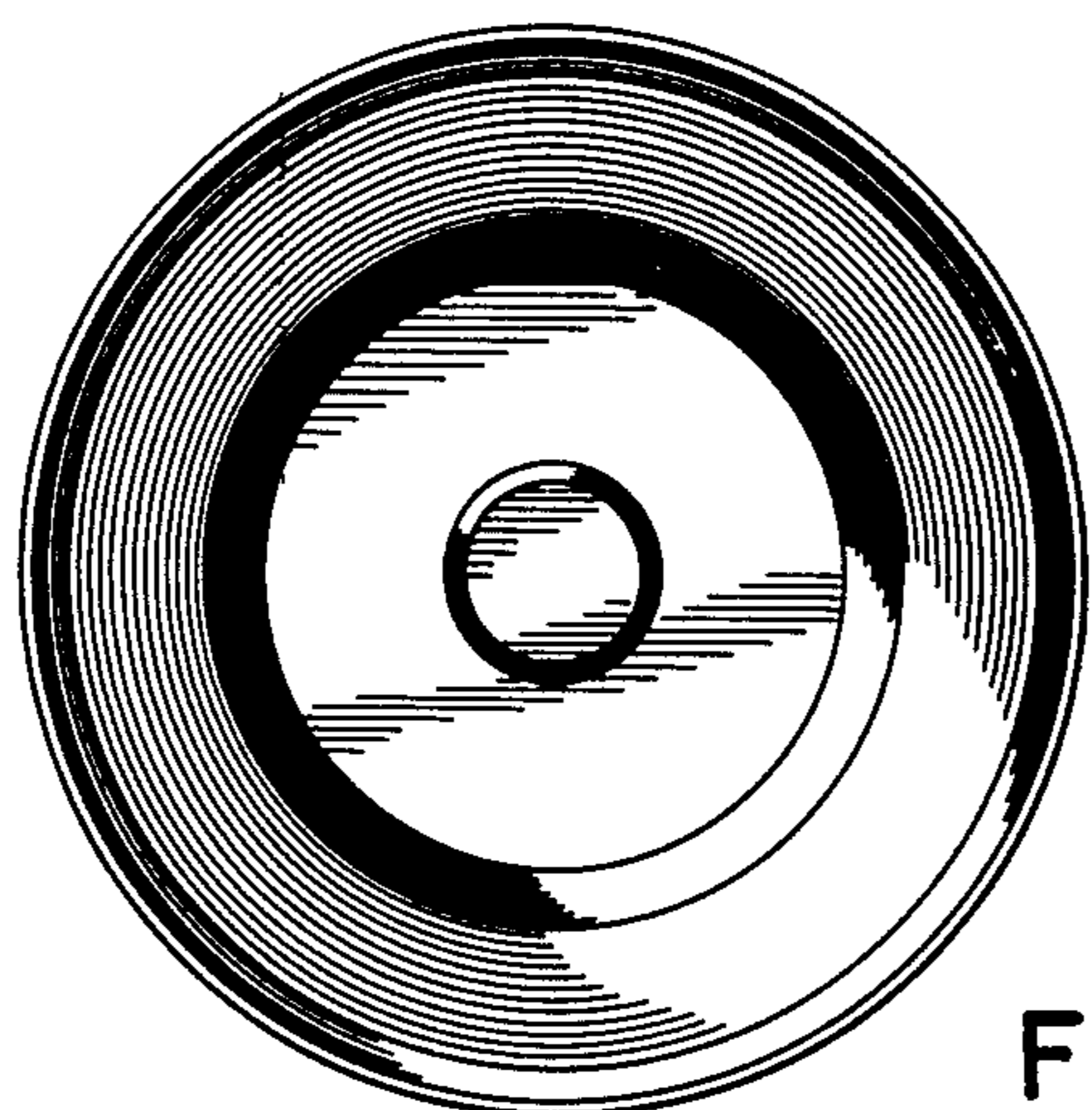


FIG. 2

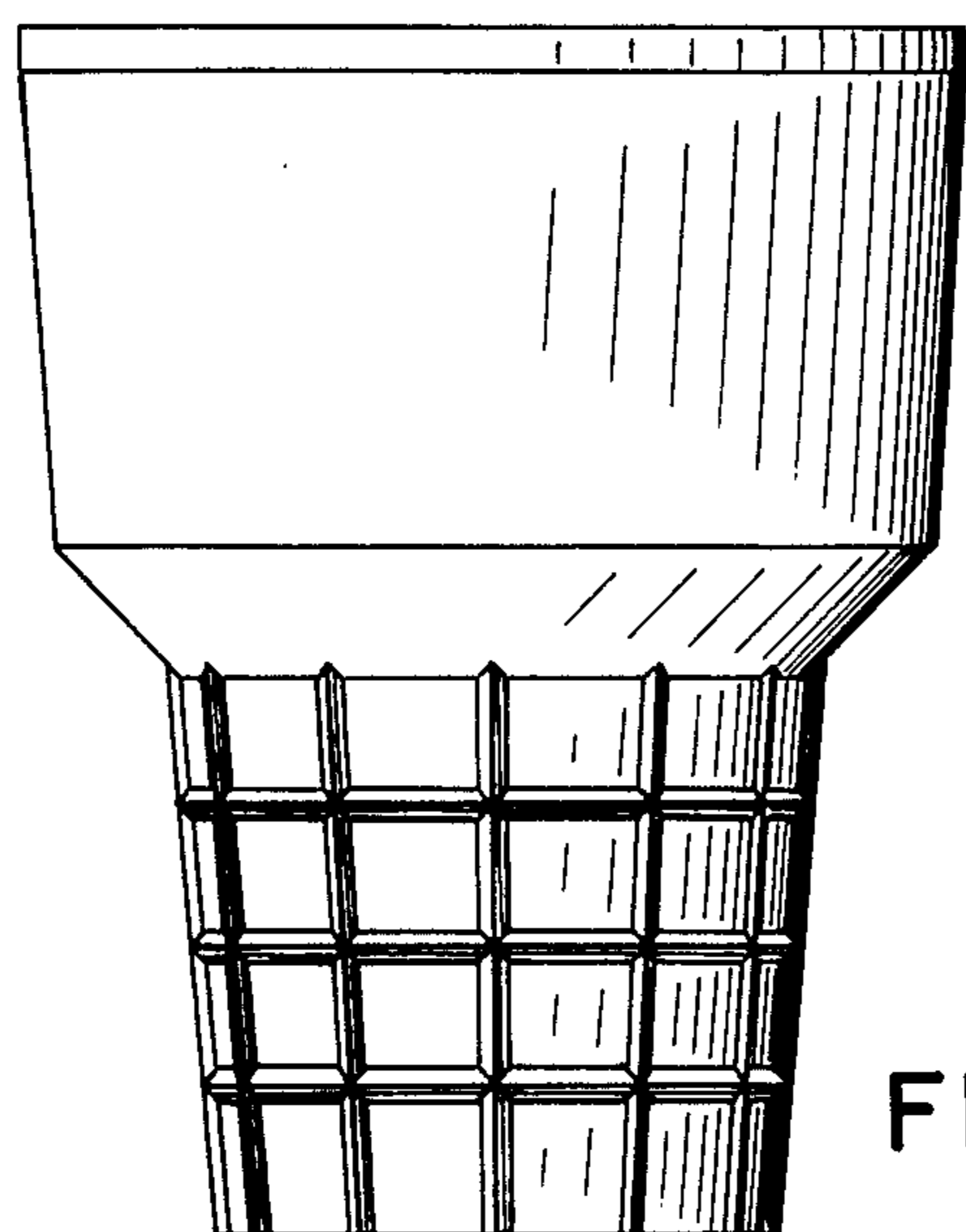


FIG. 3

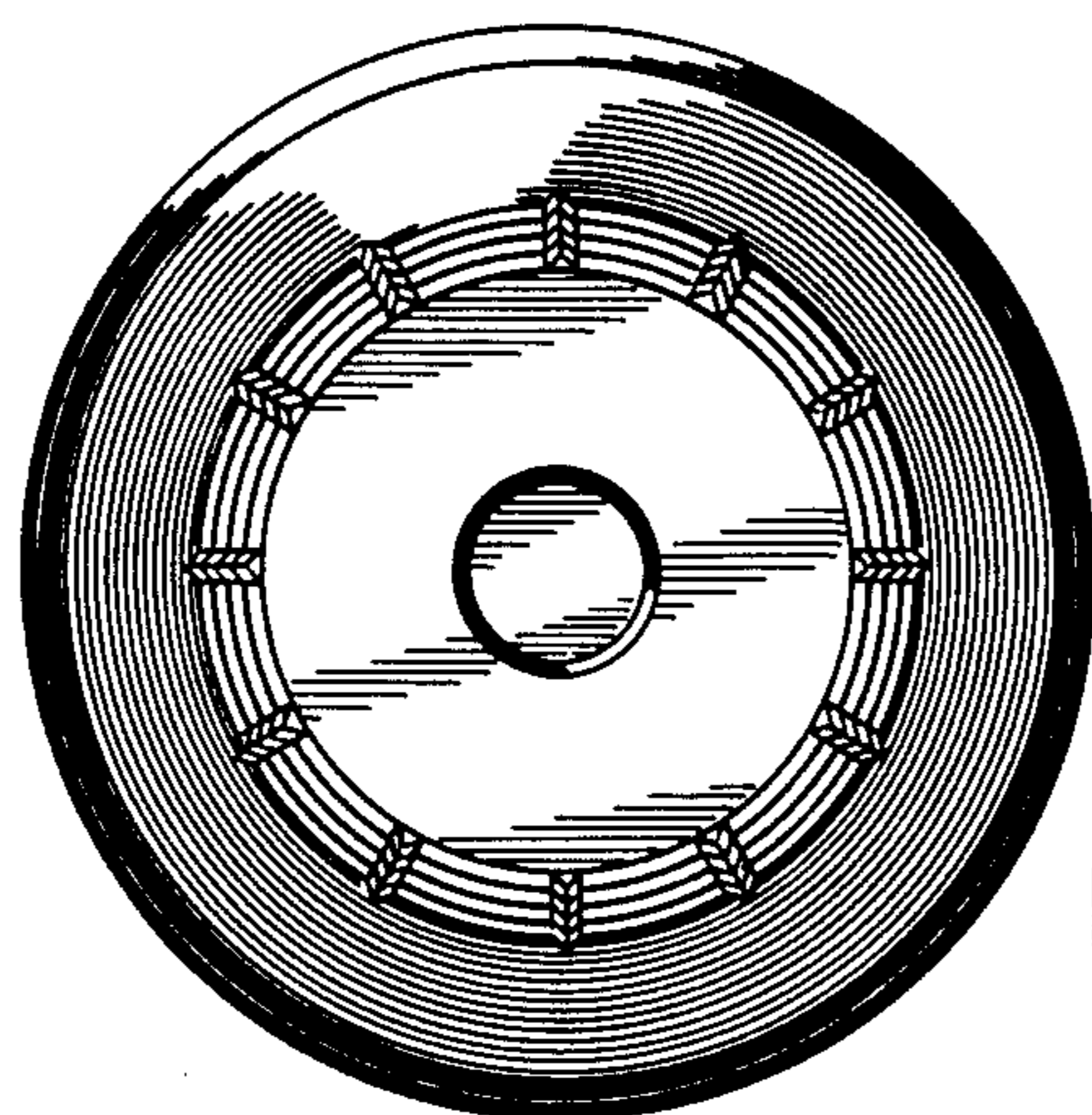


FIG. 4

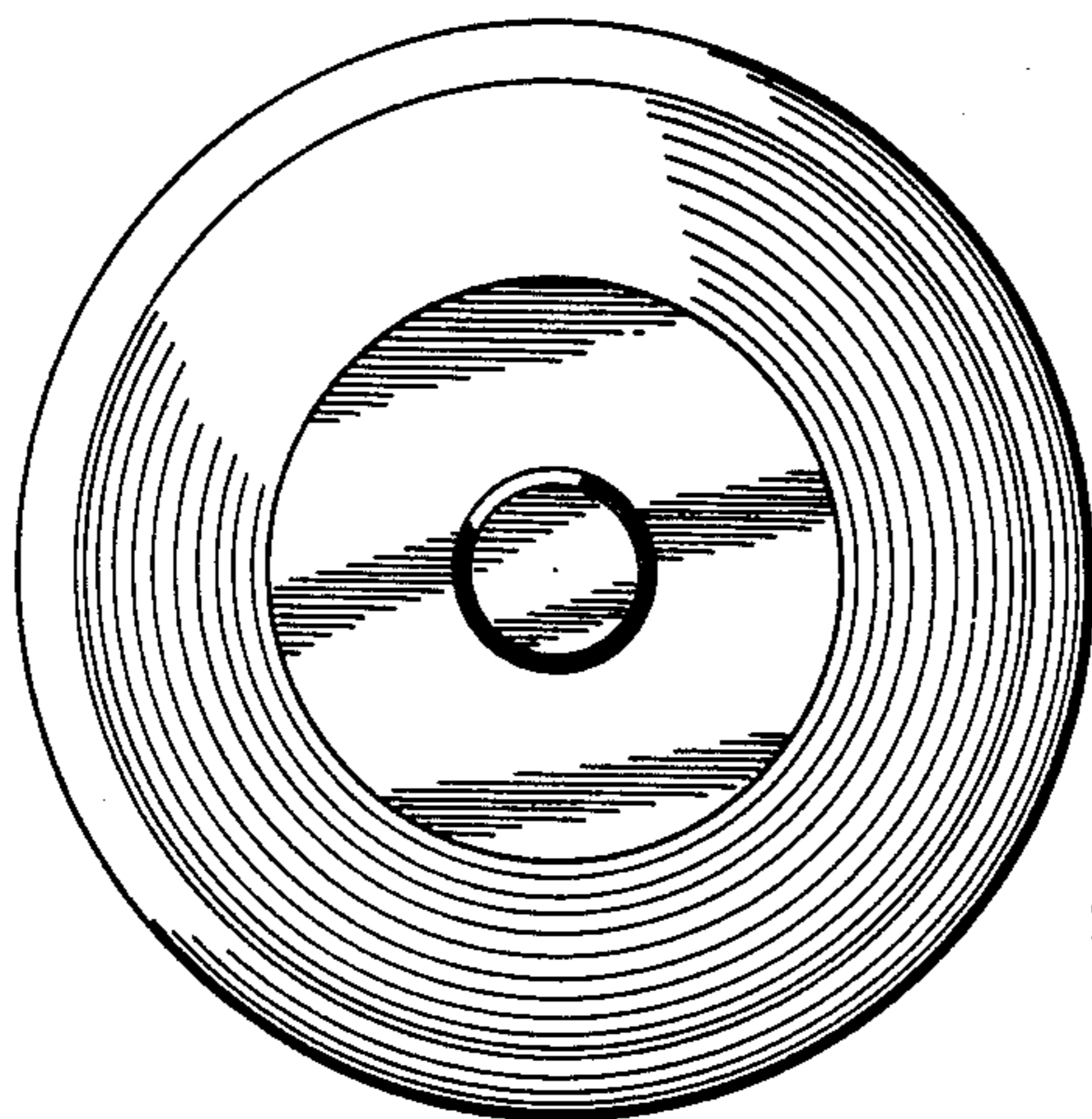


FIG. 5



FIG. 6

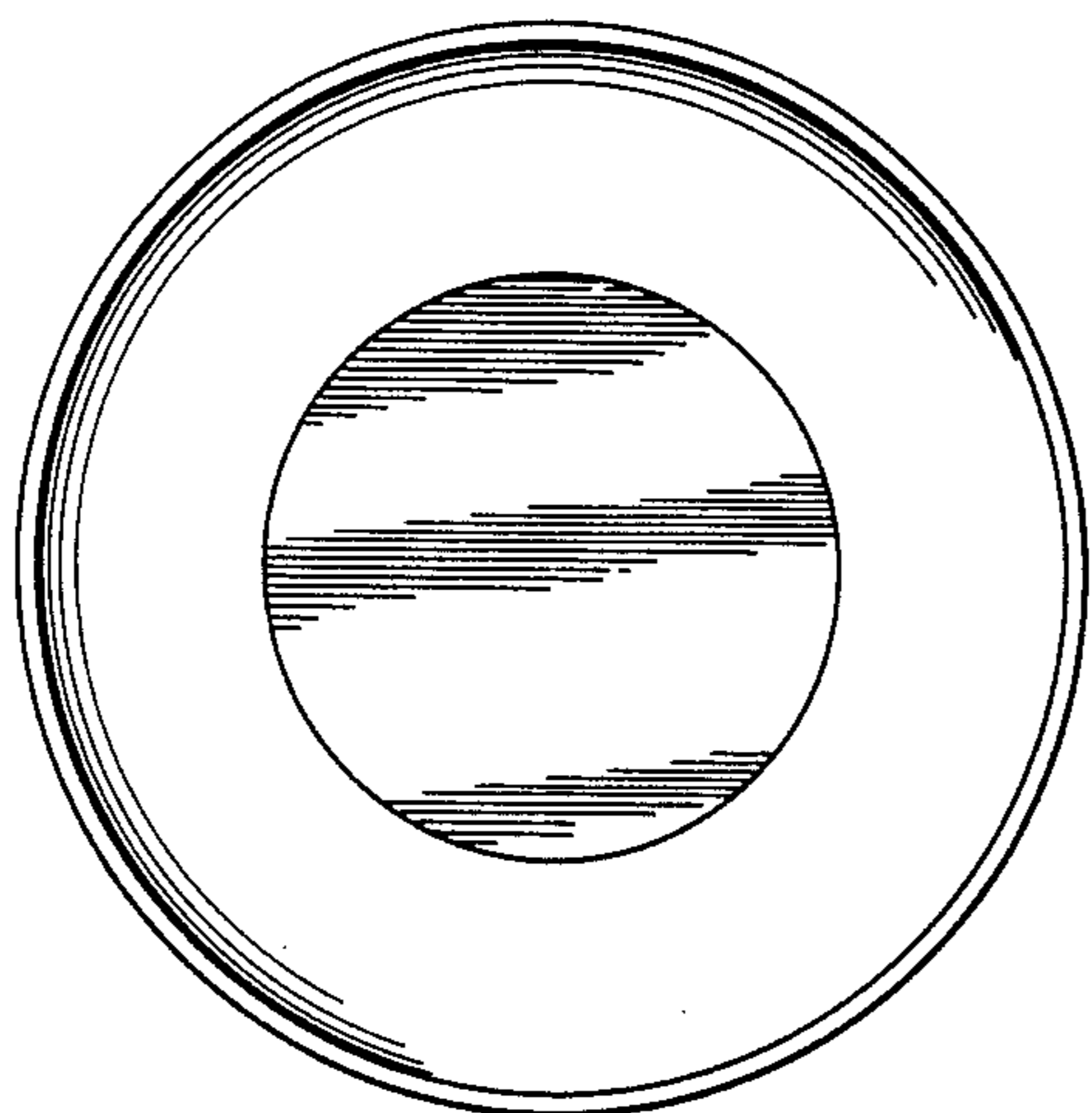


FIG. 7