

[54] **BAR**  
[75] Inventor: Ernest A. Pittman, Courtland, Mich.

D. 157,478 2/1950 Farkas, Jr. .... D6/56  
D. 228,103 8/1973 Skalka et al. .... D6/144 X  
D. 235,234 6/1975 Johnson .... D6/36

[73] Assignee: Chromcraft Corporation,  
Amsterdam, N.Y.

OTHER PUBLICATIONS

[\*] Notice: The portion of the term of this patent  
subsequent to Jun. 24, 1994, has been  
disclaimed.

Bar Accessories Cat., © 1949, p. 25, bar.

Primary Examiner—Bruce W. Dunkins  
Attorney, Agent, or Firm—Joseph P. Flanagan

[\*\*] Term: 14 Years

[57] CLAIM

[21] Appl. No.: 771,605

The ornamental design for a bar, as shown and de-  
scribed.

[22] Filed: Feb. 24, 1977

DESCRIPTION

[51] Int. Cl. .... D6-04

[52] U.S. Cl. .... D6/144

[58] Field of Search ..... D6/37, 56, 58, 59, 60,  
D6/64, 144

FIG. 1 is a front perspective view of a bar.  
FIG. 2 is a front perspective view of the bar of FIG. 1.  
In each view, the side not shown is similar to the side  
shown.

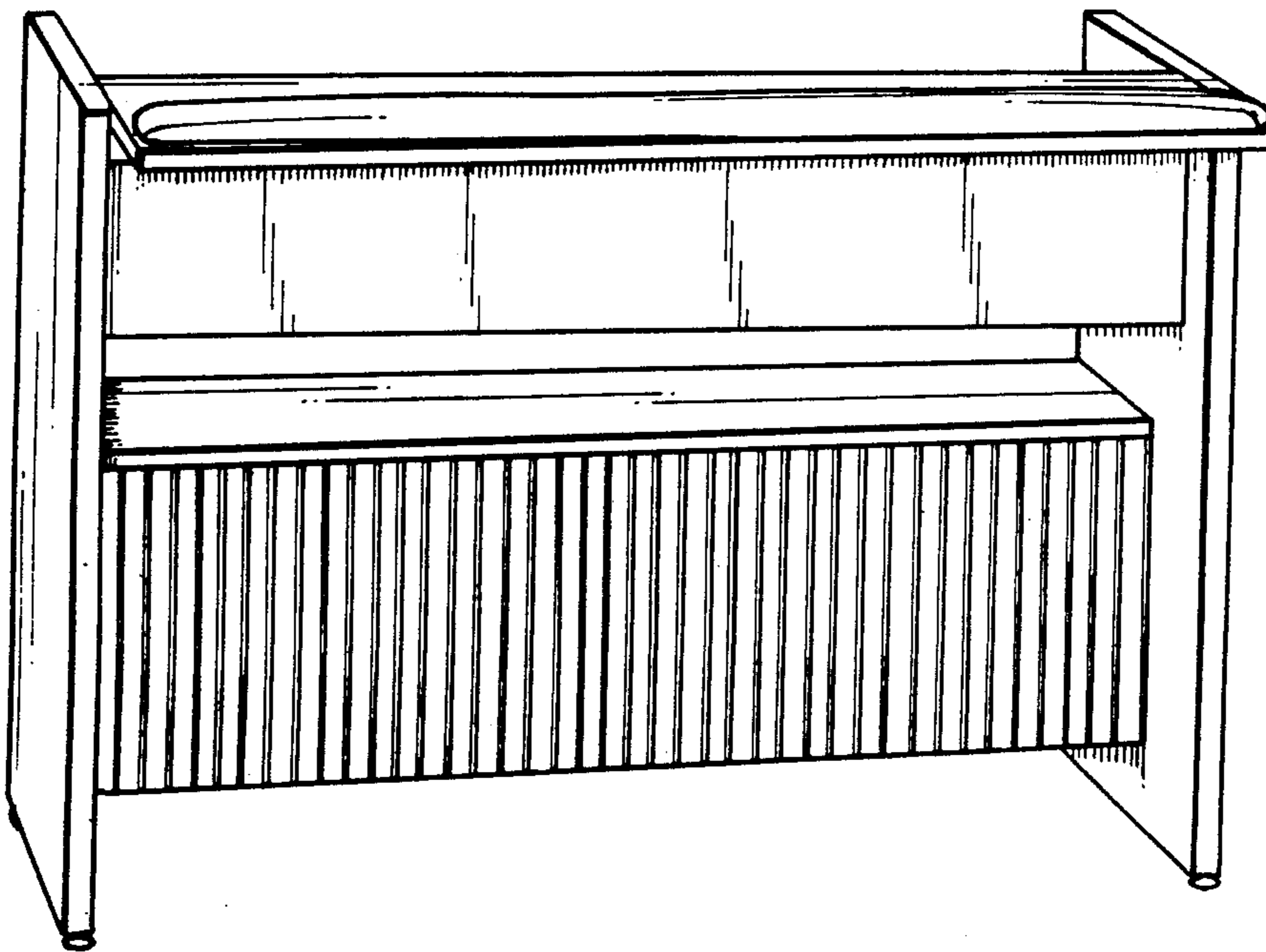
[56] References Cited

U.S. PATENT DOCUMENTS

D. 150,194 7/1948 Barrett ..... D6/144

In FIG. 1 the top work surface of the bar is in its open  
position while in FIG. 2 the work surface is in its closed  
position.

The back is conventional in appearance.



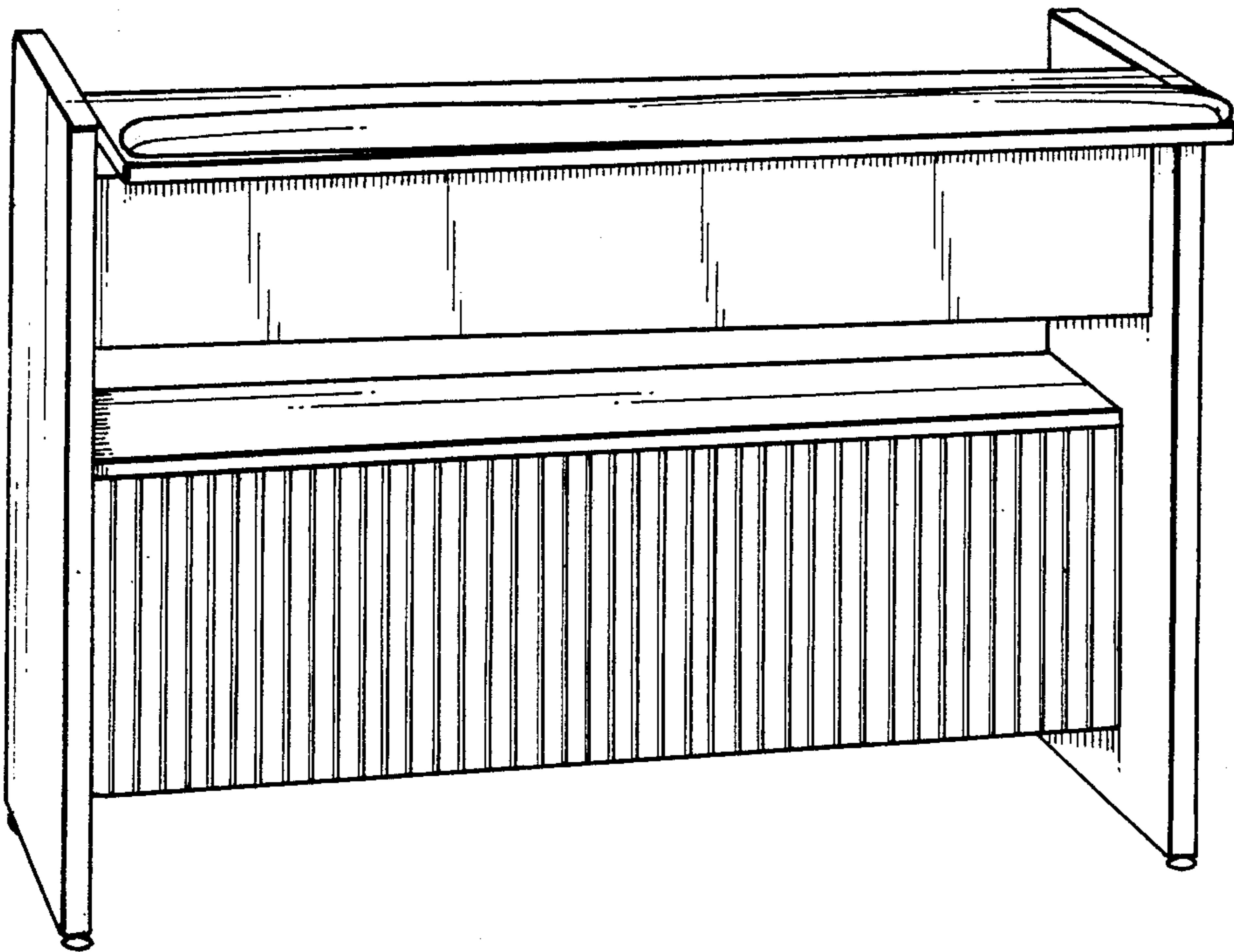


FIG. 1.

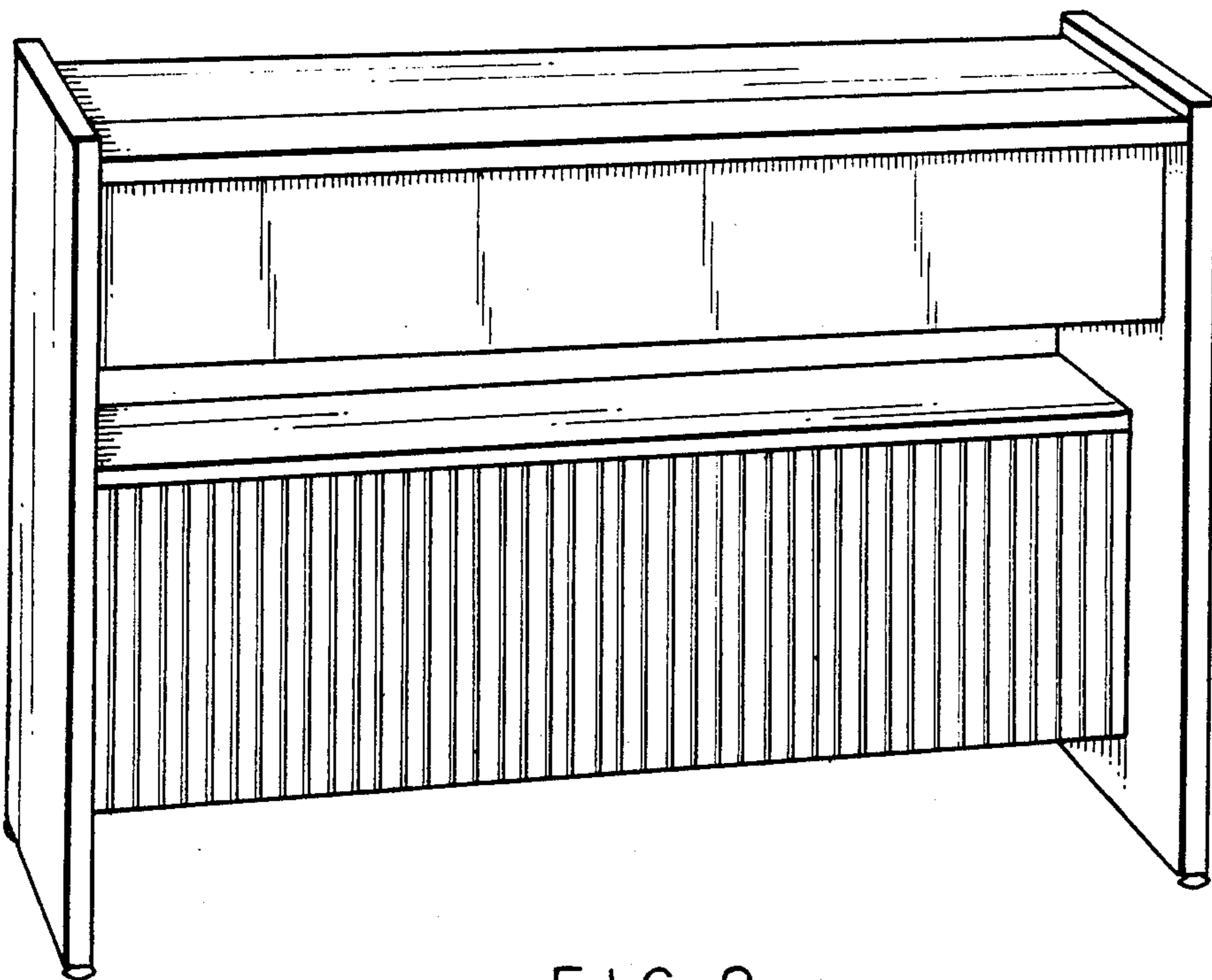


FIG. 2.