

[54] HAND TOTE BAG

[75] Inventor: David E. Workman, Evergreen, Colo.

[73] Assignee: Samsonite Corporation, Denver, Colo.

[**] Term: 14 Years

[21] Appl. No.: 7,786

[22] Filed: Jan. 30, 1979

[51] Int. Cl. D3-01

[52] U.S. Cl. D3/71; D3/53; D3/76

[58] Field of Search D3/30, 42, 48, 53, 71, D3/76, 77; 150/1, 1.6; 190/41 Z, 41 R, 48, 52

[56] References Cited

U.S. PATENT DOCUMENTS

D. 158,513	5/1950	Schlessinger	D3/71
D. 231,869	6/1974	Ohyama	D3/71
D. 248,794	8/1978	Cooper	D3/71
D. 250,435	11/1978	Cooper	D3/71

Primary Examiner—George P. Word
Attorney, Agent, or Firm—George J. Netter

[57] CLAIM

The ornamental design for a hand tote bag, as shown.

DESCRIPTION

FIG. 1 is a perspective view of a hand tote bag showing my new design;
FIG. 2 is a rear elevational view thereof;
FIG. 3 is a right end elevational view thereof;
FIG. 4 is a top plan view; and
FIG. 5 is a bottom plan view.

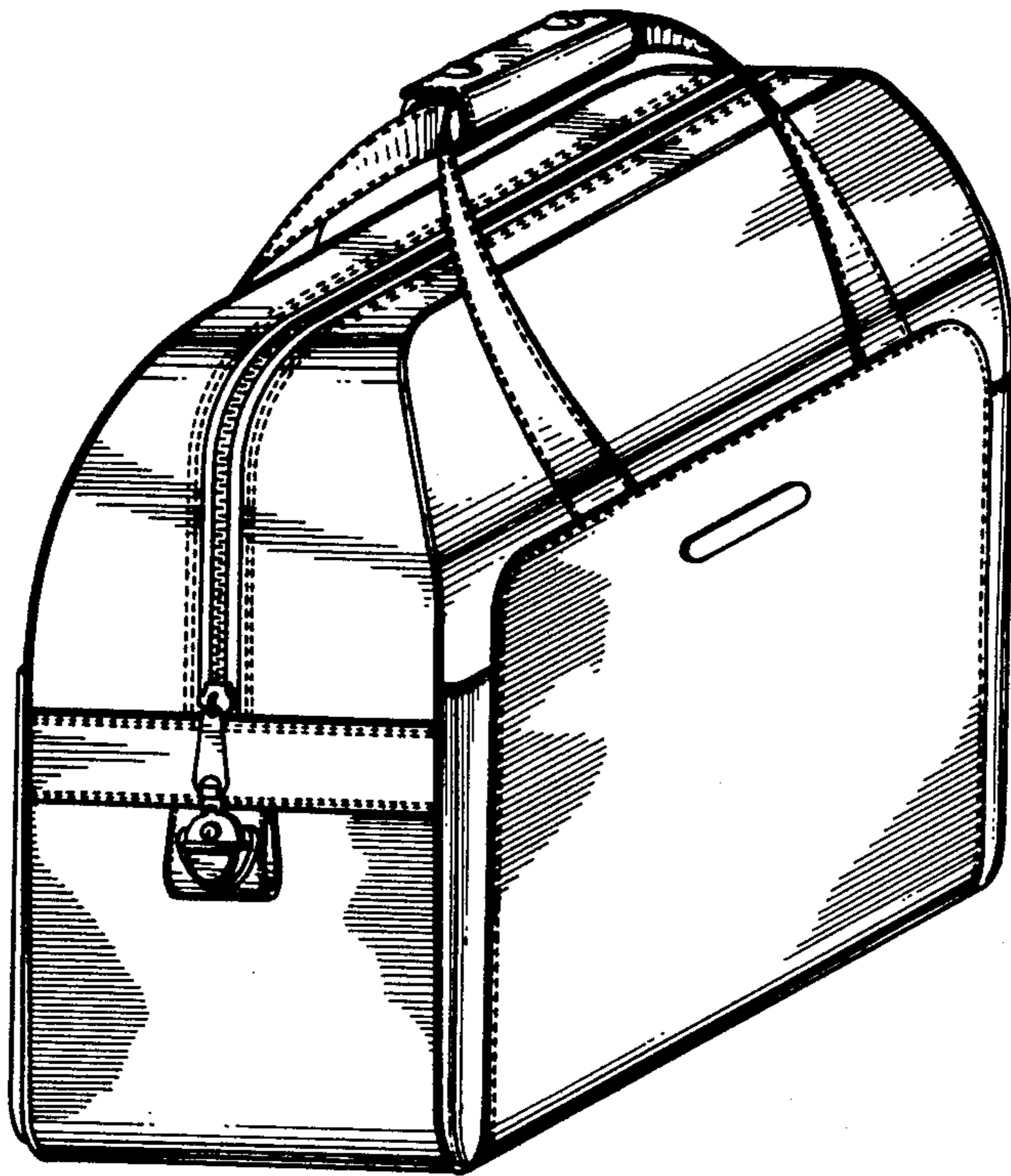


FIG.1

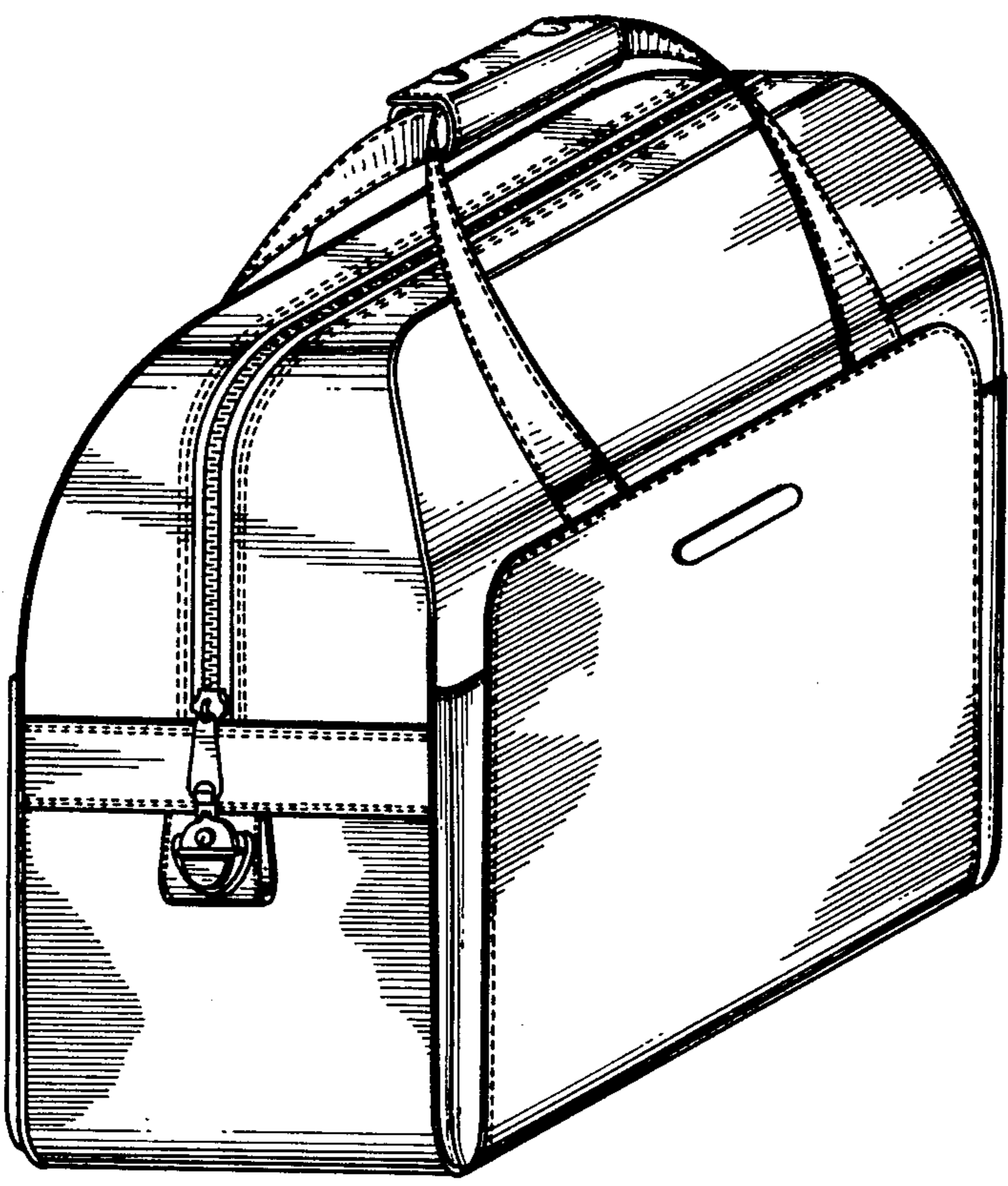


FIG.2



FIG.3

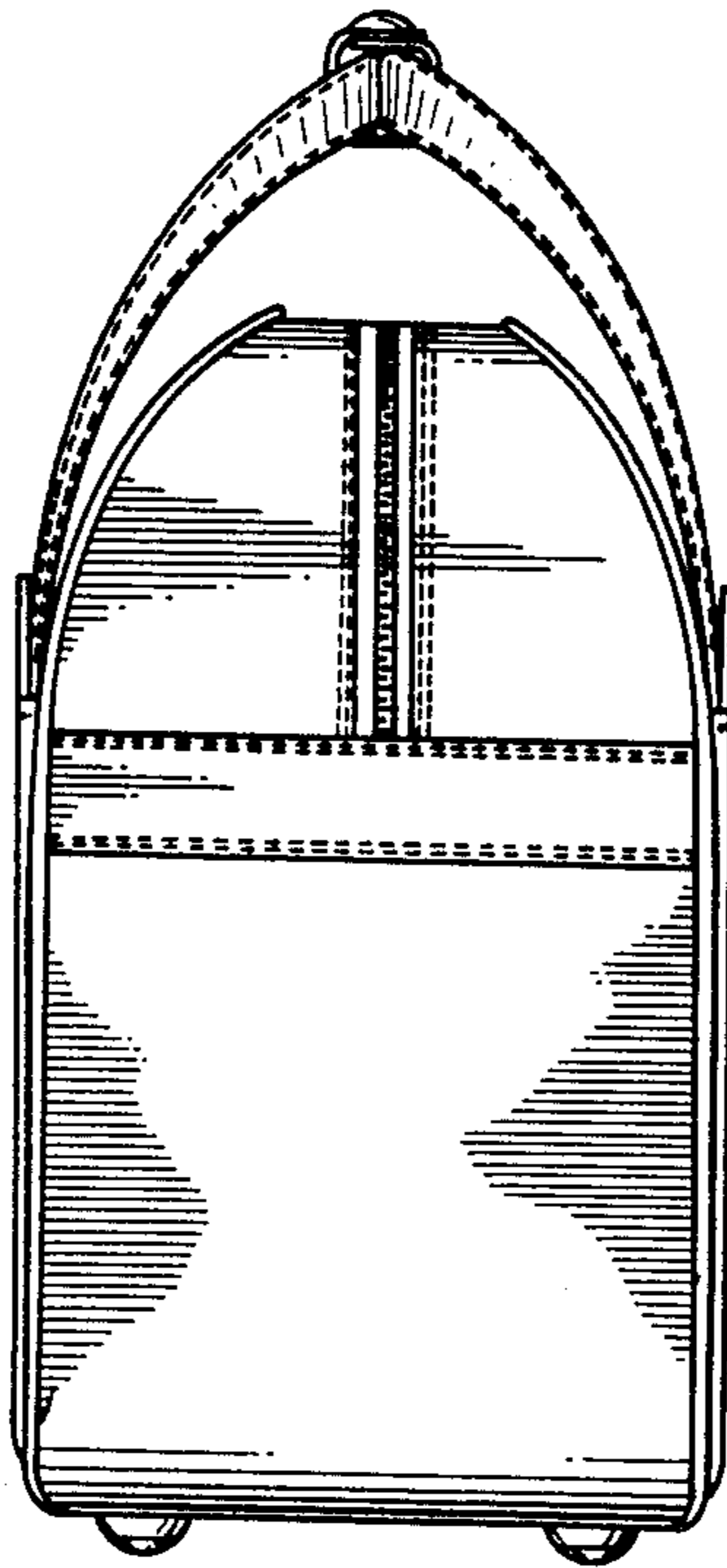


FIG.4

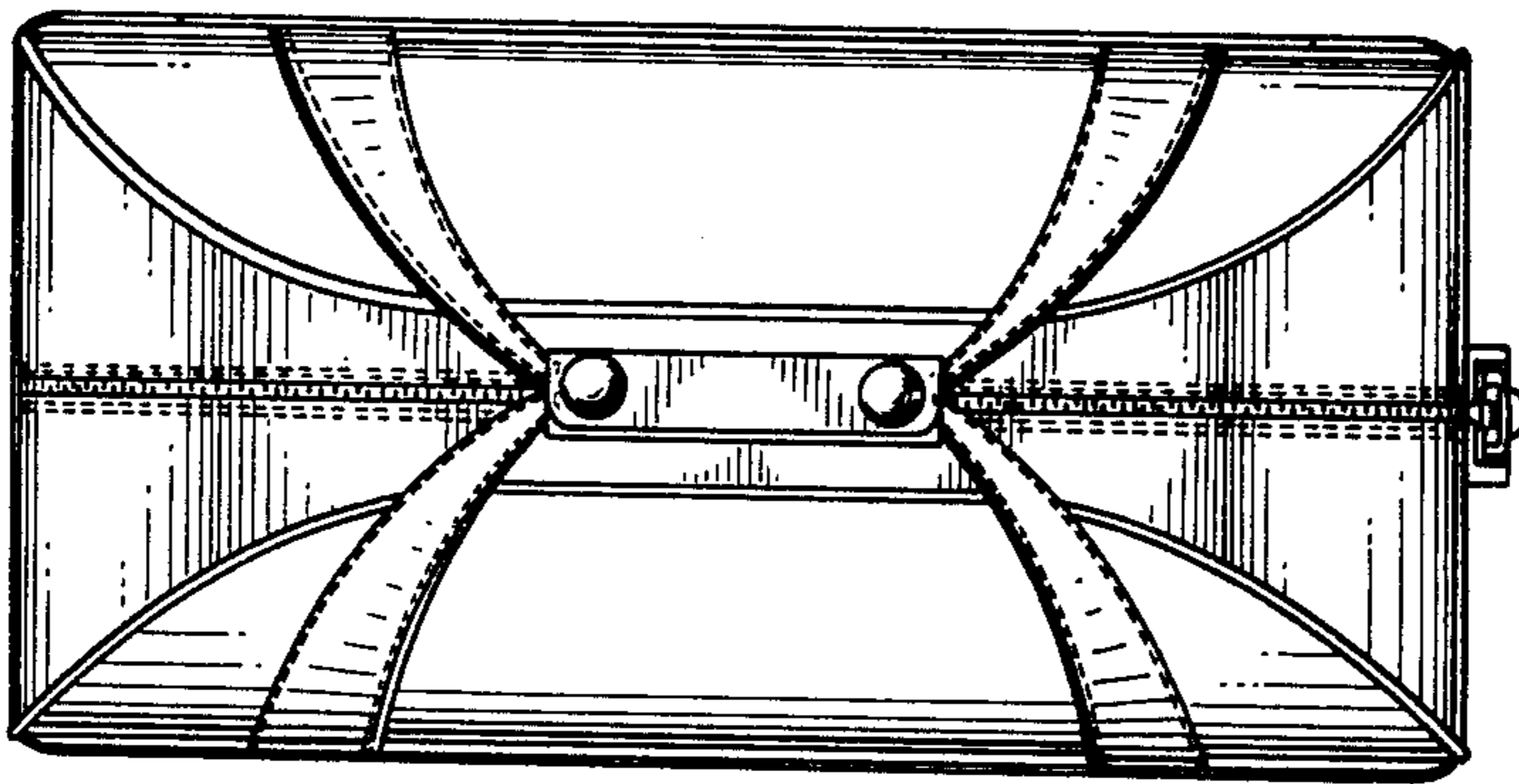


FIG.5

