

[54] STORAGE CONTAINER FOR TOBACCO PRODUCTS OR THE LIKE

[76] Inventor: Steven Lee, 151 Seymour Rd., Woodbridge, Conn. 06525

[\*\*] Term: 14 Years

[21] Appl. No.: 35,623

[22] Filed: May 3, 1979

[51] Int. Cl. .... D27-07

[52] U.S. Cl. .... D27/47; D3/30; D19/75; D19/78; D19/92

[58] Field of Search .... D3/30, 30.5, 35, 40, D3/78; D27/43, 47, 51; D9/223; D6/128, 137; D19/20-22, 76-78, 86, 89, 92; 131/20 R; 206/267

[56] References Cited

U.S. PATENT DOCUMENTS

D. 91,515 2/1934 Du Bois ..... D19/22  
D. 209,882 1/1968 Andersen ..... D19/78

D. 225,479 12/1972 Zottola ..... D3/35  
D. 235,513 6/1975 Greer et al. .... D9/223  
D. 249,166 8/1978 Strathman ..... D27/51  
D. 251,496 4/1979 Frelander ..... D19/89

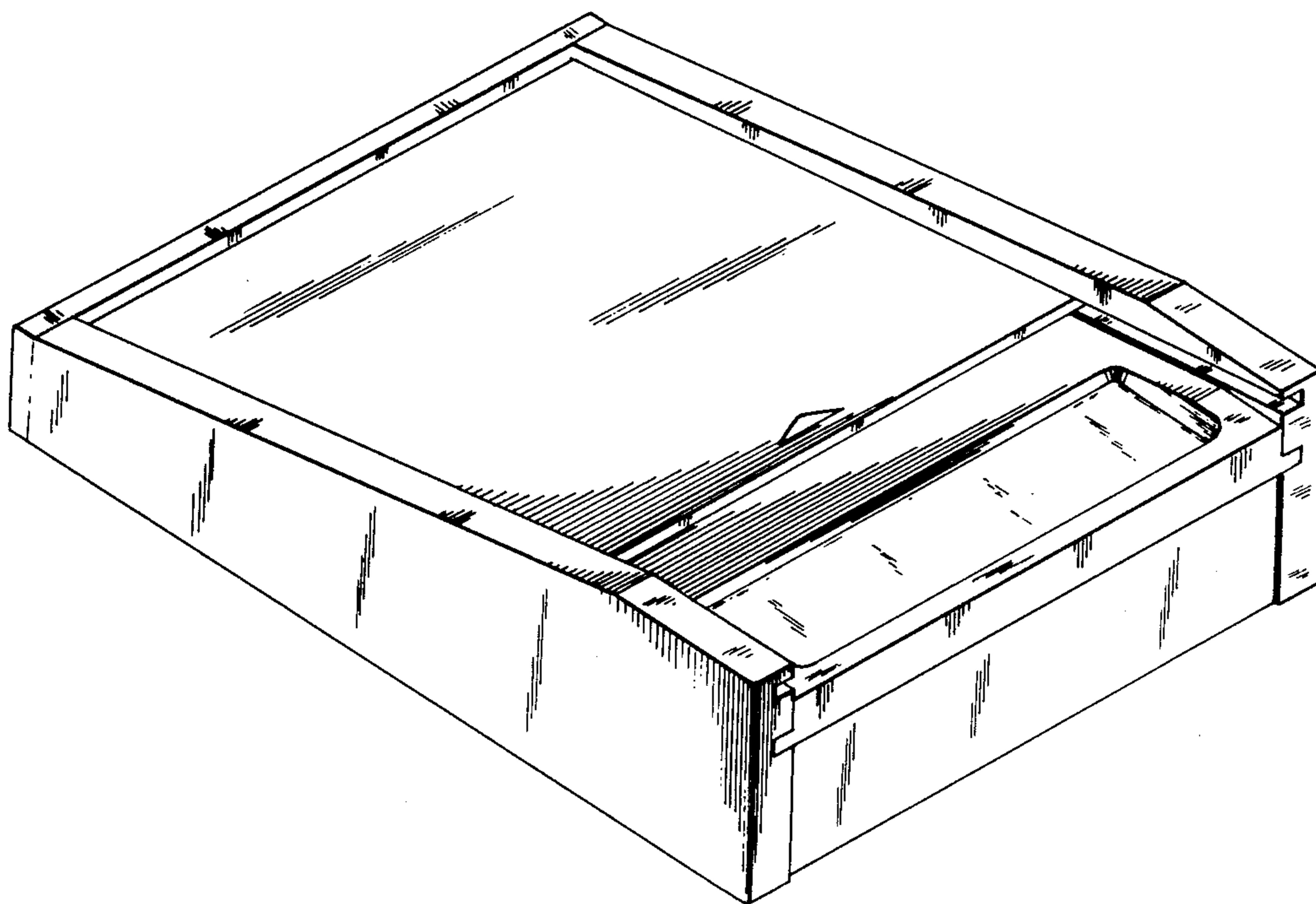
Primary Examiner—George P. Word  
Attorney, Agent, or Firm—Edward R. Weingram

[57] CLAIM

The ornamental design for a storage container for tobacco products or the like, as shown and described.

DESCRIPTION

FIG. 1 is a rear perspective view of a storage container for tobacco products showing my new design; FIG. 2 is a top plan view thereof; FIG. 3 is a bottom plan view thereof; FIG. 4 is a right side elevational view thereof; FIG. 5 is a left side elevational view thereof; FIG. 6 is a rear elevational view thereof; FIG. 7 is a front elevational view thereof; and FIG. 8 is a front perspective view thereof in the open position.



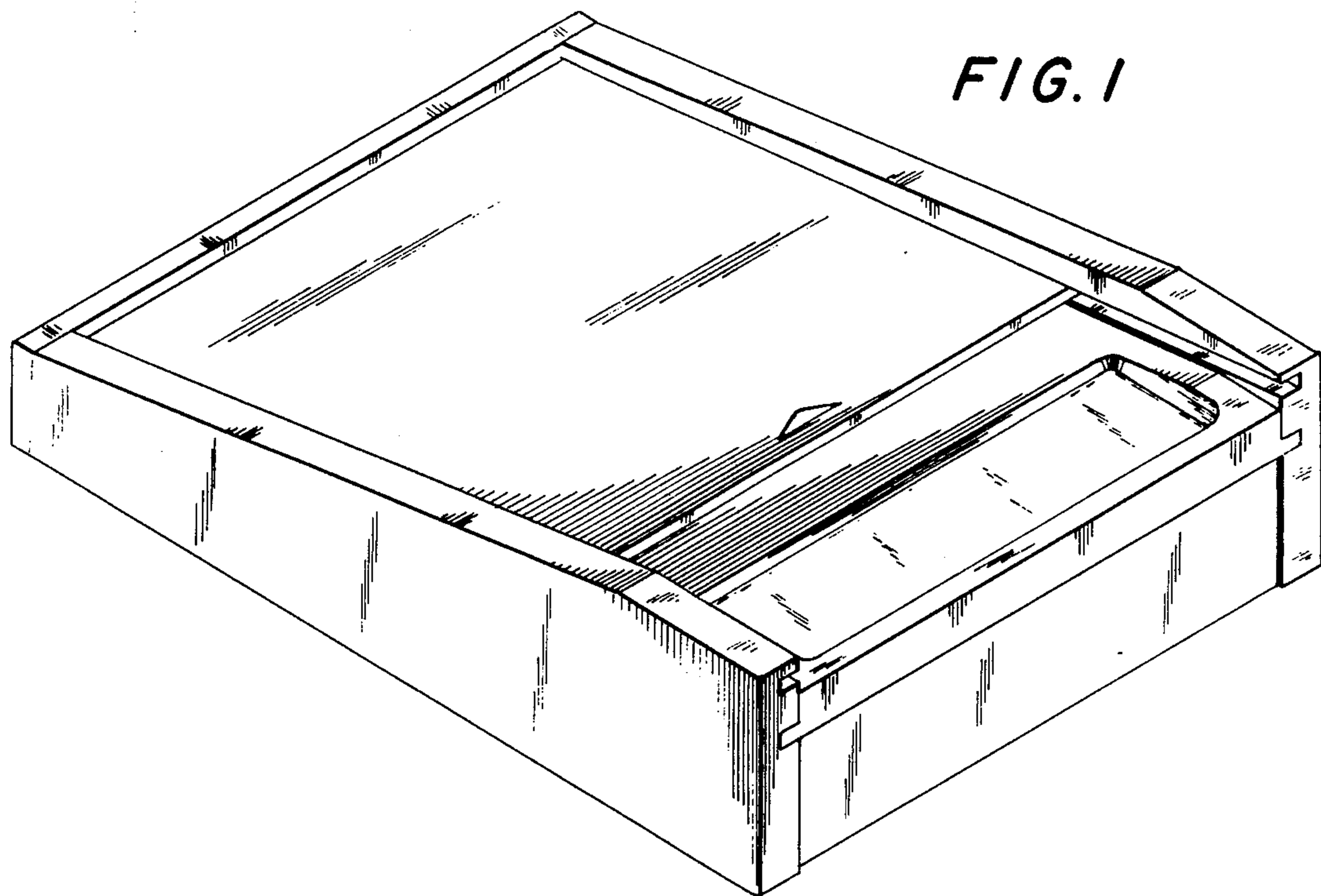


FIG. 2

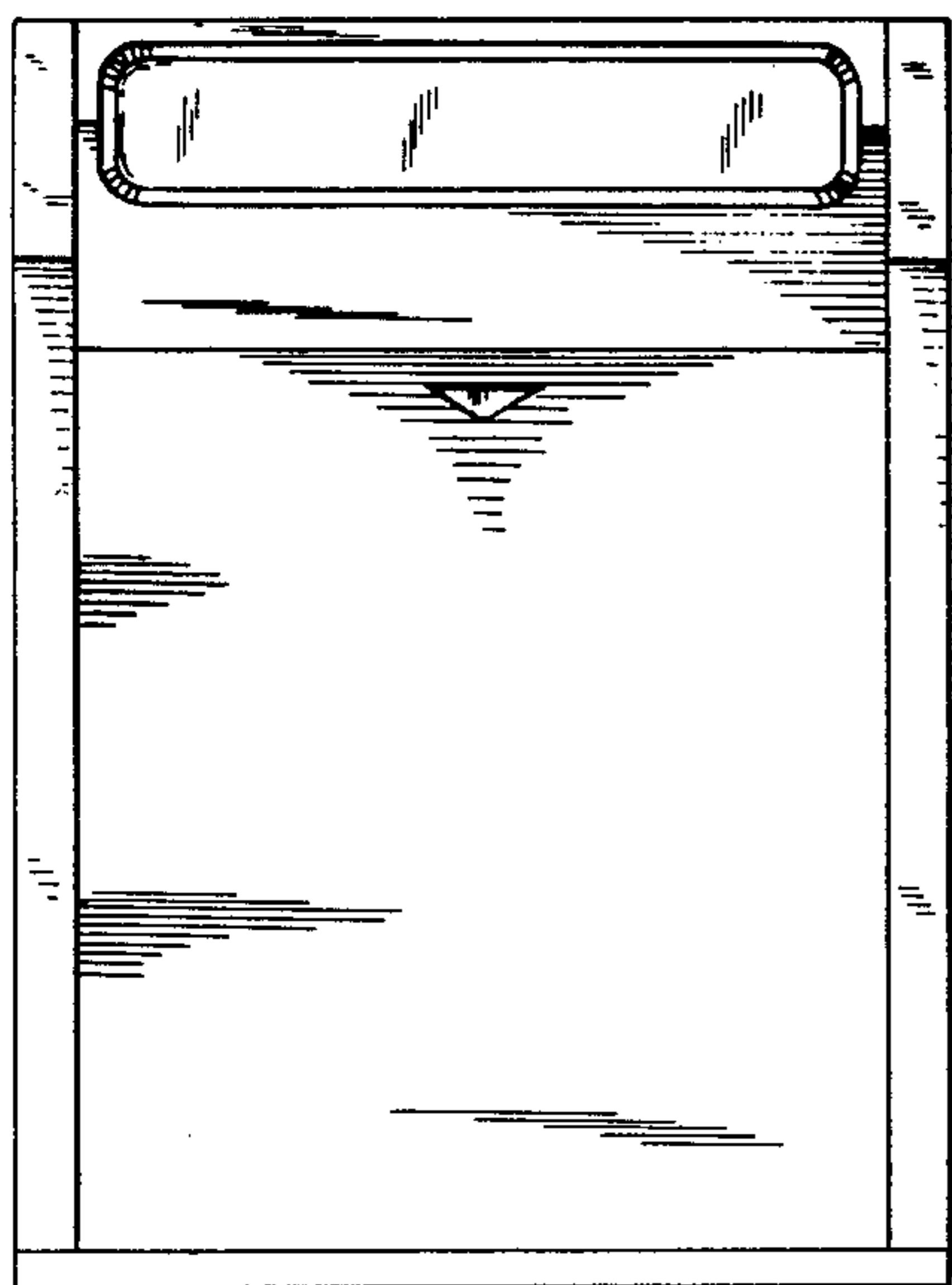
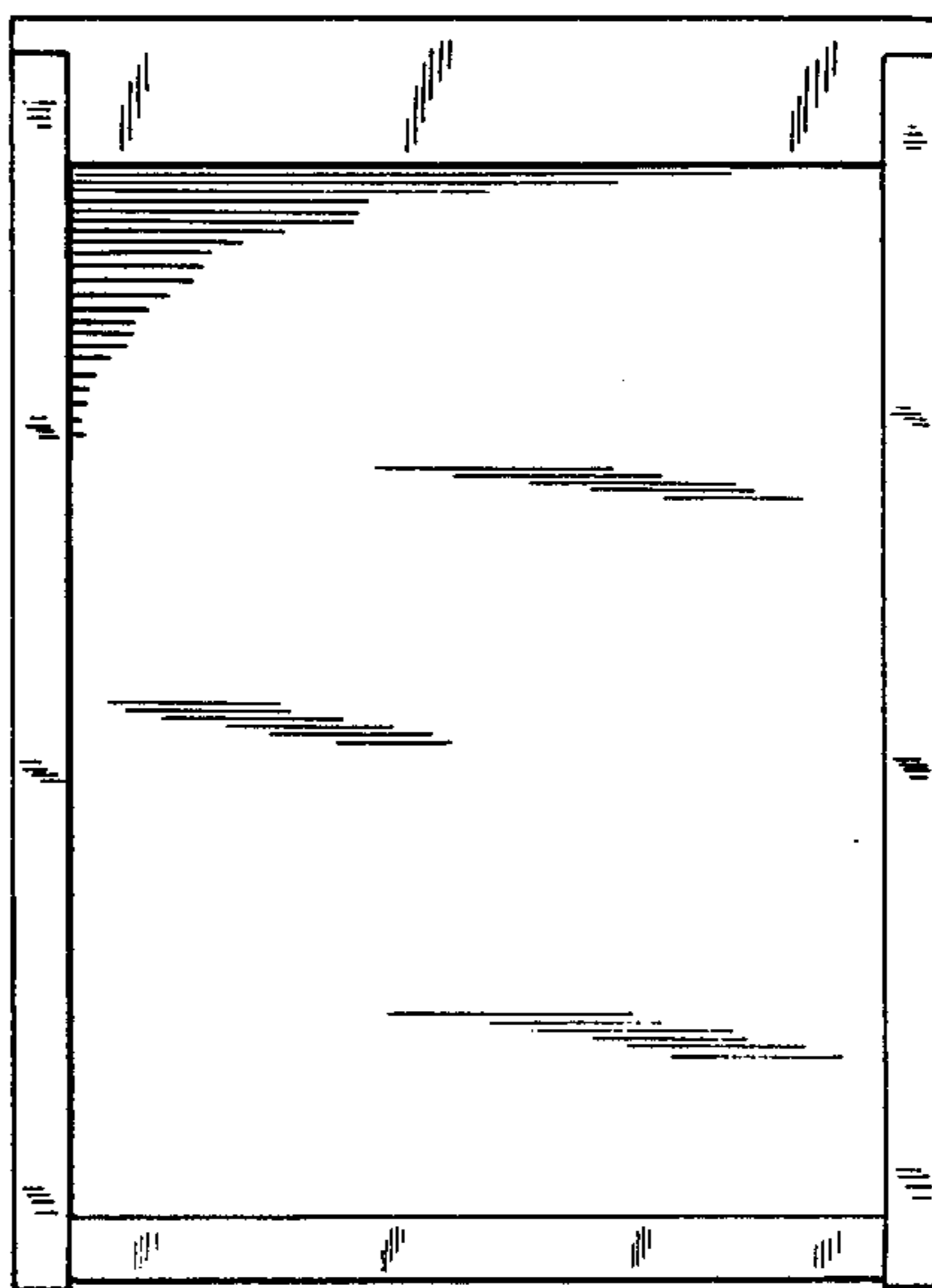
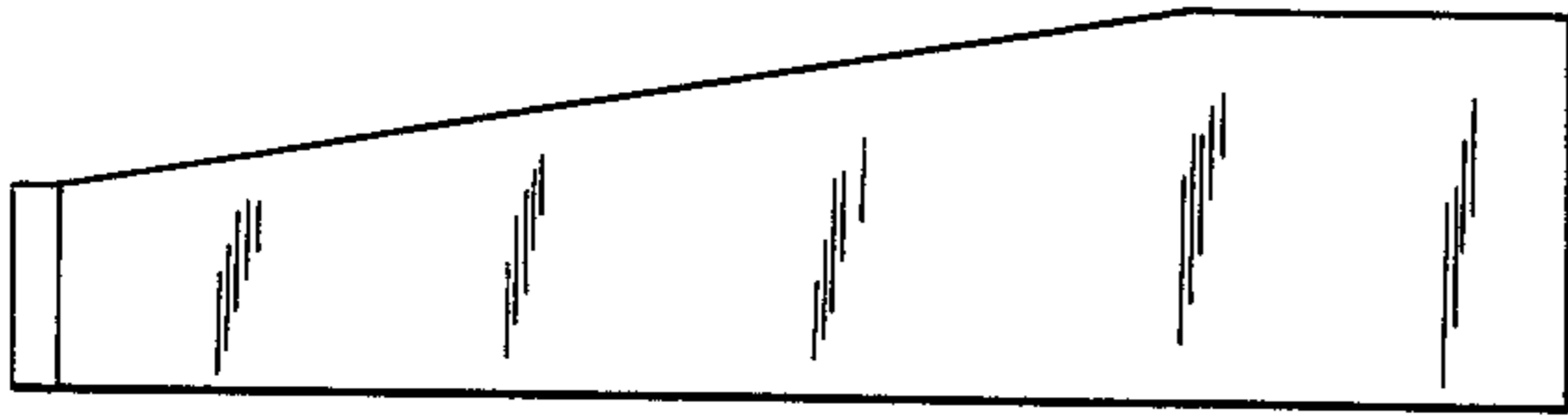


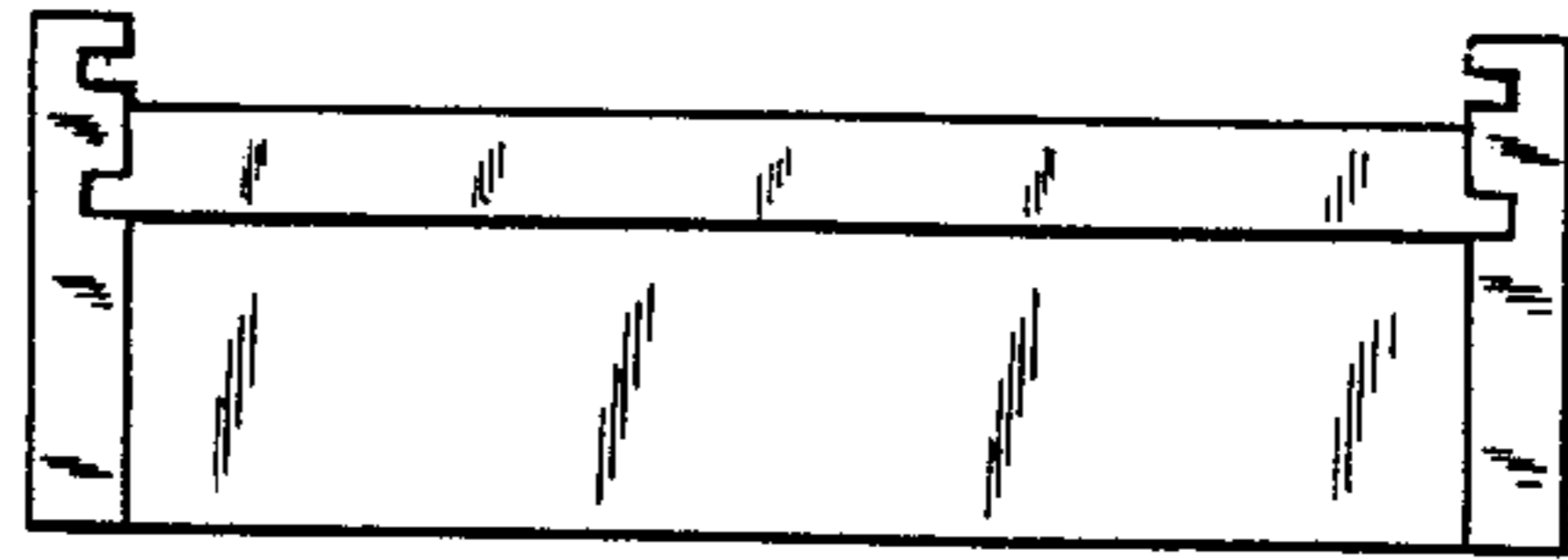
FIG. 3



*FIG. 4*



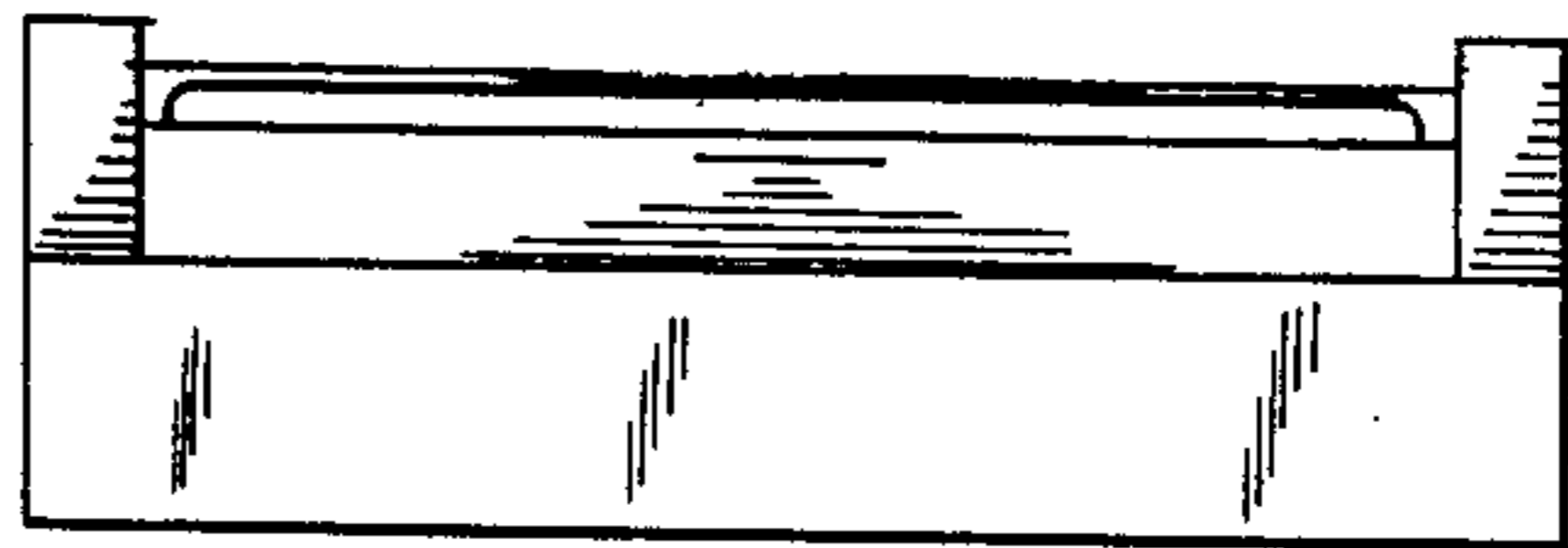
*FIG. 6*



*FIG. 5*



*FIG. 7*



*FIG. 8*

