

[54] GRATING

[75] Inventor: Robert A. Studinski, Big Rock, Ill.

[73] Assignee: Lyon Metal Products, Incorporated, Aurora, Ill.

[**] Term: 14 Years

[21] Appl. No.: 886,172

[22] Filed: Mar. 13, 1978

[51] Int. Cl. D25-02

[52] U.S. Cl. D25/90; D25/74

[58] Field of Search 52/588, 303, 263, 192, 52/522, 545, 693, 478, 673, 633, 177, 180; D25/74, 75, 80, 87, 88, 89, 90, 91, 69; 404/21

[56] References Cited

U.S. PATENT DOCUMENTS

D. 205,890	10/1966	Pink	D25/90 X
D. 208,531	9/1967	Douglass	D25/90
D. 224,703	9/1972	Kiner	D25/90
2,278,554	4/1942	Morton	404/21
3,093,216	6/1963	Dunham	D25/73 X
3,127,961	4/1964	Frazier	52/633
3,181,440	5/1965	Mullaney et al.	52/180
3,220,681	11/1965	Erbert	D25/90 X

3,565,210	2/1971	Evans	52/633
4,137,682	2/1979	Trumper	52/588 X

OTHER PUBLICATIONS

Harrington & King Perforating Co., General Catalog No. 85, C. 1967, p. 144, top panel.

Primary Examiner—A. Hugo Word

Attorney, Agent, or Firm—Edward U. Dithmar

[57] CLAIM

The ornamental design for a grating, as shown and described.

DESCRIPTION

FIG. 1 is a top plan view of a grating showing my new design;

FIG. 2 is a fragmentary view on an enlarged scale of one end of the grating of FIG. 1, showing the details thereof;

FIG. 3 is an end elevation view of the grating in FIG. 2; FIG. 4 is a fragmentary plan view like FIG. 2, depicting another form of the invention;

FIG. 5 is a fragmentary plan view like FIG. 2, depicting another form of the invention; and

FIG. 6 is a fragmentary plan view like FIG. 2, depicting another form of the invention.

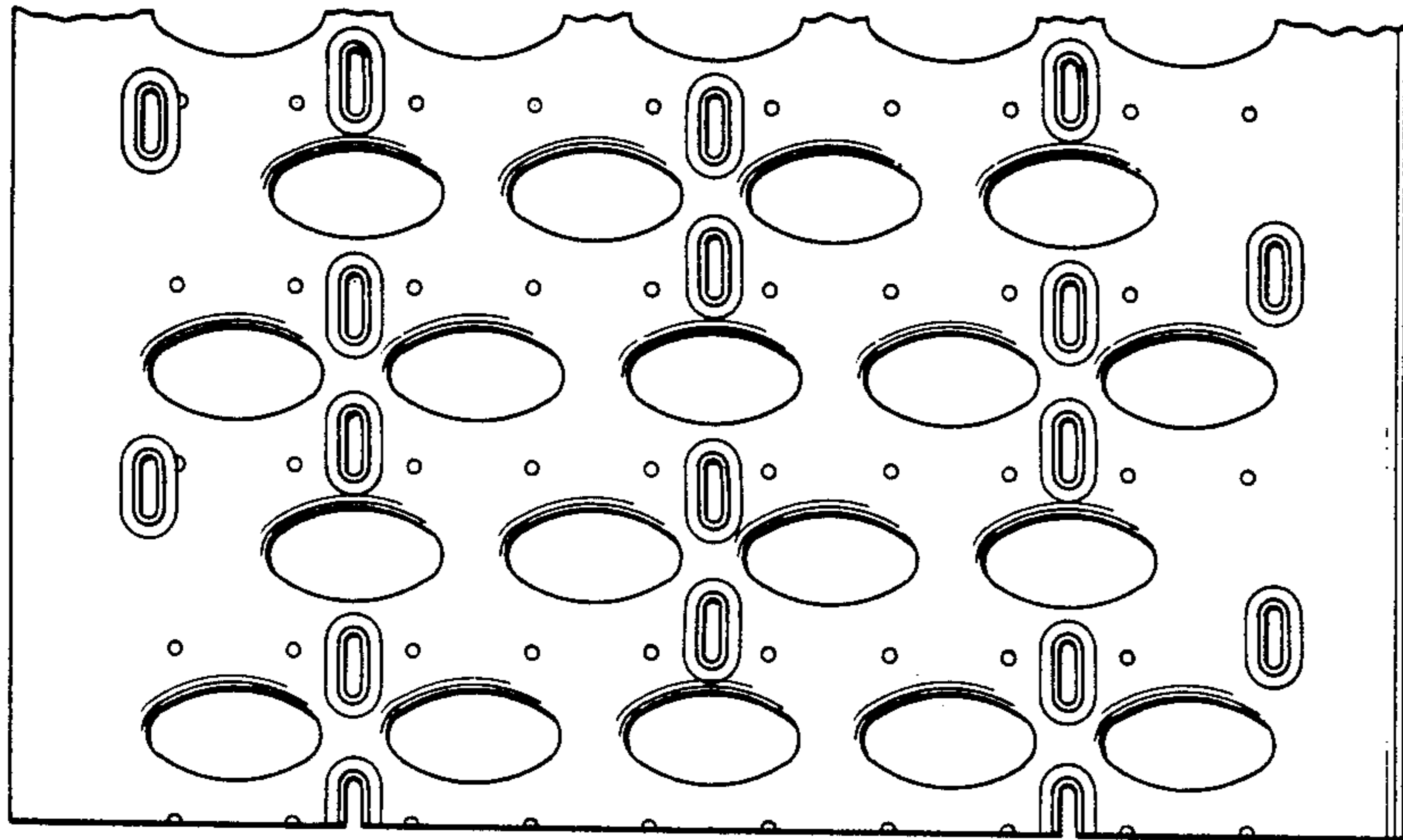


FIG. 1

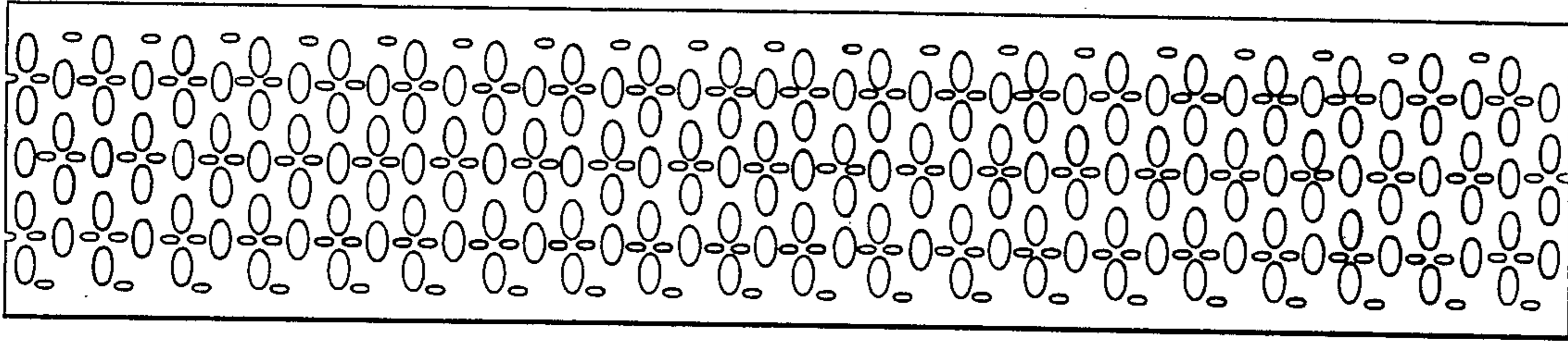


FIG. 2

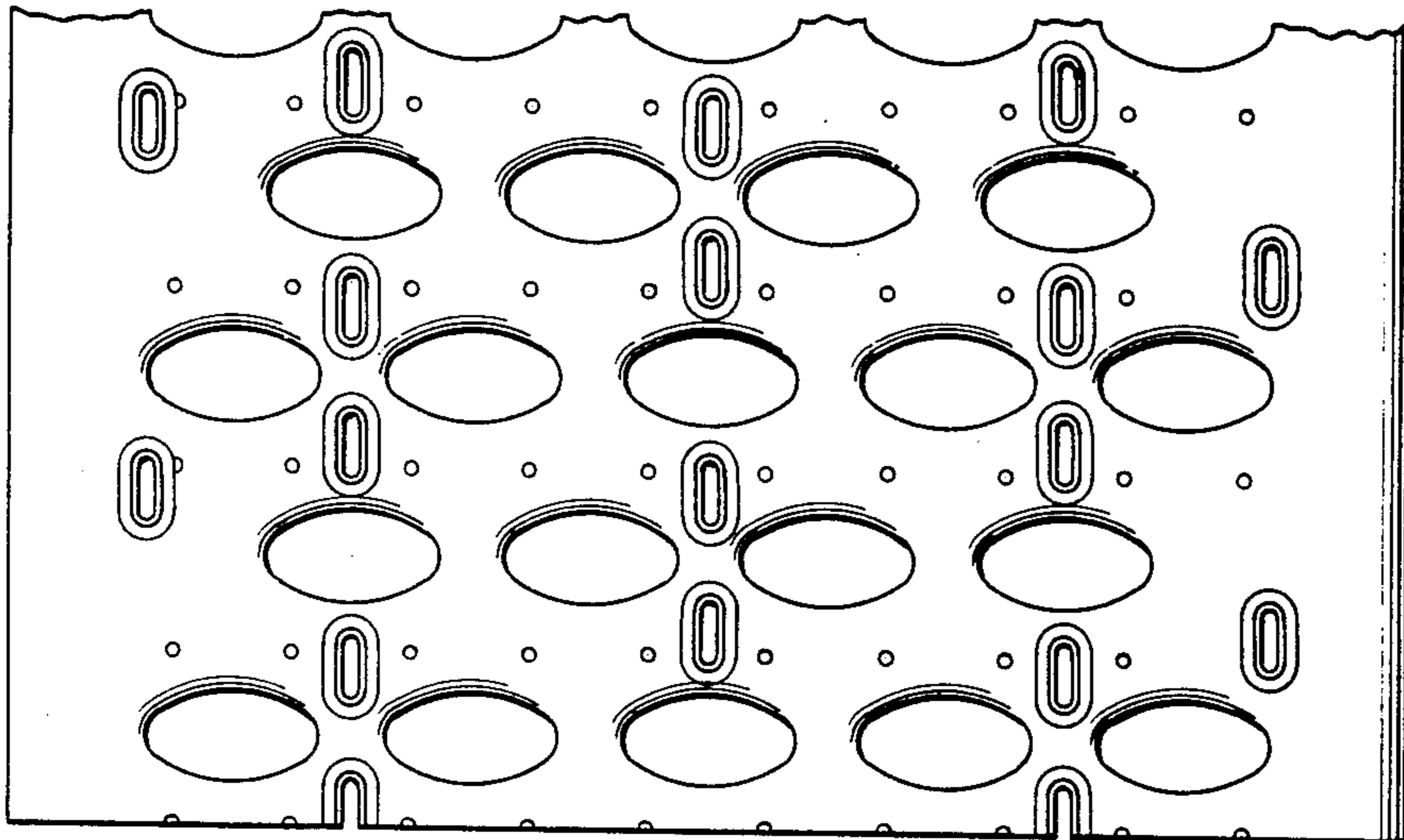


FIG. 3

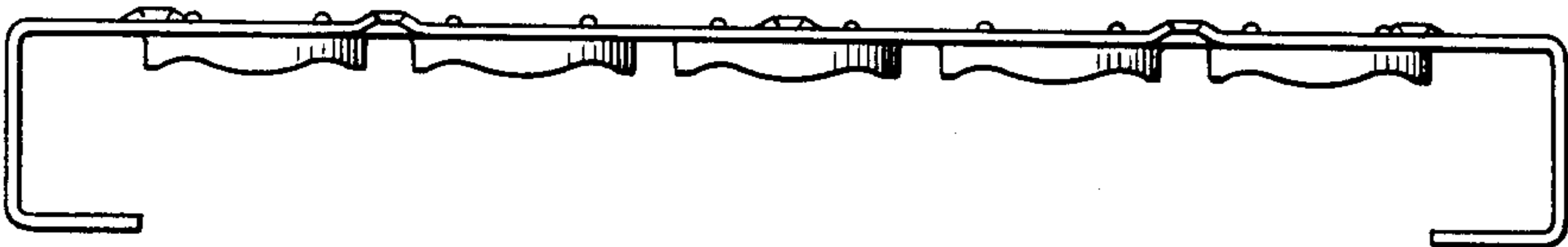


FIG. 4

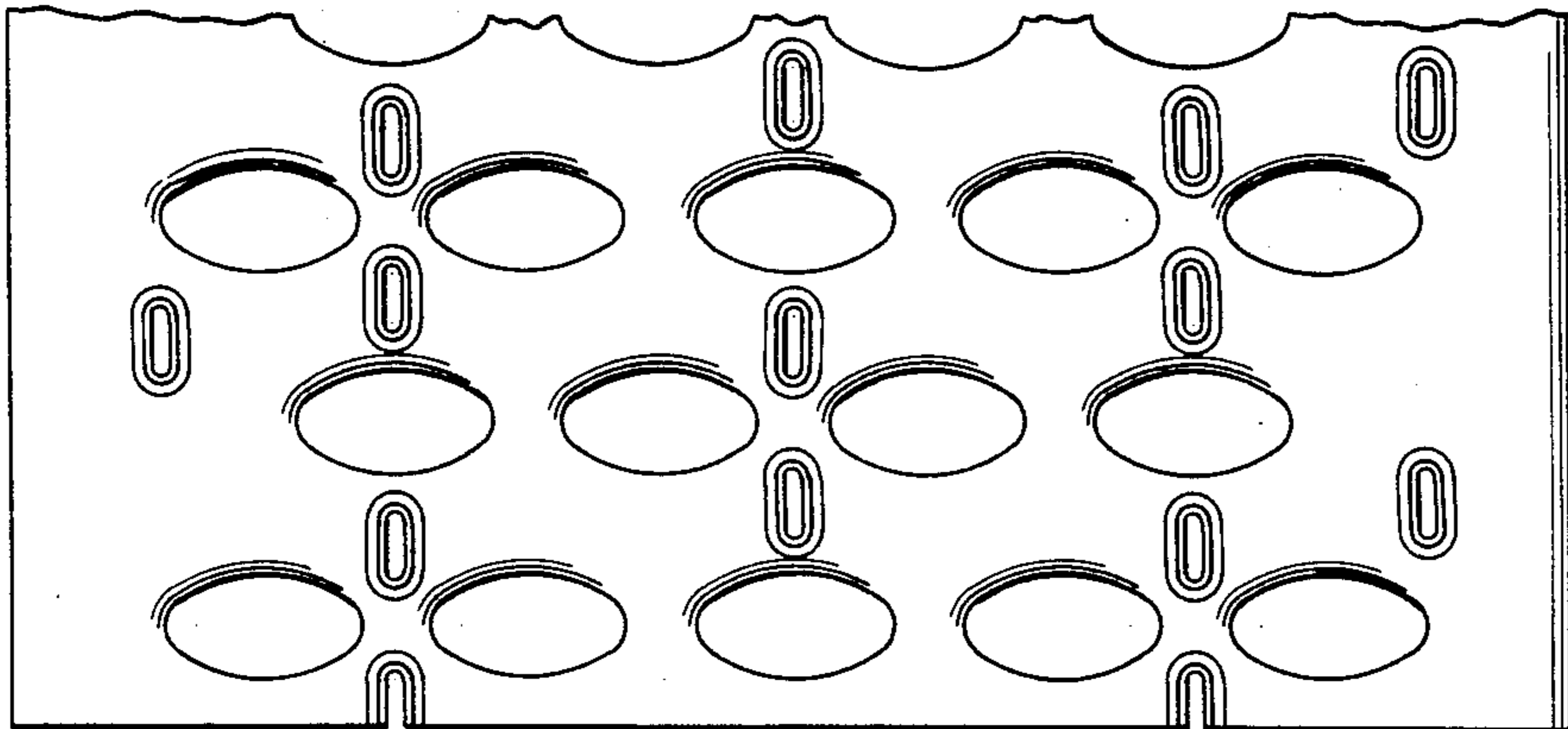


FIG. 5

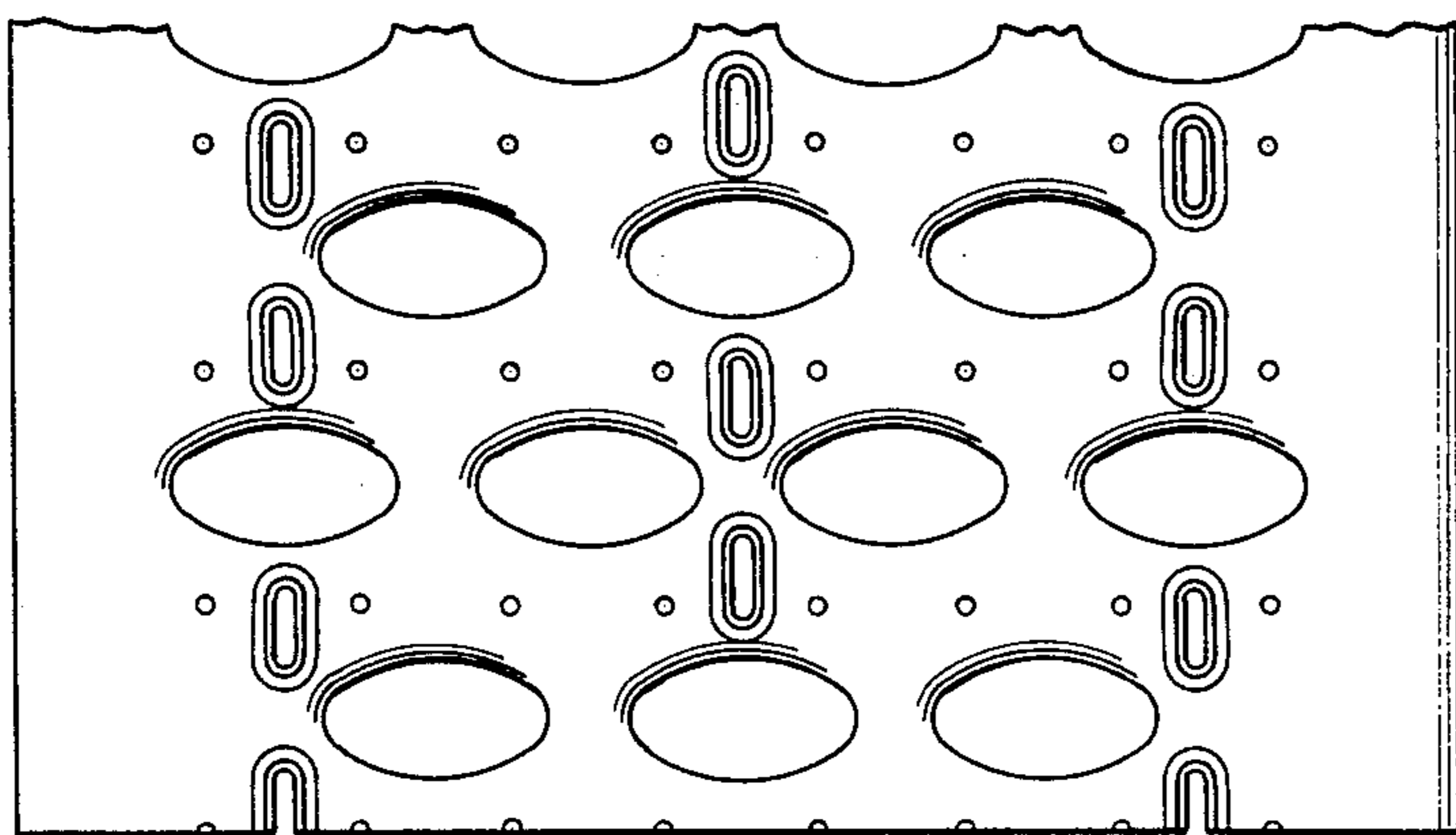


FIG. 6

