

[54] COMPRESSED AIR SPRAYER TANK
 [75] Inventors: Ho Chow, River Edge, N.J.; David Muramatsu, Long Beach, Calif.
 [73] Assignee: Beatrice Foods Co., Noonachie, N.J.
 [**] Term: 14 Years
 [21] Appl. No.: 949,878
 [22] Filed: Oct. 10, 1978
 [51] Int. Cl. D23-01
 [52] U.S. Cl. D23/2
 [58] Field of Search D23/2, 17, 18, 34-39; 270/318; 222/399, 475; 239/373

2,180,606	11/1939	Oys et al.	220/94 P
2,515,568	7/1950	Pharo	239/373 X
2,705,580	4/1955	Mack	222/475
3,262,609	7/1966	Poitnas	222/399
3,709,409	1/1973	Collins	239/373 X
3,768,706	10/1973	Hill	239/373 X
3,993,245	11/1976	Smith	222/399 X
4,154,401	5/1979	Thompson	239/373

Primary Examiner—James R. Largent
 Attorney, Agent, or Firm—Harold James

[57] CLAIM

The ornamental design for a compressed air sprayer tank, substantially as shown.

DESCRIPTION

FIG. 1 is an isometric view taken from the front and left side of a compressed air sprayer tank showing our new design;

FIG. 2 is a rear elevational view thereof;

FIG. 3 is a right side elevational view thereof;

FIG. 4 is a top plan view thereof; and

FIG. 5 is a bottom plan view thereof.

The broken line representation of a supply tube in FIGS. 1 and 2 is for purposes of illustration only.

[56] References Cited

U.S. PATENT DOCUMENTS

Re. 25,844	8/1965	Zellner	239/373 X
D. 213,249	1/1969	Winegardner	D23/2
D. 215,655	10/1969	Terrels et al.	D23/2
D. 231,783	6/1974	Morehouse	D23/18
D. 238,874	2/1976	Barthoud	D23/2
D.243,530	3/1977	Bodine et al.	D23/2

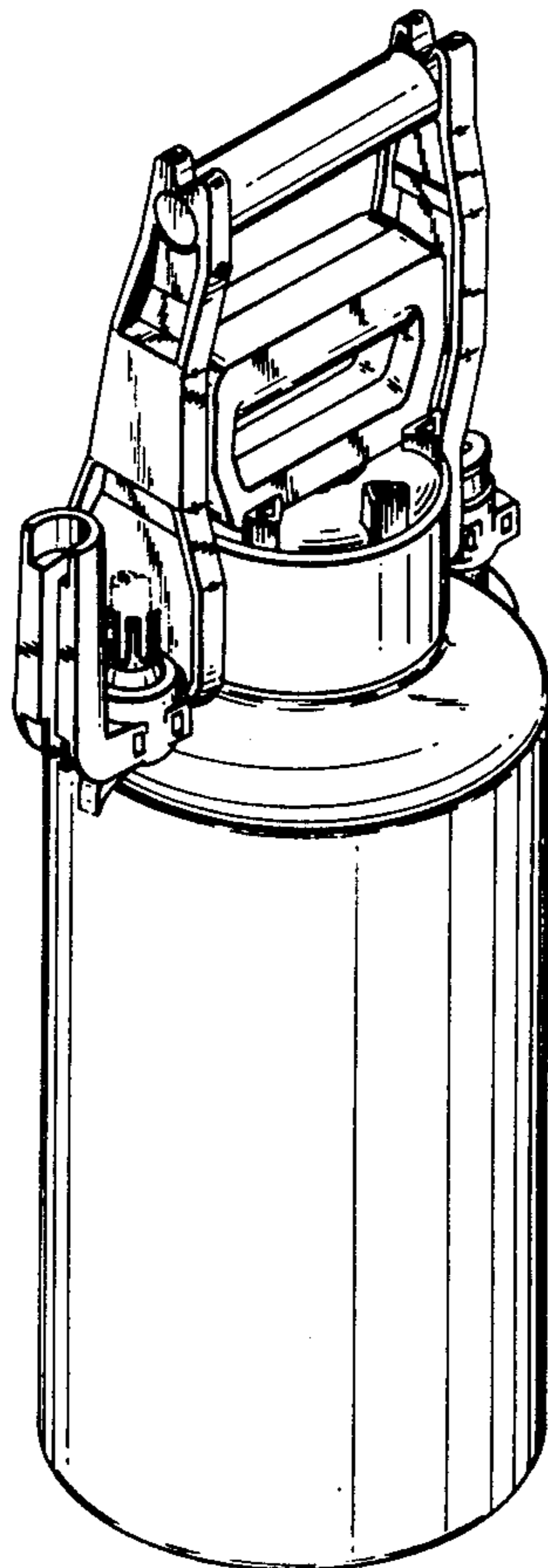


FIG. 1

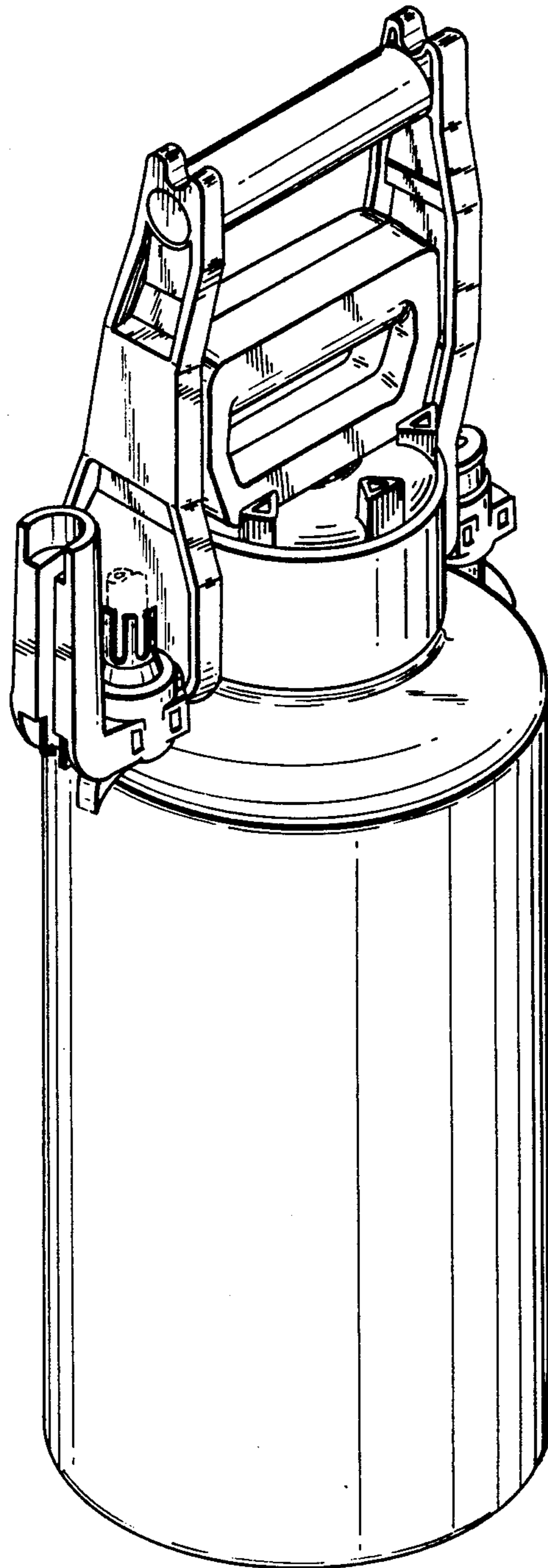


FIG. 2

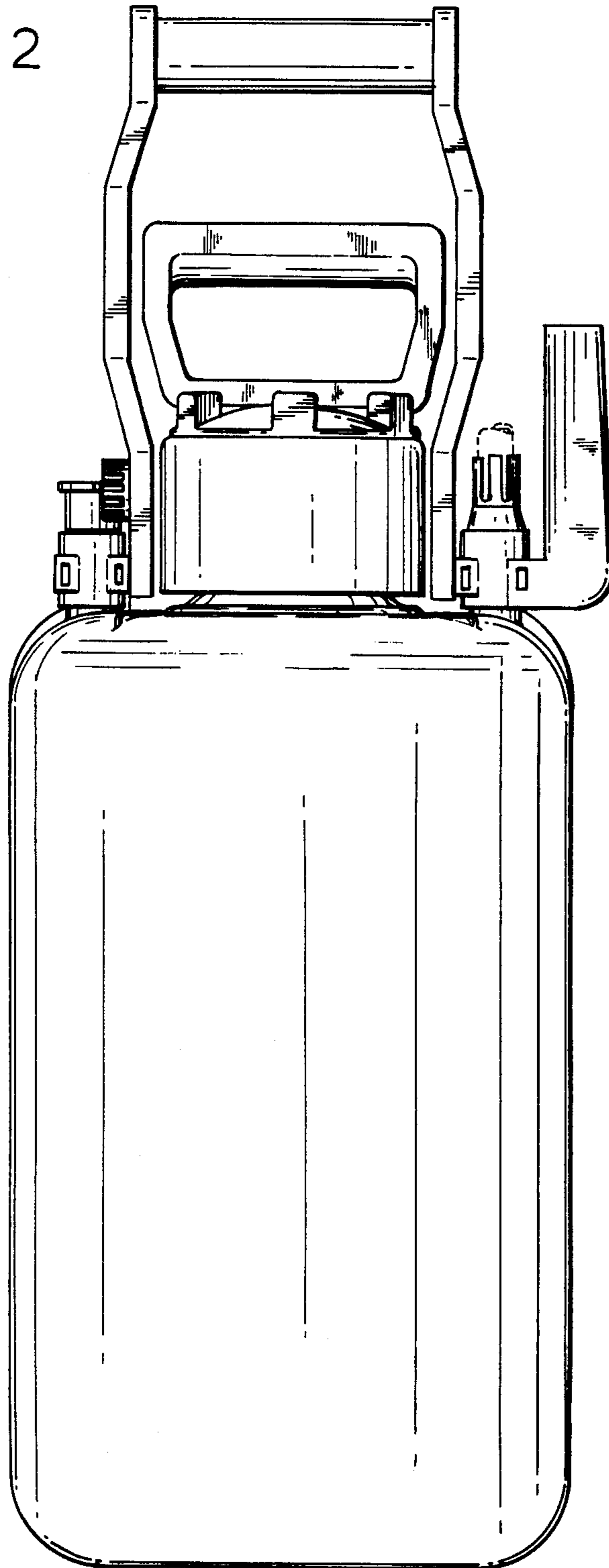


FIG. 3

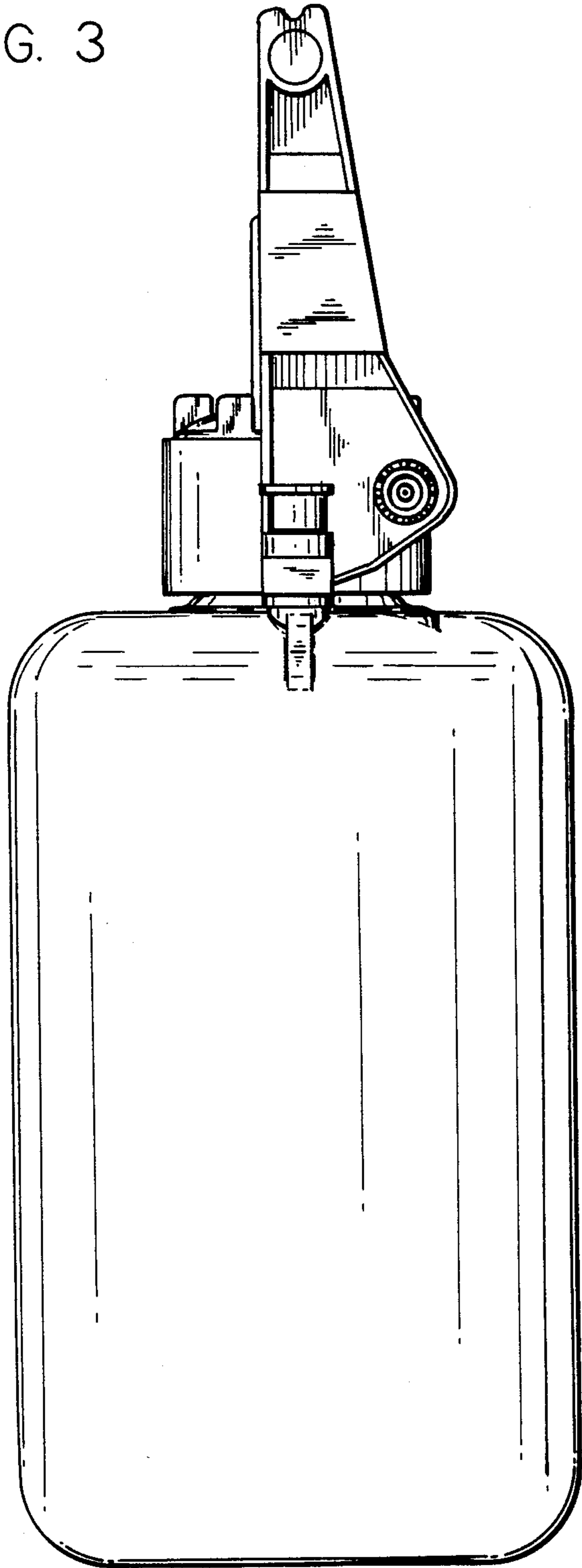


FIG. 4

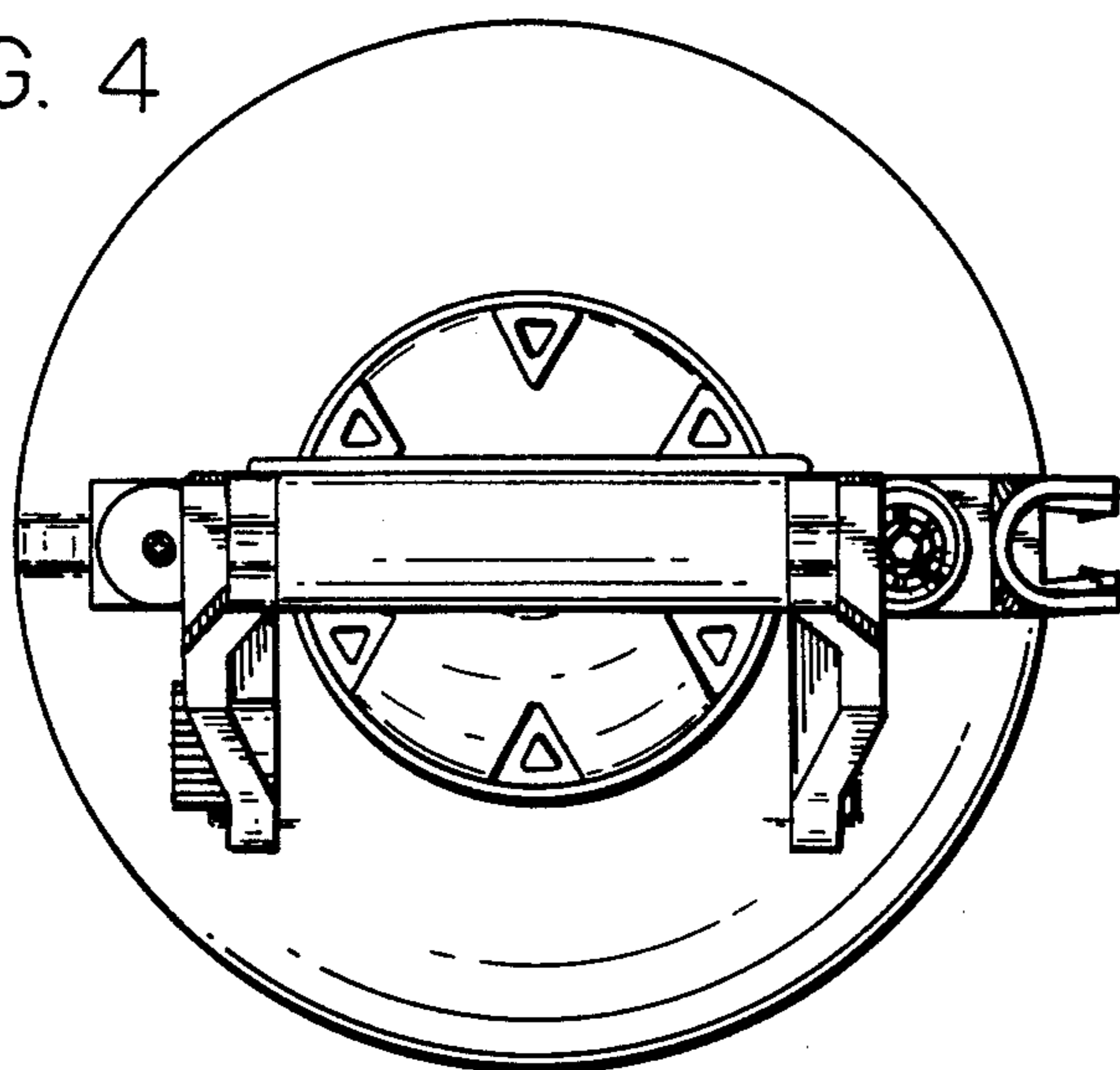


FIG. 5

