

[54] TOY TRUCK

[75] Inventor: John A. Pape, Clifton, England

[73] Assignee: Hilary Page "Sensible" Toys Limited,
Kenley, England

[**] Term: 14 Years

[21] Appl. No.: 889,129

[22] Filed: Mar. 22, 1978

[30] Foreign Application Priority Data

Dec. 28, 1977 [GB] United Kingdom 982741/77

[51] Int. Cl. D21-01
[52] U.S. Cl. D21/134
[58] Field of Search D21/128, 132, 134, 135,
D21/136, 140, 141, 78; 46/201, 202, 204, 206,
207, 210, 211, 212, 213, 214, 221, 222, 223

[56] References Cited

U.S. PATENT DOCUMENTS

D. 175,742 10/1955 Ruiz et al. D21/140
D. 248,119 6/1978 Nix et al. D21/134
1,952,442 3/1934 Korte 46/223

FOREIGN PATENT DOCUMENTS

15370 11/1955 Fed. Rep. of Germany 46/201

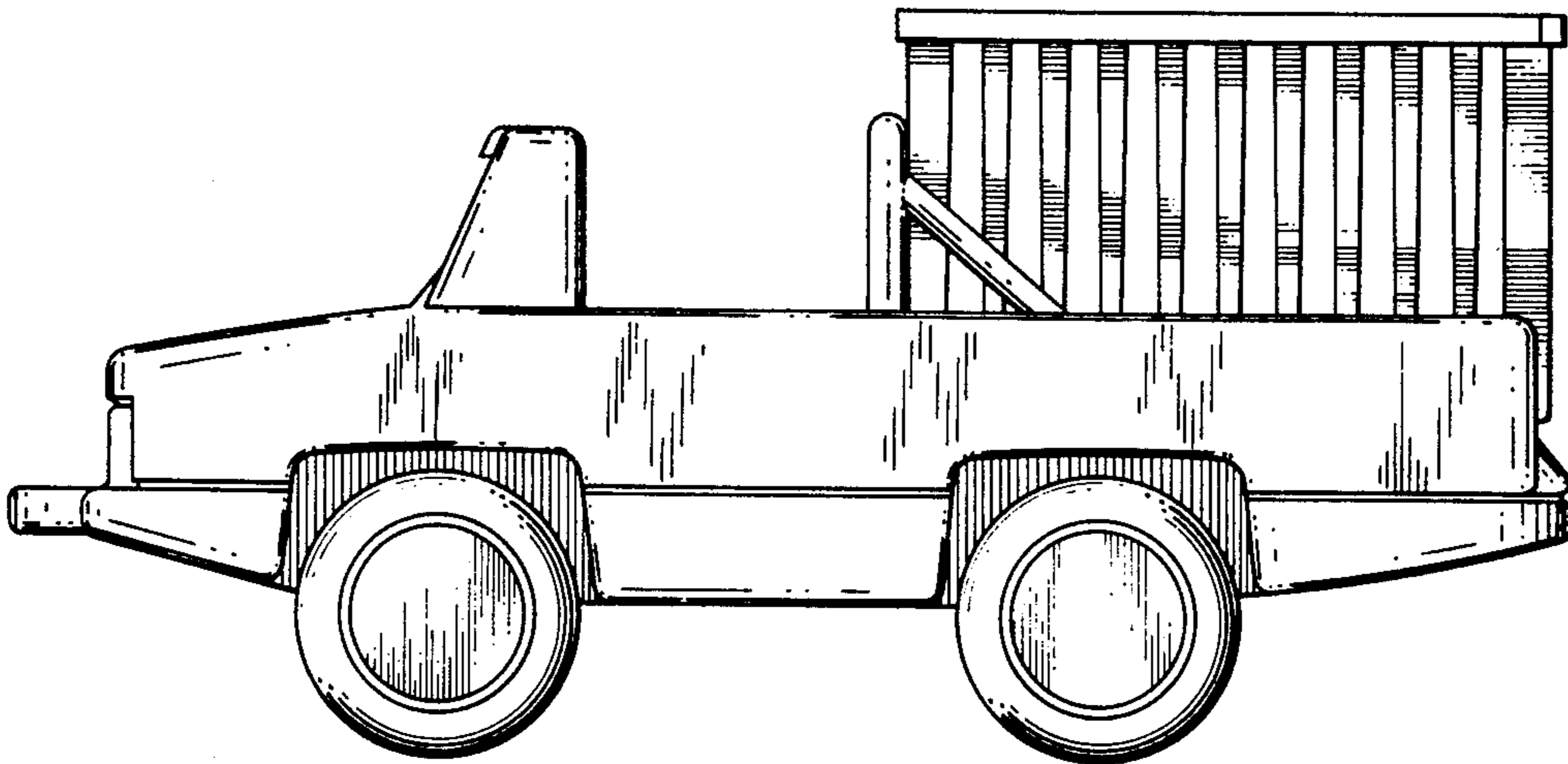
Primary Examiner—Charles A. Rademaker
Attorney, Agent, or Firm—Emory L. Groff, Jr.

[57] CLAIM

The ornamental design for a toy truck, as shown and described.

DESCRIPTION

FIG. 1 is a side elevational view of a toy truck showing my new design;
FIG. 2 is a top plan view thereof;
FIG. 3 is a front elevational view thereof;
FIG. 4 is a rear elevational view thereof; and
FIG. 5 is a bottom plan view thereof.
The side opposite that shown in FIG. 1 is a mirror image thereof.



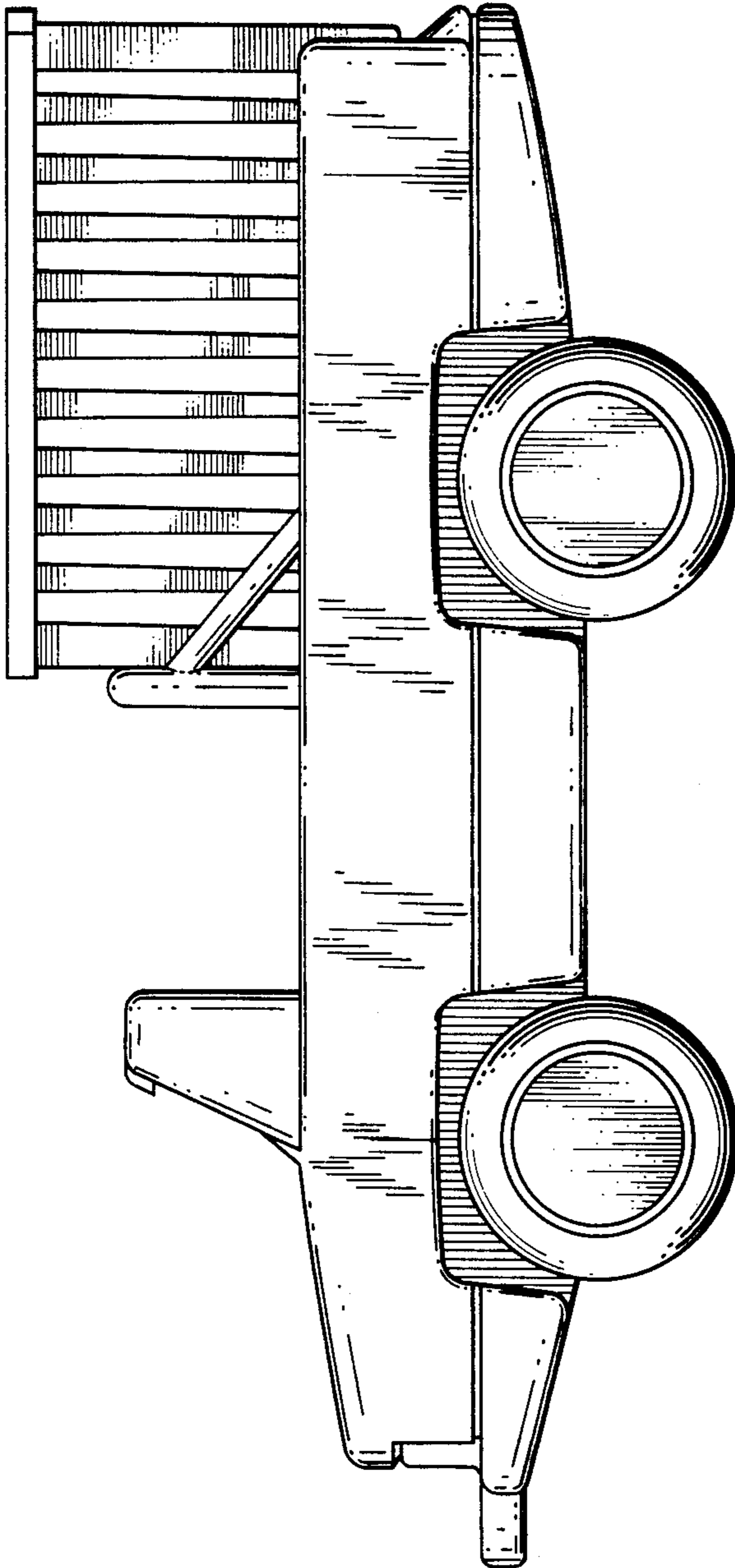


FIG. 1.

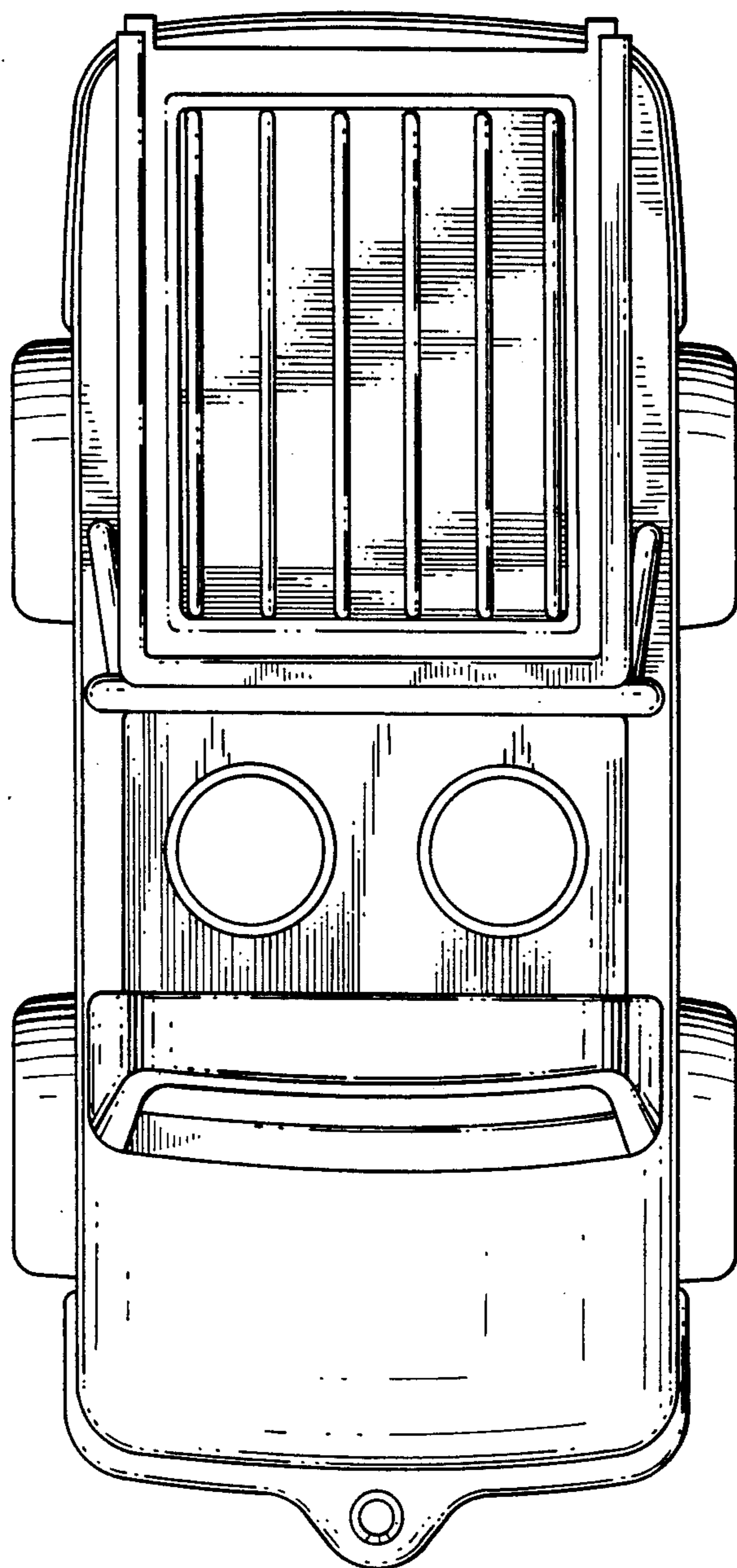


FIG. 2.

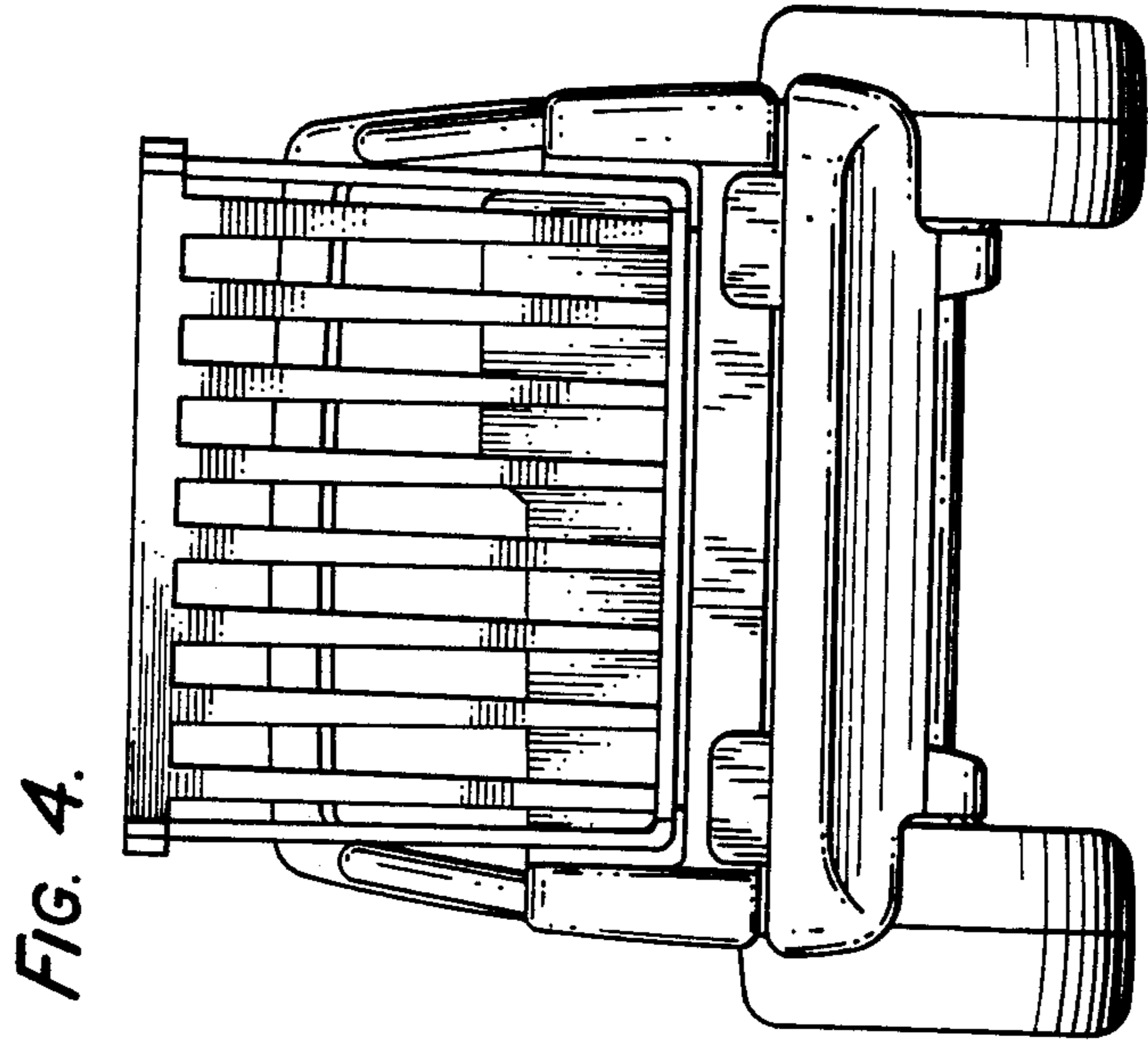


FIG. 4.

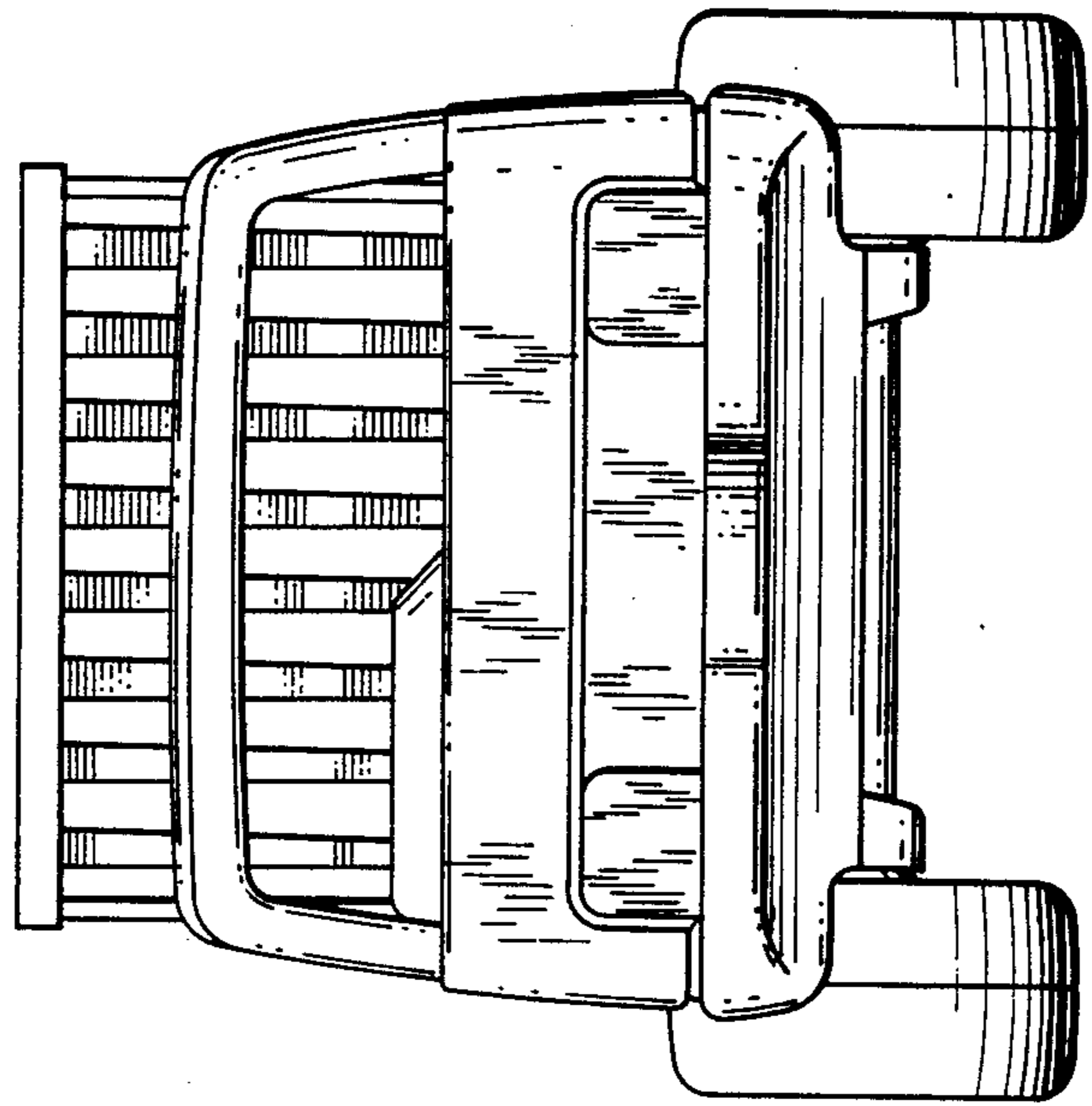


FIG. 3.

FIG. 5.

