

[54] TOY FIRE TRUCK

[56]

References Cited

U.S. PATENT DOCUMENTS

[75] Inventor: John A. Pape, Clifton, England

D. 137,299	2/1944	Stough .....	D21/133
D. 205,529	8/1966	Palmer .....	D21/133
D. 216,821	3/1970	Perhacs .....	D21/134
D. 221,456	8/1971	Henderson .....	D21/133

[73] Assignee: Hilary Page "Sensible" Toys Limited, Kenley, England

Primary Examiner—Charles A. Rademaker  
Attorney, Agent, or Firm—Emory L. Groff, Jr.

[\*\*] Term: 14 Years

[57]

CLAIM

[21] Appl. No.: 872,353

The ornamental design for a toy fire truck, as shown.

DESCRIPTION

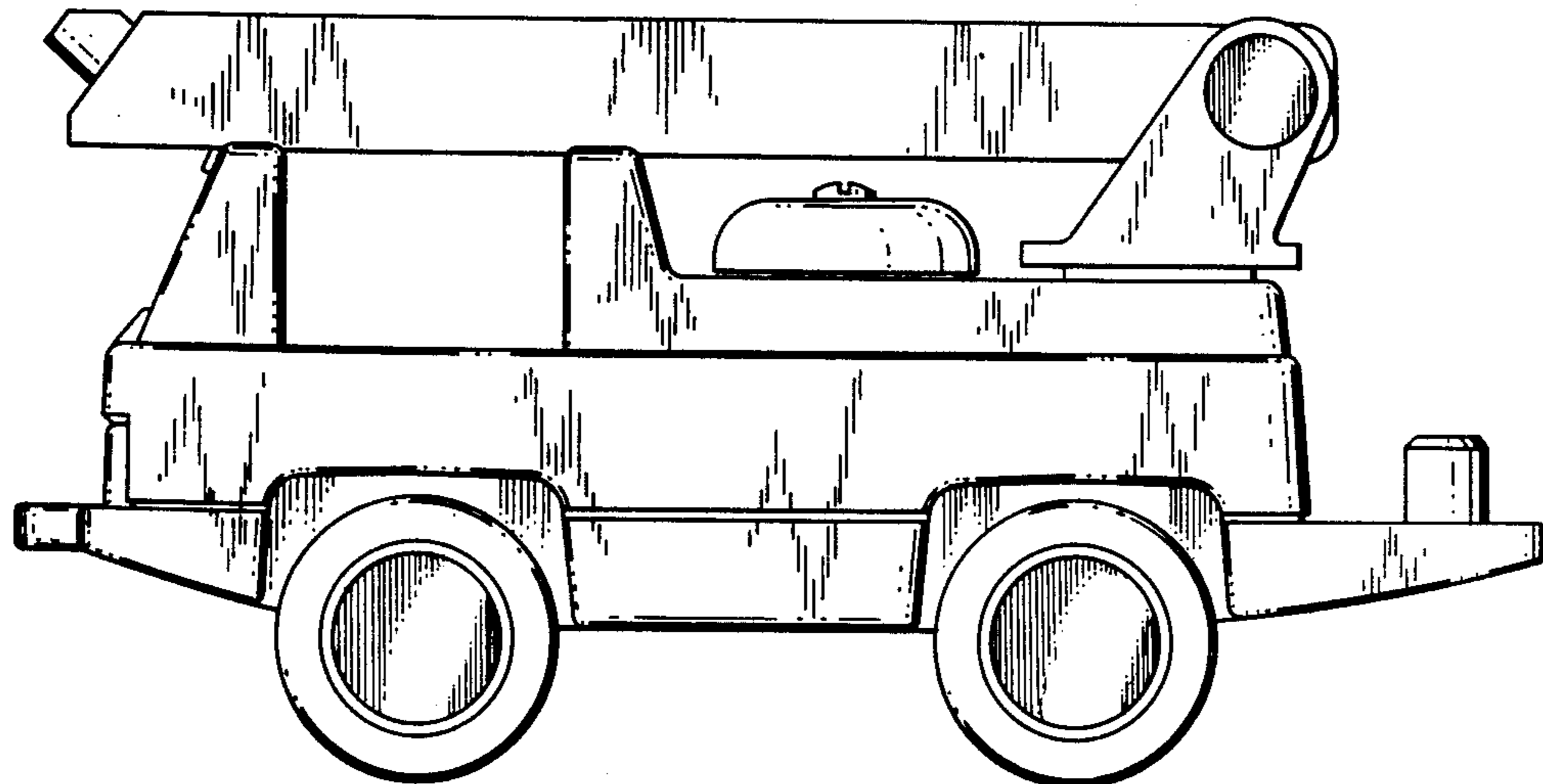
[22] Filed: Jan. 24, 1978

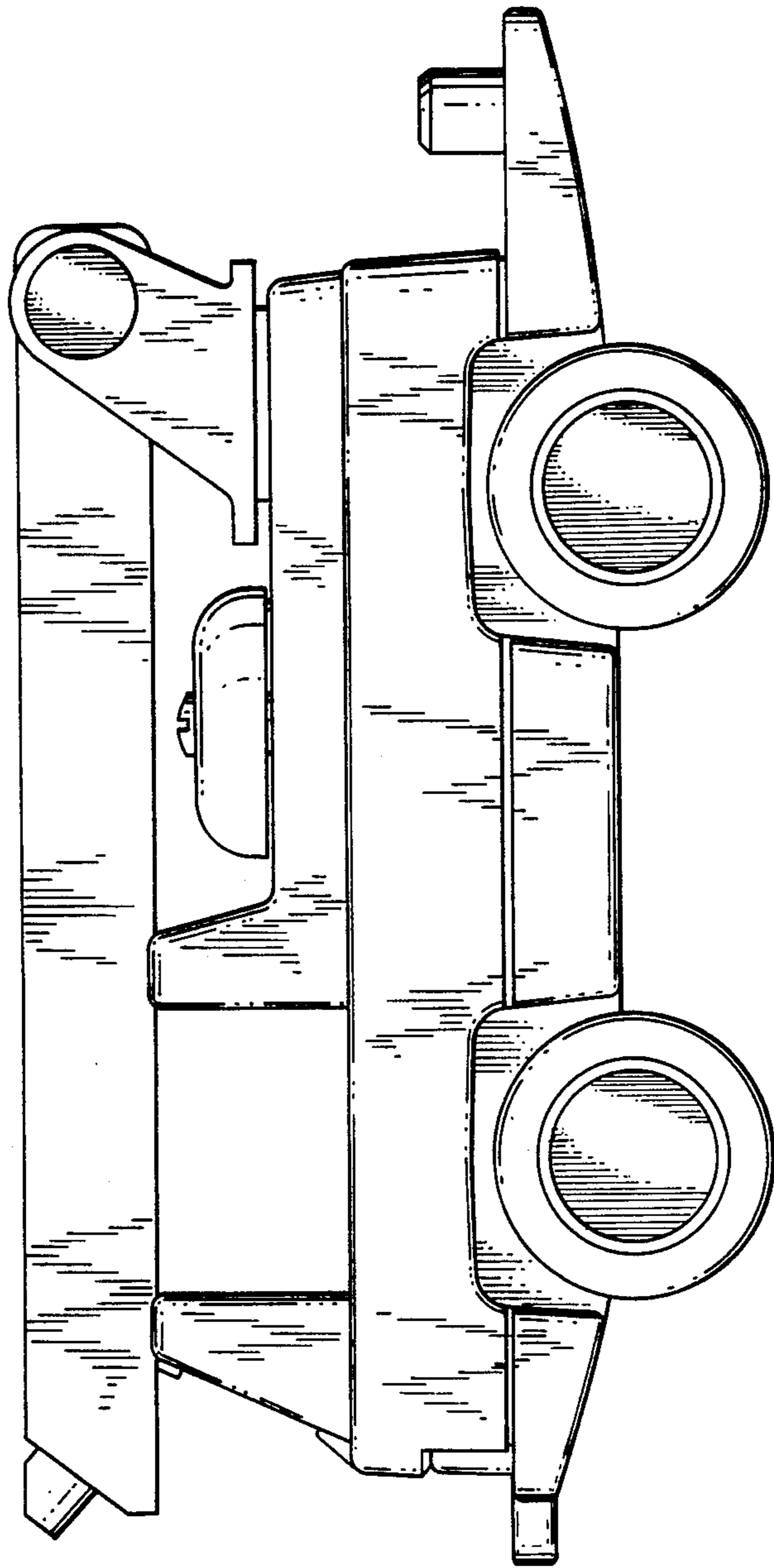
FIG. 1 is a side elevational view of a toy fire truck showing my new design;  
FIG. 2 is a top plan view thereof;  
FIG. 3 is a front elevational view thereof;  
FIG. 4 is a rear elevational view thereof;  
FIG. 5 is a bottom plan view thereof; and  
FIG. 6 is a front perspective view thereof shown on a slightly reduced scale.

[51] Int. Cl. .... D21-01

[52] U.S. Cl. .... D21/133

[58] Field of Search ..... D21/109, 128, 133, 134, D21/136, 137, 138, 139, 141, 64, 78; 46/201, 202, 204, 206, 215, 221, 222, 223





*FIG. 1.*

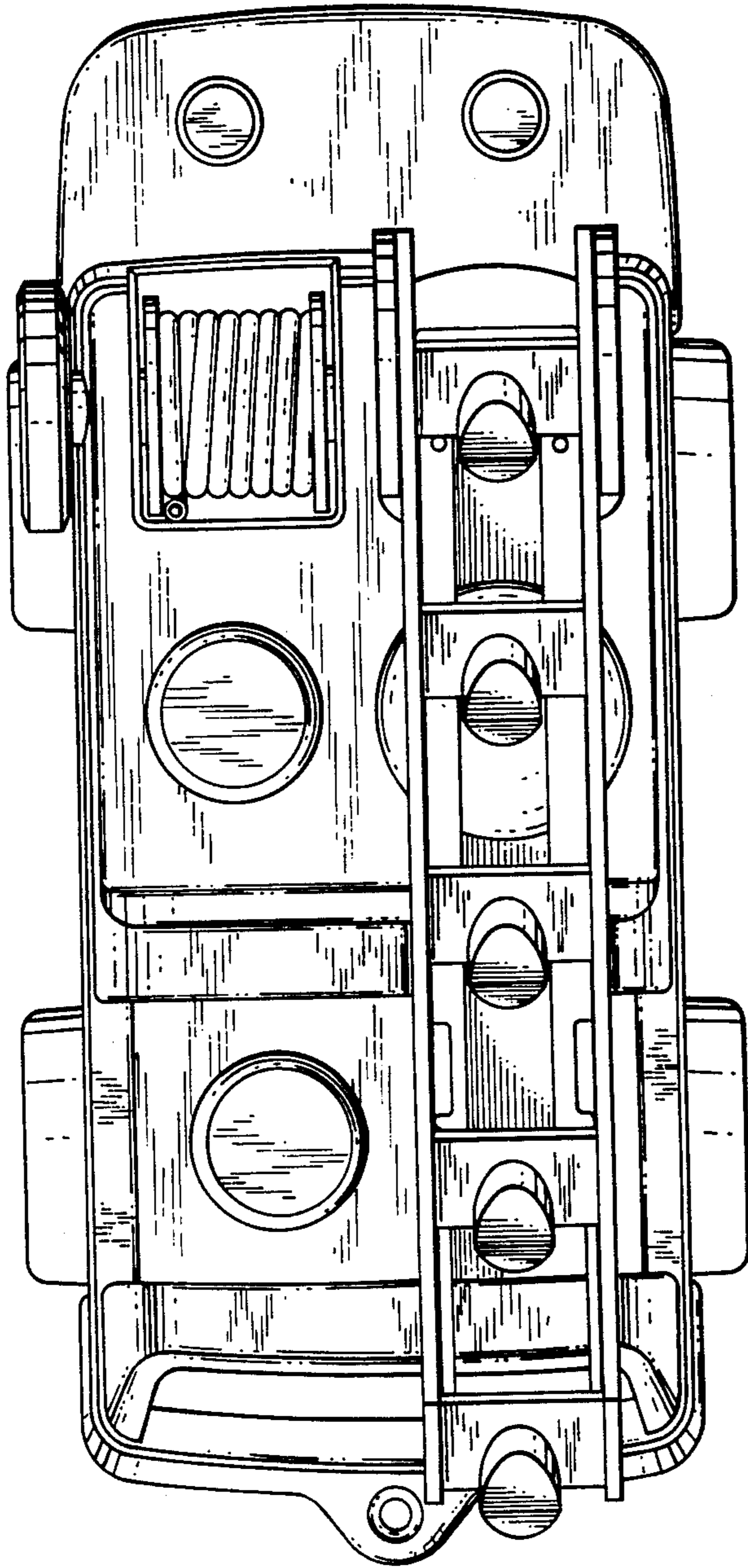
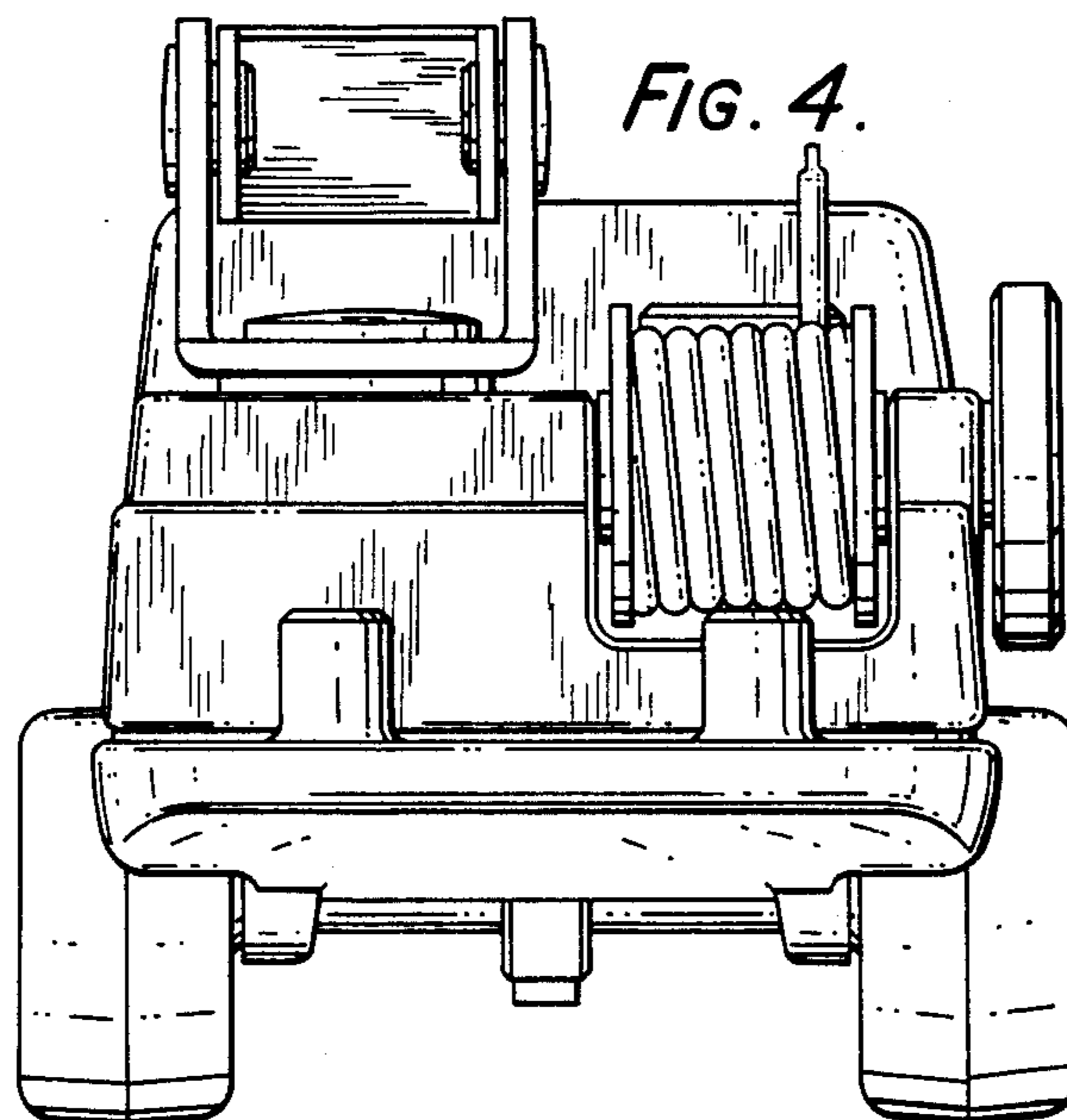
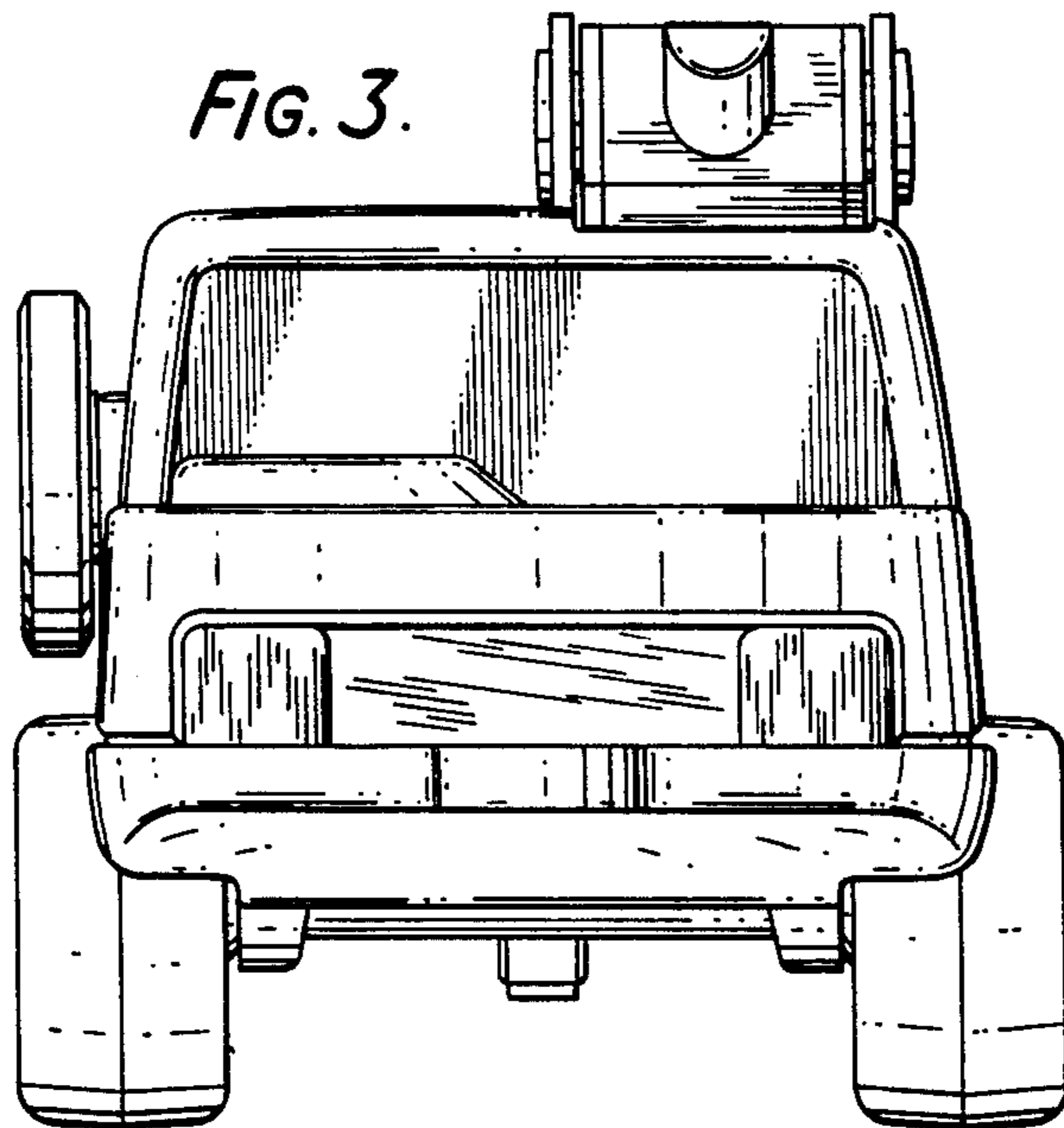
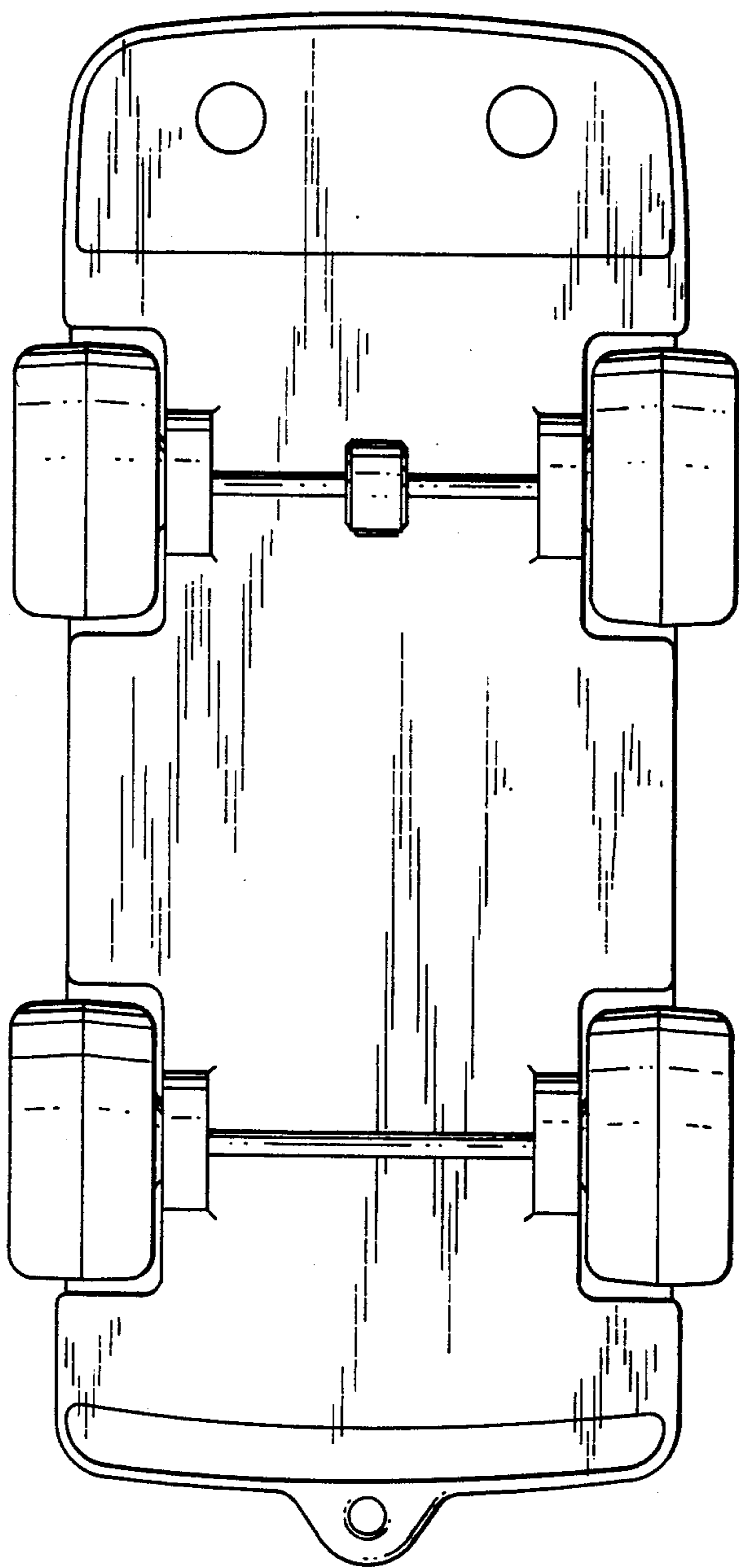


FIG. 2.





*FIG. 5.*

*FIG. 6.*

