

[54] COMBINED AIRPLANE AND CONTROL PANEL TOY

[75] Inventor: Toyotsugu Ogasawara, Tateishi, Japan  
[73] Assignee: Tomy Kogyo Co. Ltd., Tokyo, Japan  
[\*\*] Term: 14 Years  
[21] Appl. No.: 907,292  
[22] Filed: May 18, 1978

[51] Int. Cl. .... D21-01  
[52] U.S. Cl. .... D21/90  
[58] Field of Search ..... D21/87, 88, 90, 91;  
46/74, 75, 76 R, 76 A, 77, 78; D12/71; 244/154,  
155 R

[56] References Cited

U.S. PATENT DOCUMENTS

D. 75,770	7/1928	Berger .....	D21/90
D. 189,584	1/1961	Robbins .....	D21/90
2,114,212	4/1938	Christiansen .....	46/79
3,556,520	1/1971	Hunt .....	46/74 R

OTHER PUBLICATIONS

Tree Top Toy Catalog, 2-1976, p. 9, "Biplane" toy fair box-1976.

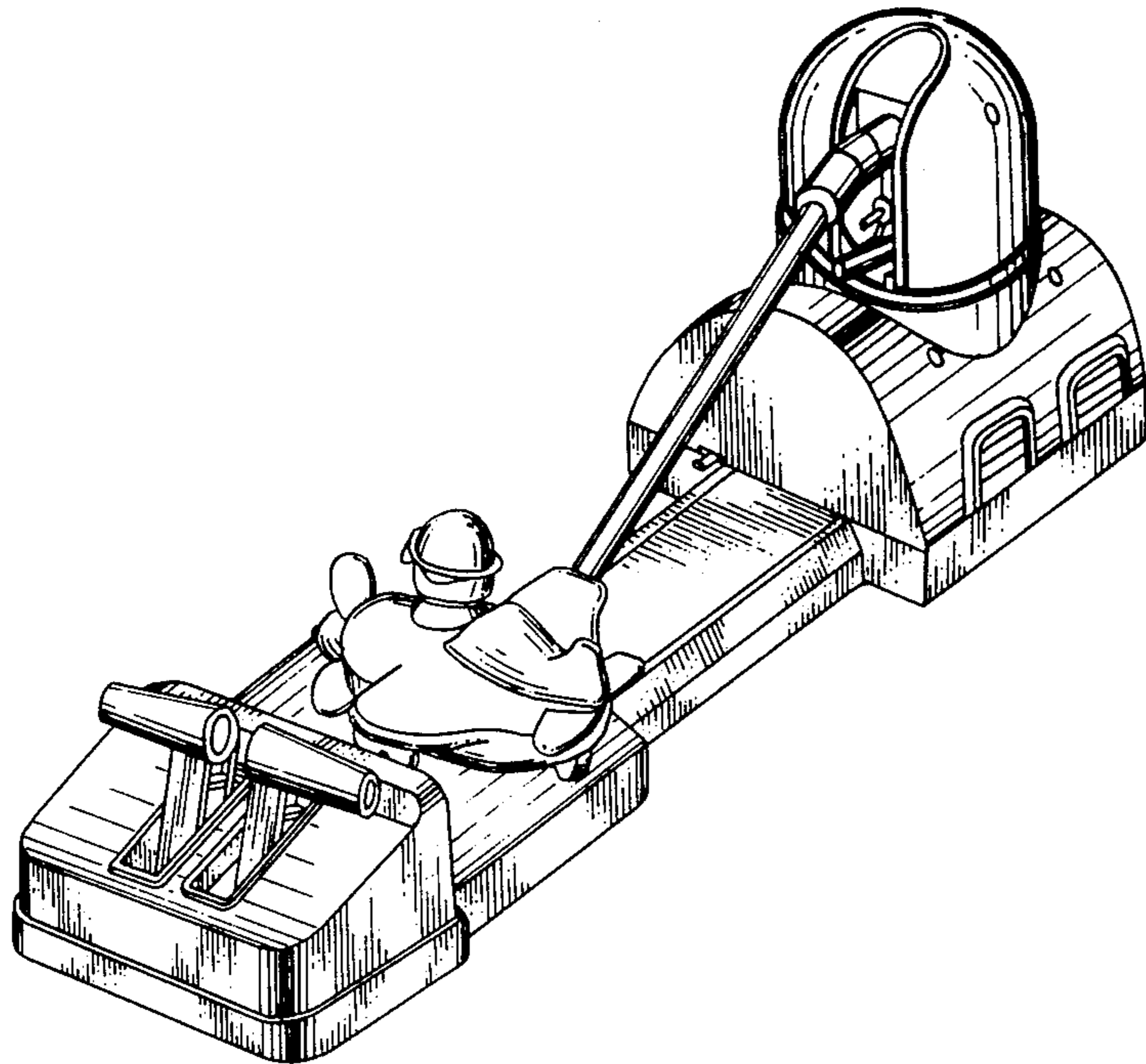
Primary Examiner—Charles A. Rademaker

[57] CLAIM

The ornamental design for a combined airplane and control panel toy, as shown.

DESCRIPTION

FIG. 1 is a perspective view of a combined airplane and control panel toy showing my new design; FIG. 2 is a front elevational view thereof; FIG. 3 is a rear elevational view thereof; FIG. 4 is a top plan view thereof; FIG. 5 is a bottom plan view thereof; FIG. 6 is a left side elevational view thereof; FIG. 7 is a right side elevational view thereof; FIG. 8 is a top plan view thereof with the airplane and control arm member therefor in an alternate condition; and FIG. 9 is a top plan view similar to FIG. 4 but showing the airplane member in an inverted condition.



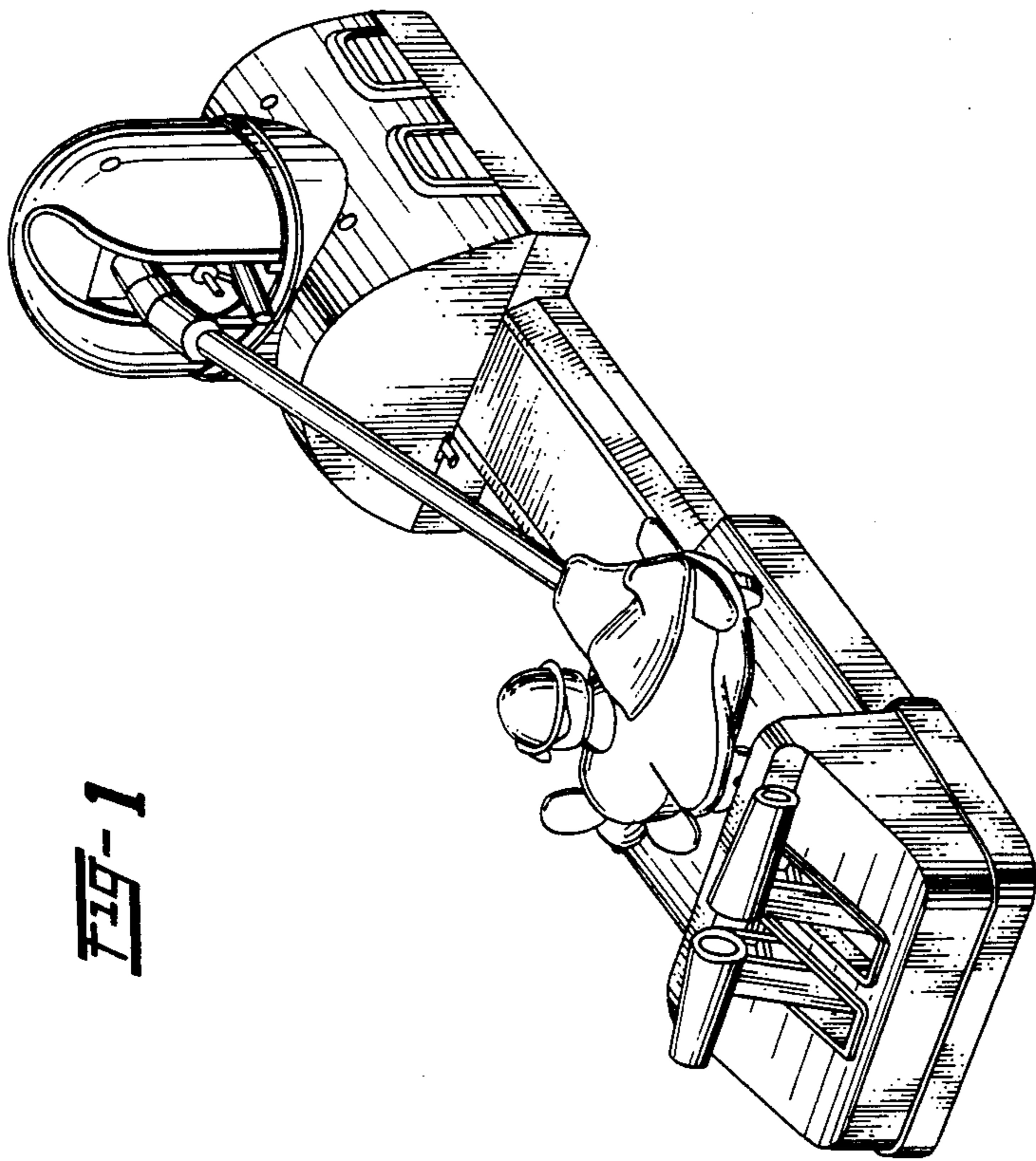
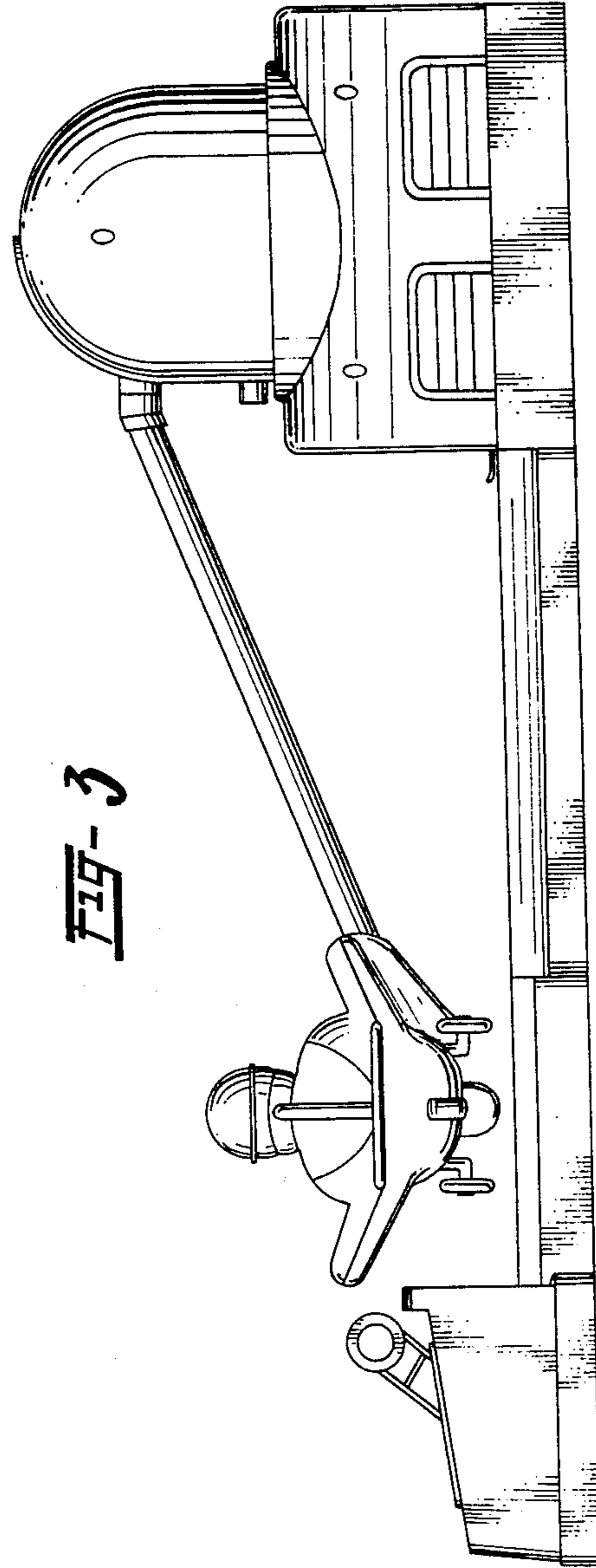
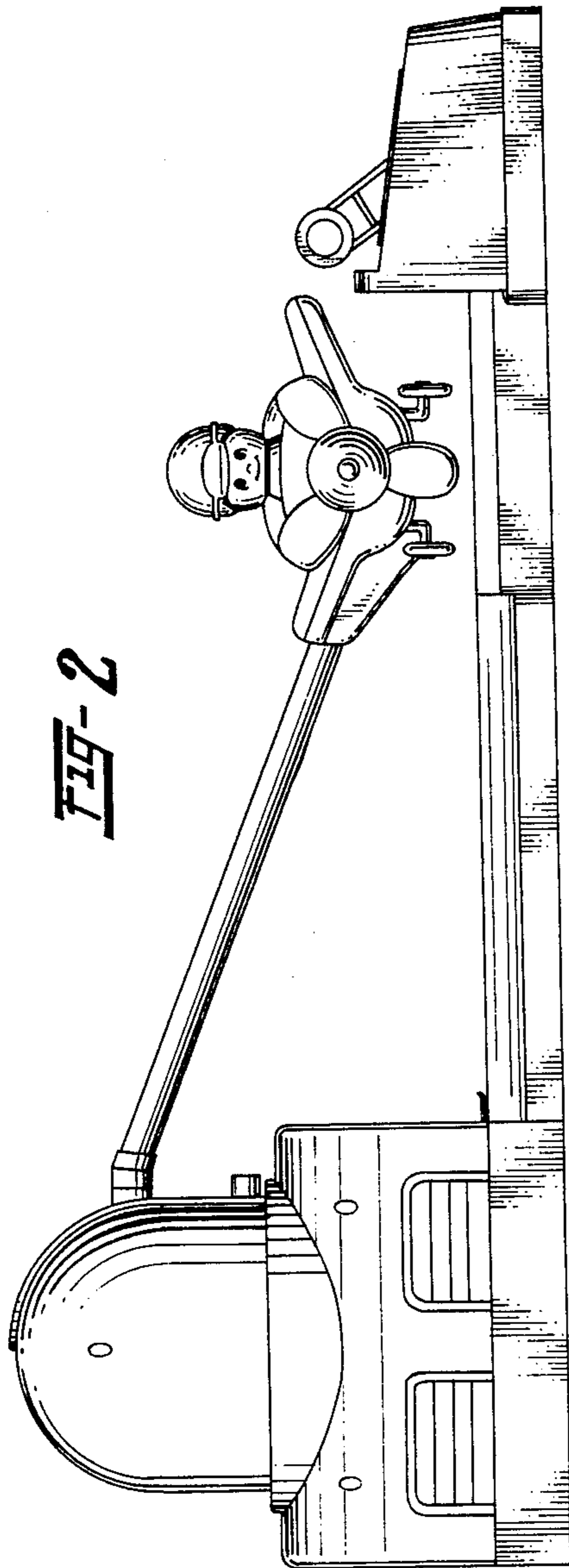
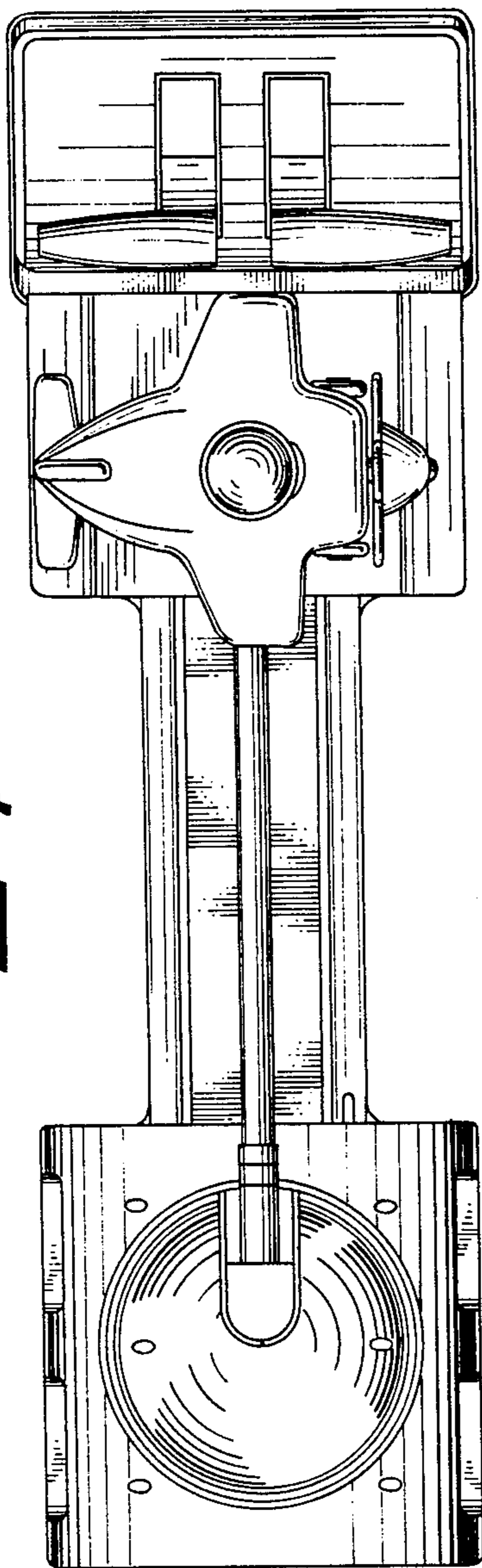


FIG-1



**FIG-4**



**FIG-5**

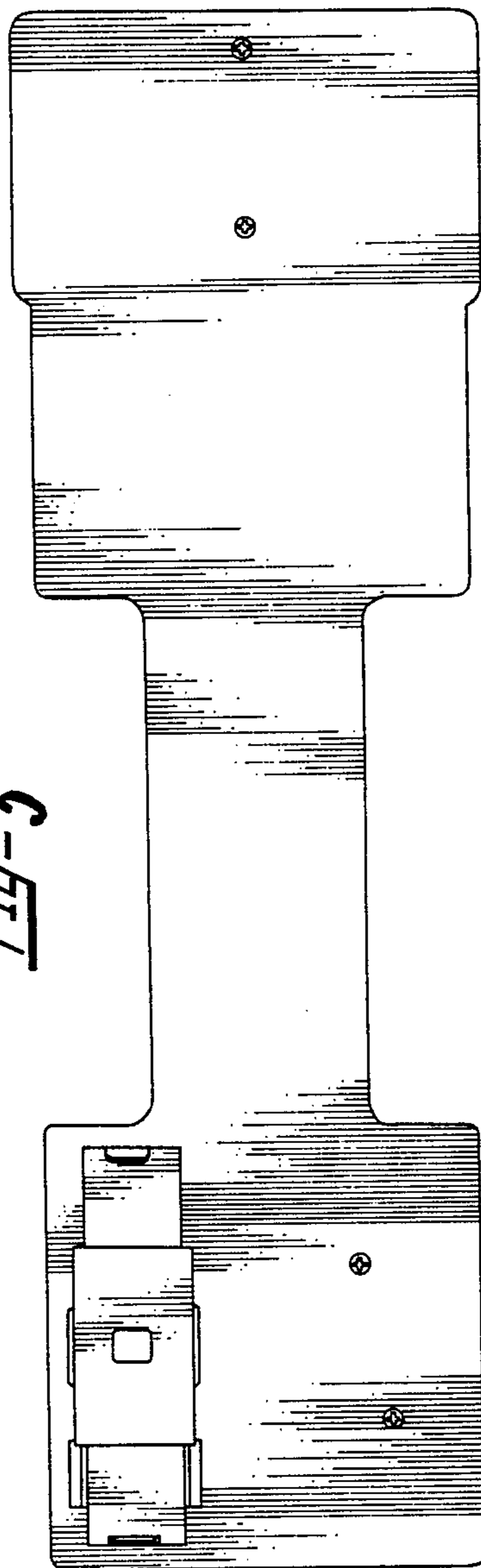


FIG-9

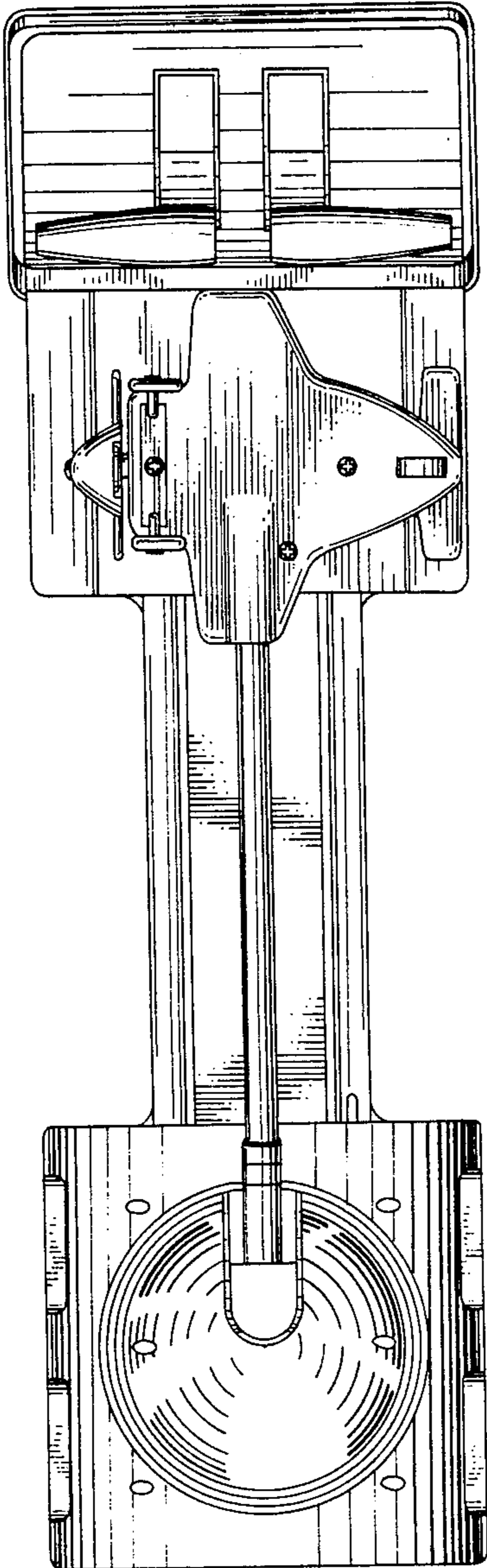


FIG-7

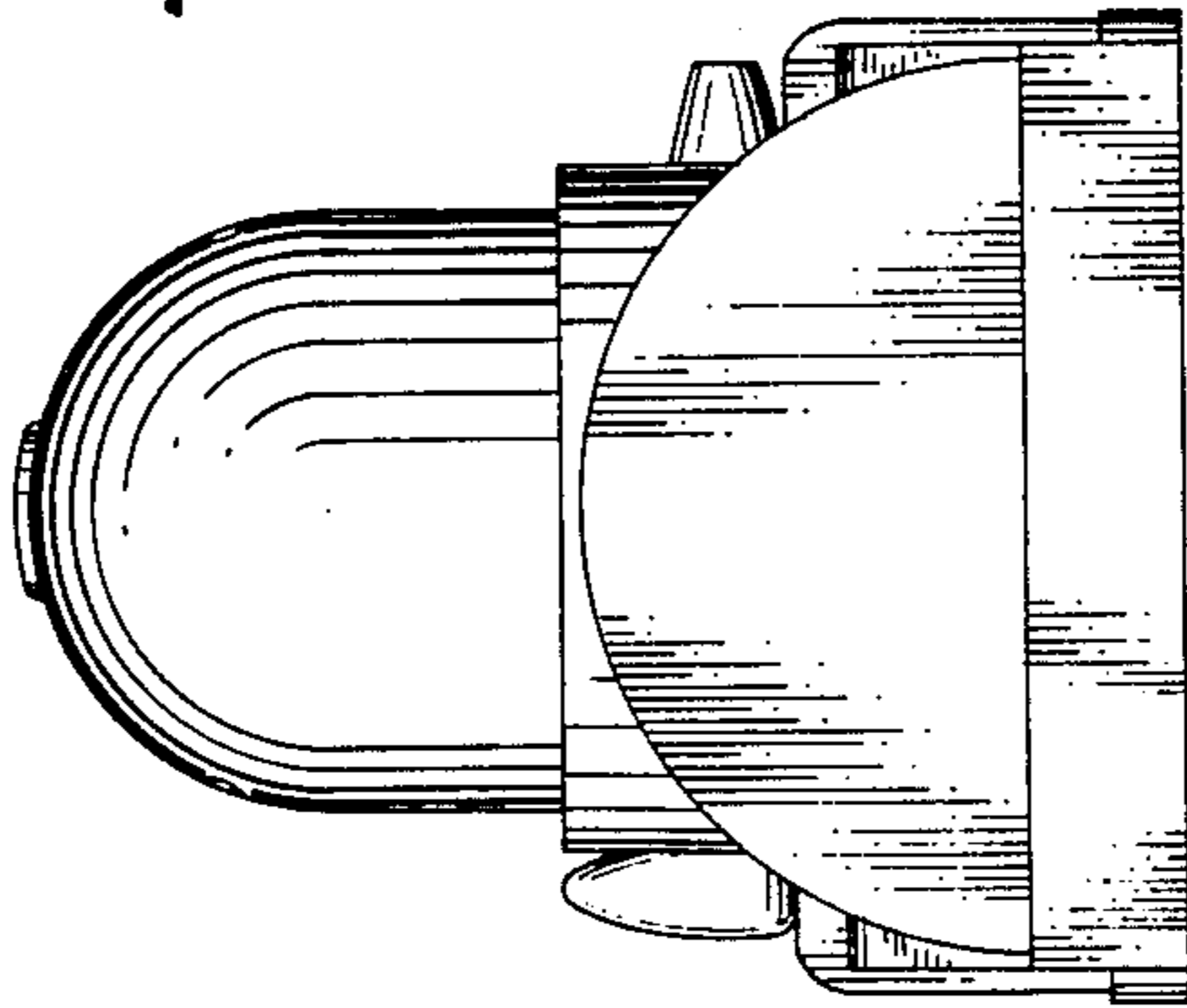


FIG-6

