

[54] DATA CARD SUPPORT AND MAILER MEMBER

[75] Inventors: Donald W. Hewitt, Roseville; David D. Seibel, Bloomington, both of Minn.

[73] Assignee: Data Card Corporation, Minneapolis, Minn.

[\*\*] Term: 14 Years

[21] Appl. No.: 866,833

[22] Filed: Jan. 4, 1978

[51] Int. Cl. .... D19-1

[52] U.S. Cl. .... D19/3

[58] Field of Search ..... D19/1-3, D19/10; 229/92, 92.1, 92.3, 71; 40/156, 158 R

[56] References Cited

U.S. PATENT DOCUMENTS

653,288 7/1900 Dancyger ..... 229/92  
1,043,243 11/1912 Mitchell ..... 229/92.3

1,932,536 10/1933 Standal et al. .... 229/92.1  
2,568,178 9/1951 Widder ..... 40/158 R  
2,637,325 5/1953 McCabe ..... 40/158 R  
2,700,556 1/1955 Holmwood ..... 281/5  
3,107,043 10/1963 Jones ..... 229/92.3  
3,508,702 4/1970 Kaiser ..... 229/71

FOREIGN PATENT DOCUMENTS

3227 of 1870 United Kingdom ..... 229/92  
1428772 3/1976 United Kingdom .

Primary Examiner—George P. Word  
Attorney, Agent, or Firm—Staas and Halsey

[57] CLAIM

The ornamental design for a data card support and mailer member, as shown and described.

DESCRIPTION

FIG. 1 is a perspective view of a data card support and mailer member showing our new design; FIG. 2 is a front elevational view thereof.

The opposite sides of the data card support and mailer member are mirror images of the showing in FIGS. 1 and 2.

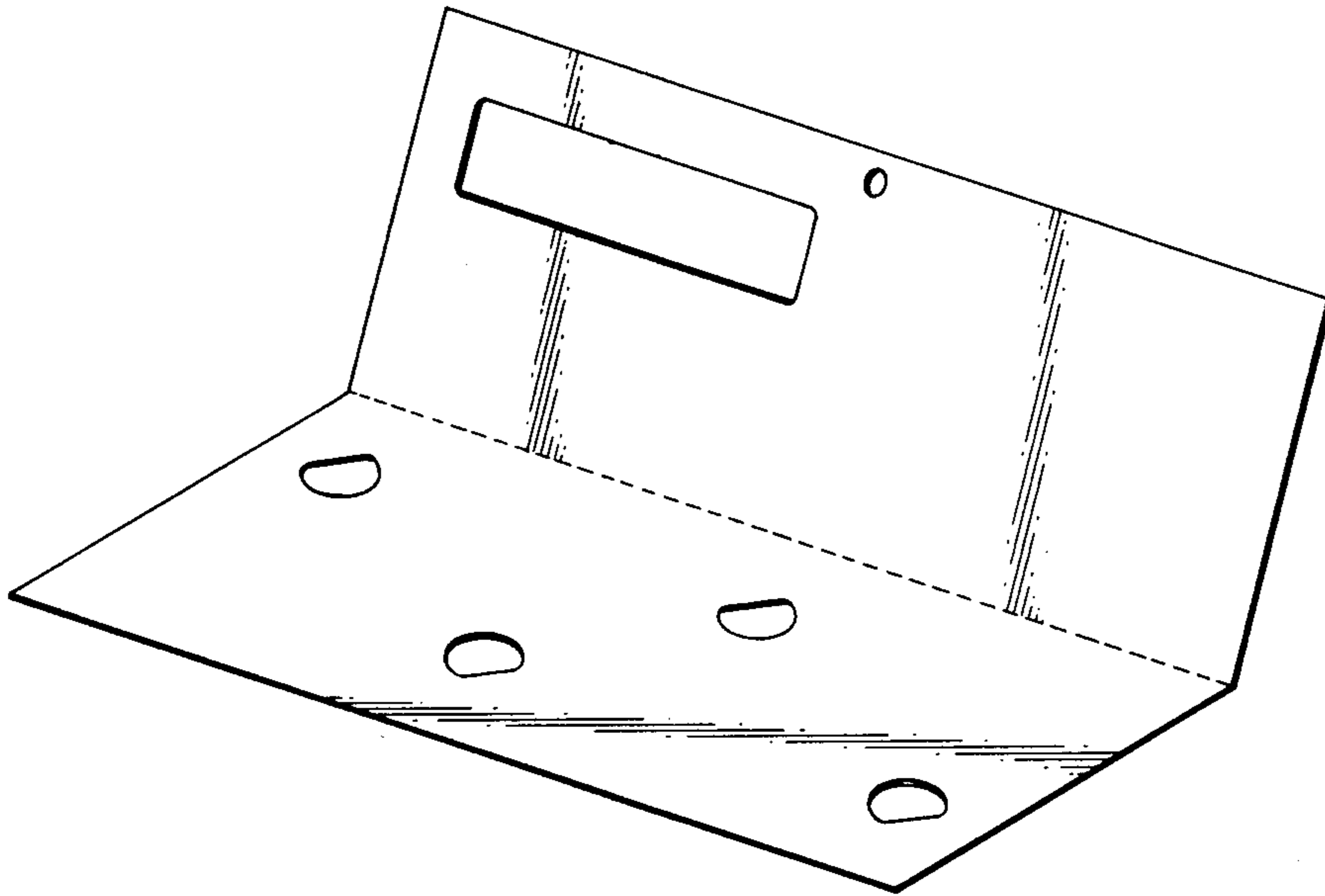


FIG. 1.

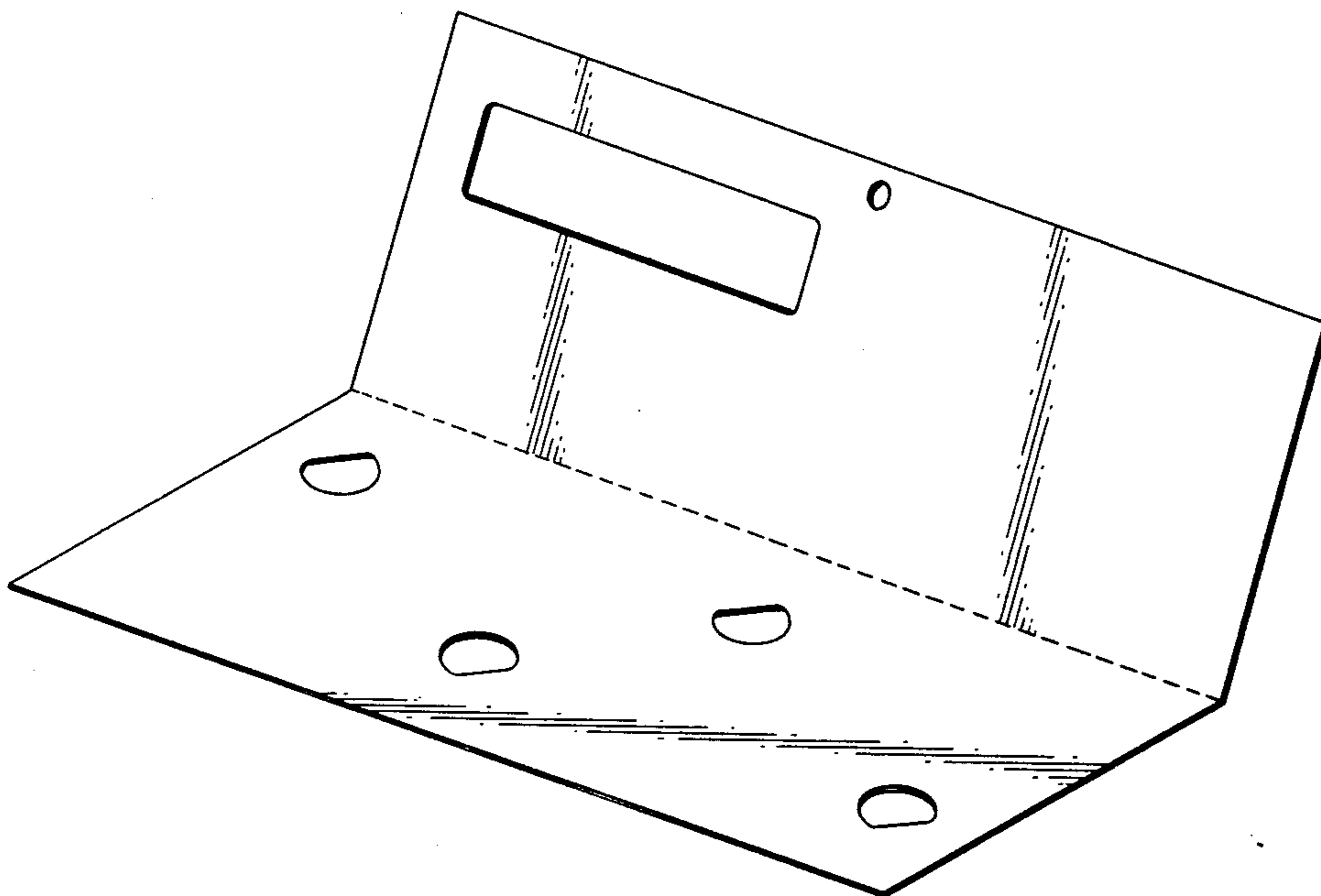


FIG. 2.

