

[54] DATA CARD SUPPORT AND MAILER MEMBER

[75] Inventors: Donald W. Hewitt, Roseville; David D. Seibel, Bloomington, both of Minn.

[73] Assignee: Data Card Corporation, Minneapolis, Minn.

[**] Term: 14 Years

[21] Appl. No.: 866,830

[22] Filed: Jan. 4, 1978

[51] Int. Cl. D19-01

[52] U.S. Cl. D19/3

[58] Field of Search D19/1-3, D19/10; 229/92, 92.1, 92.3, 71; 40/156, 158 R

[56] References Cited

U.S. PATENT DOCUMENTS

| | | | | |
|-----------|---------|----------------|-------|----------|
| 1,043,243 | 11/1912 | Mitchell | | 229/92.3 |
| 1,932,536 | 10/1933 | Standal et al. | | 229/92.1 |

| | | | | |
|-----------|---------|----------|-------|----------|
| 2,568,178 | 9/1951 | Widder | | 40/158 R |
| 2,637,325 | 5/1953 | McCabe | | 40/158 R |
| 2,700,556 | 1/1955 | Holmwood | | 281/5 |
| 3,107,043 | 10/1963 | Jones | | 229/92.3 |
| 3,508,702 | 4/1970 | Kaiser | | 229/71 |
| 3,999,700 | 12/1976 | Chalmers | | 229/71 |

FOREIGN PATENT DOCUMENTS

| | | | | |
|---------|---------|----------------|-------|--------|
| 3227 | of 1870 | United Kingdom | | 229/92 |
| 1428772 | 3/1976 | United Kingdom | . | |

Primary Examiner—George P. Word
Attorney, Agent, or Firm—Staas and Halsey

[57] CLAIM

The ornamental design for a data card support and mailer member, as shown and described.

DESCRIPTION

FIG. 1 is a perspective view of a data card support and mailer member showing our new design; FIG. 2 is a front elevational view thereof. The opposite sides of the data card support and mailer member are mirror images of the showing in FIGS. 1 and 2.

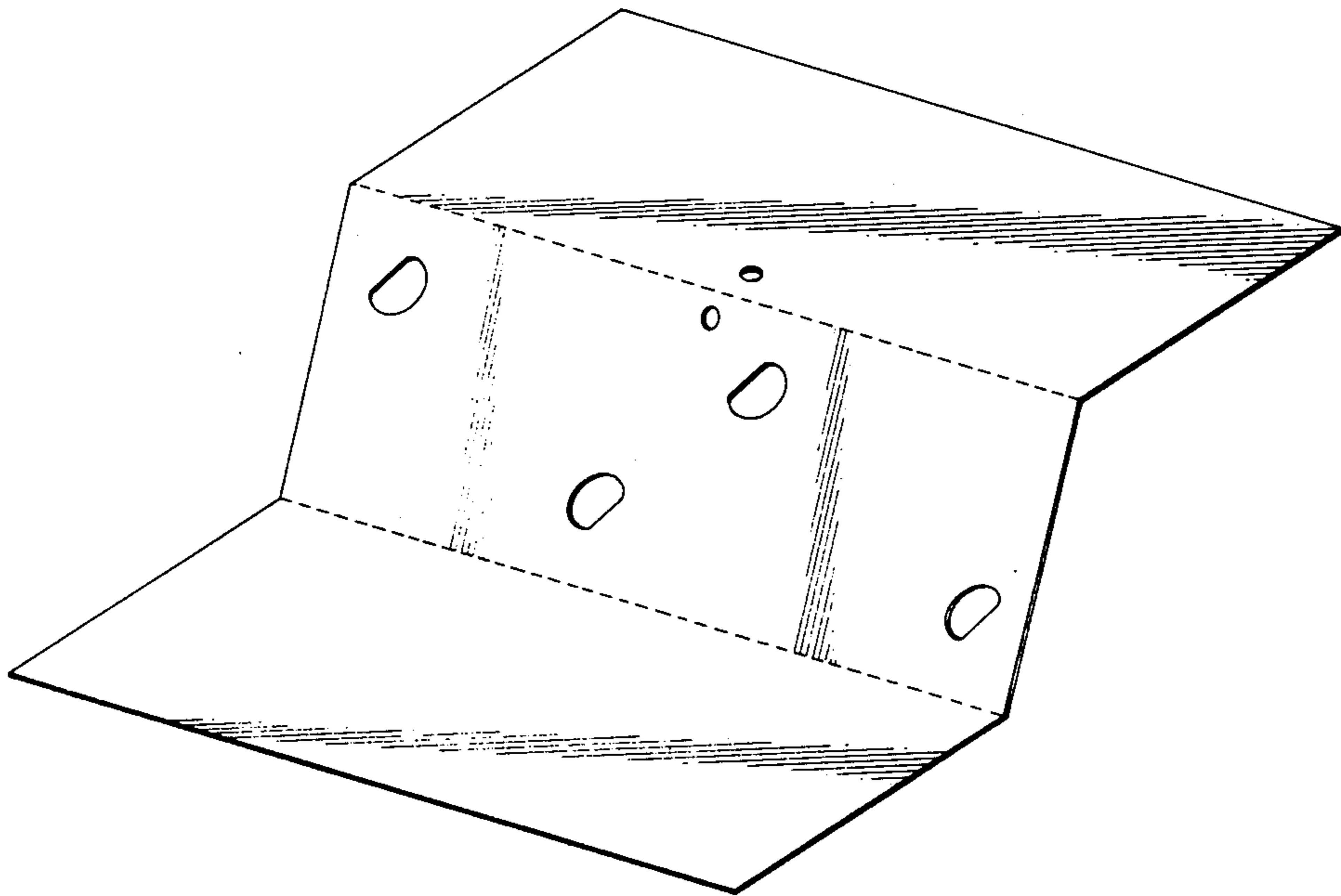


FIG. 1.

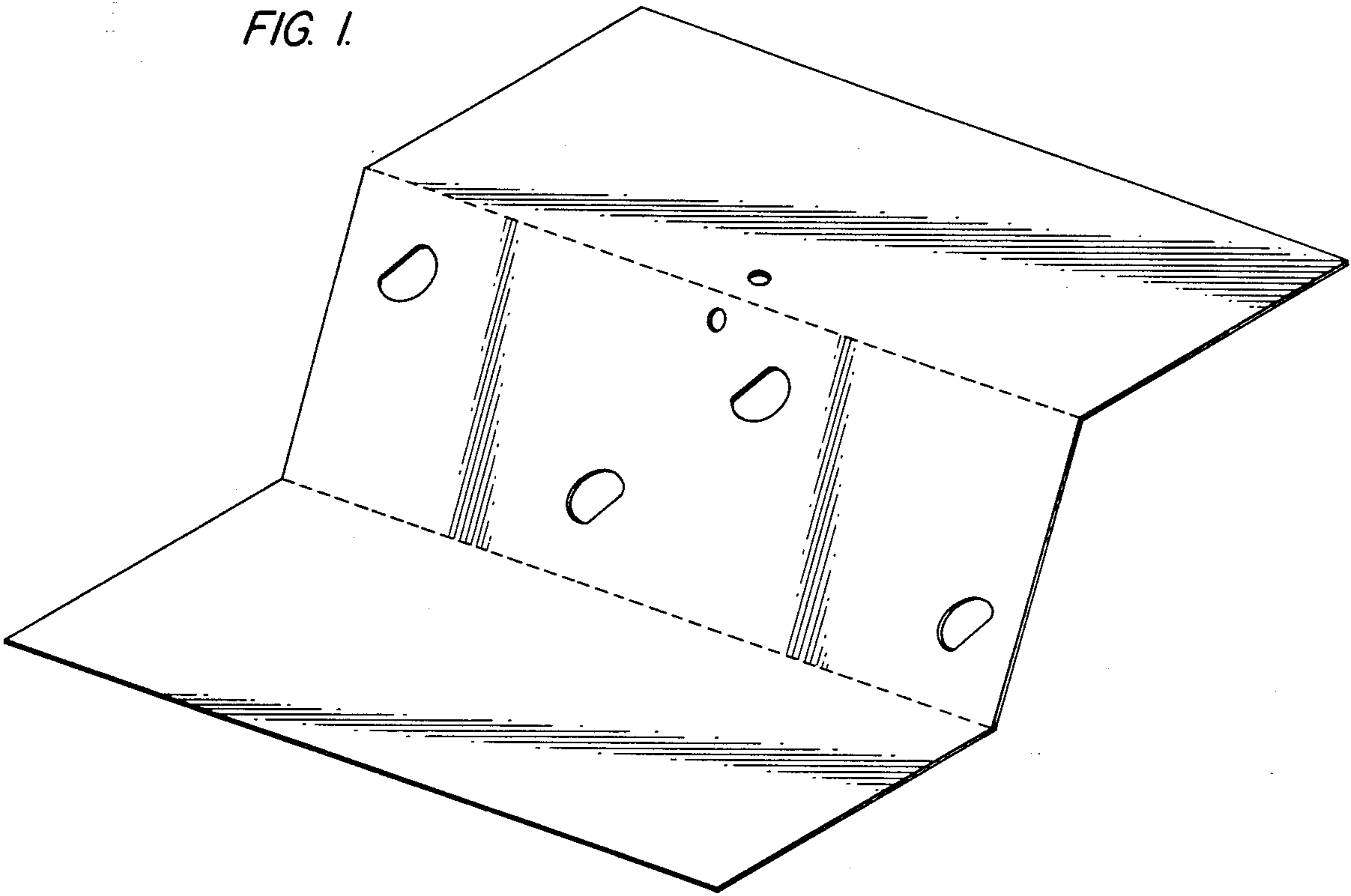


FIG. 2.

