

[54] MUSIC BOX

[76] Inventor: Chong T. Ahn, 923 Fulton Ave., San Leandro, Calif. 94577

[\*\*] Term: 14 Years

[21] Appl. No.: 885,787

[22] Filed: Mar. 13, 1978

[51] Int. Cl. .... D17-05

[52] U.S. Cl. .... D17/24

[58] Field of Search ..... D17/24, 99; D21/64, D21/134, 183; D11/83

References Cited

U.S. PATENT DOCUMENTS

- D. 164,003 7/1951 Kelley ..... D17/24
- D. 165,587 1/1952 Kaufman ..... D17/24 X

OTHER PUBLICATIONS

Japanese Illustration, E. F. Strange, 2nd Ed. pub'd. 1904, p. "15", Nishikawa Sukenobu.

McCall's 12-59 Novelty & Needlework Patterns Cat., p. 311, Pattern #1890, "B", Costume. Webster's New Collegiate Dictionary, ©79, p. 988, upper right corner illustration, "ricksha".

Primary Examiner—Jane E. Corrigan  
Attorney, Agent, or Firm—Robert E. Wickersham

[57] CLAIM

The ornamental design for music box, substantially as shown and described.

DESCRIPTION

FIG. 1 is a front elevational view of a music box showing my new design;  
 FIG. 2 is a rear elevational view;  
 FIG. 3 is a left side elevational view;  
 FIG. 4 is a right side elevational view;  
 FIG. 5 is a top plan view, with the simulated street pattern partially shown being continuous over the circular platform surface upon which the ricksha is placed;  
 and  
 FIG. 6 is a bottom plan view.

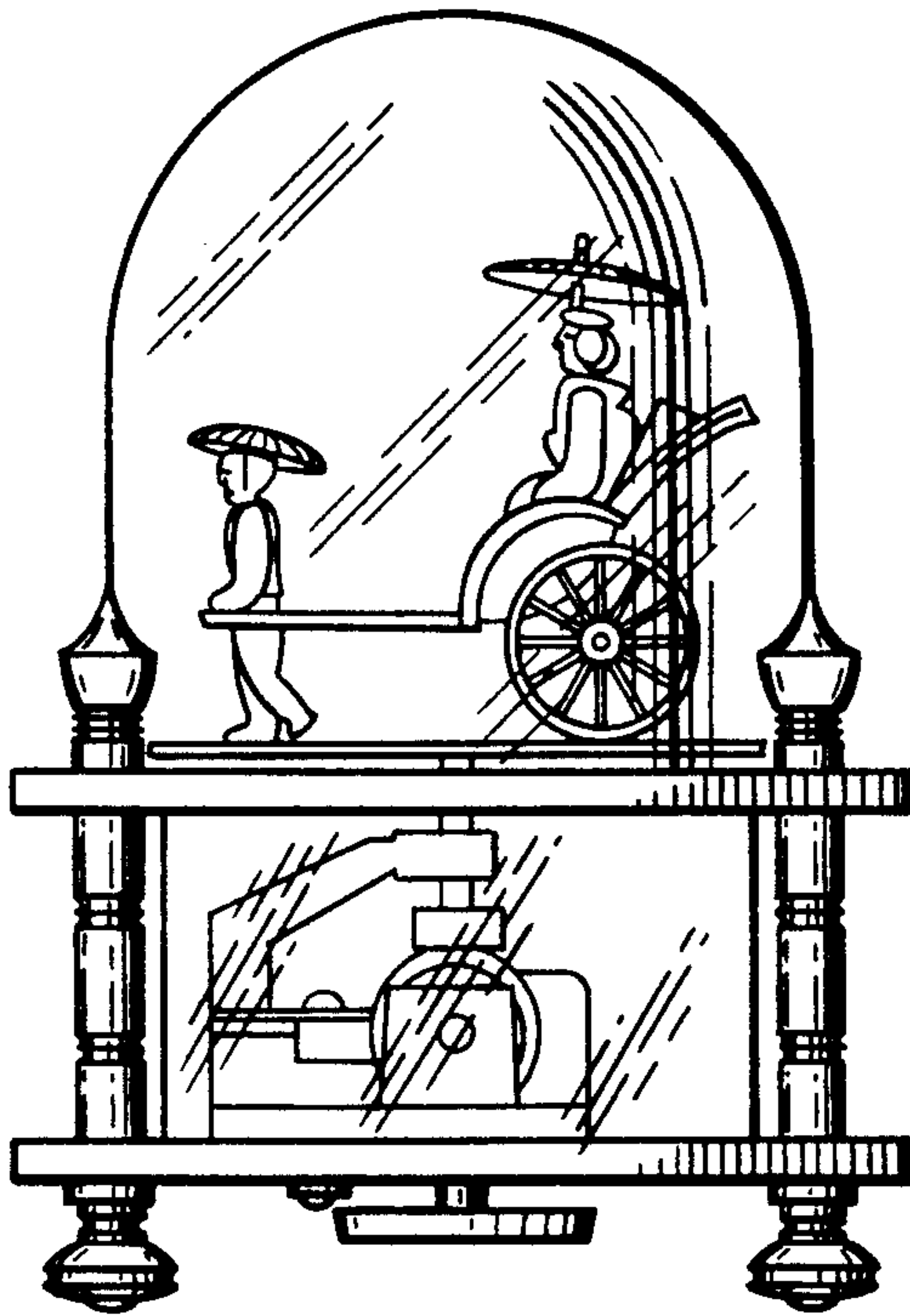


FIG. 1

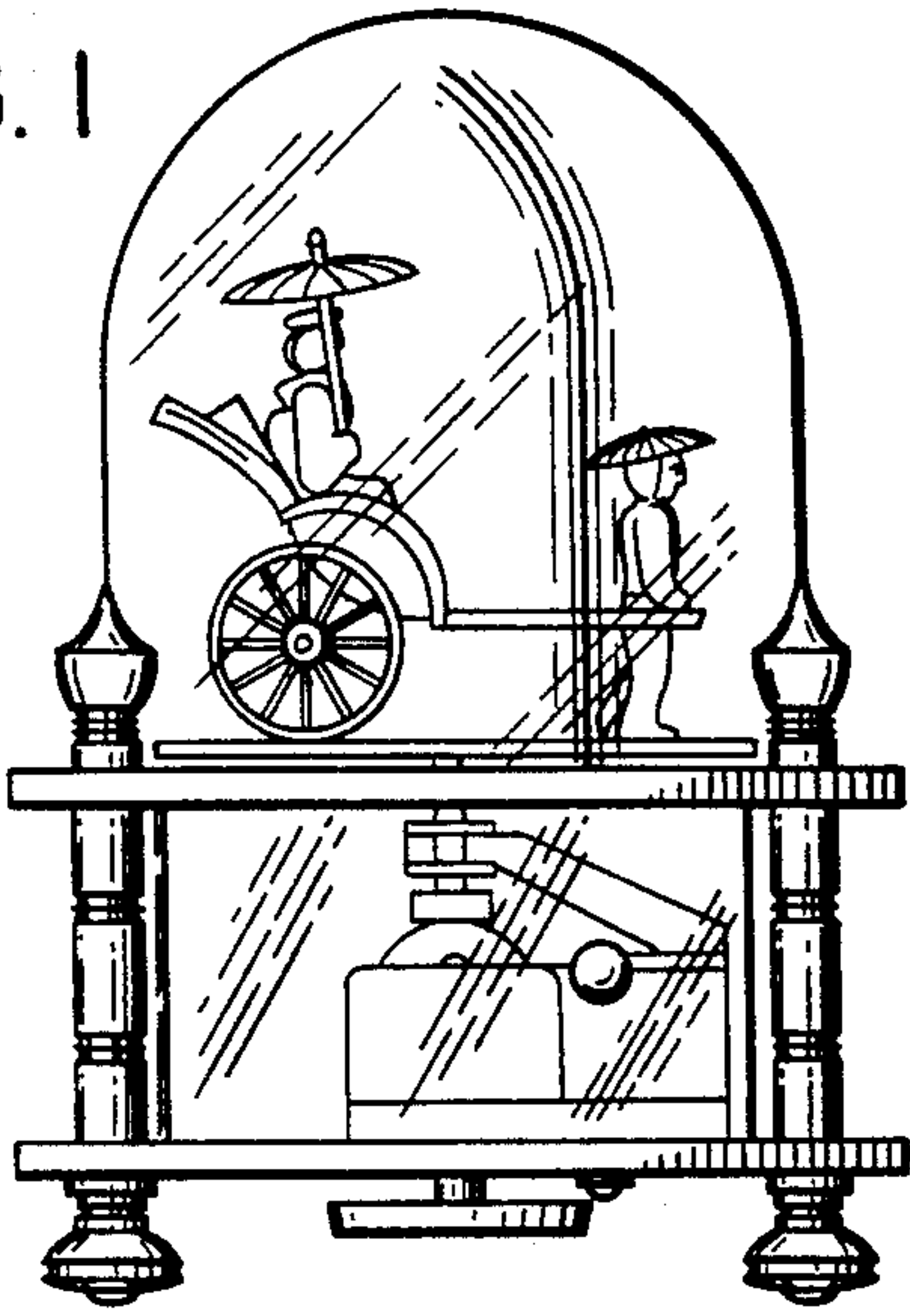


FIG. 3

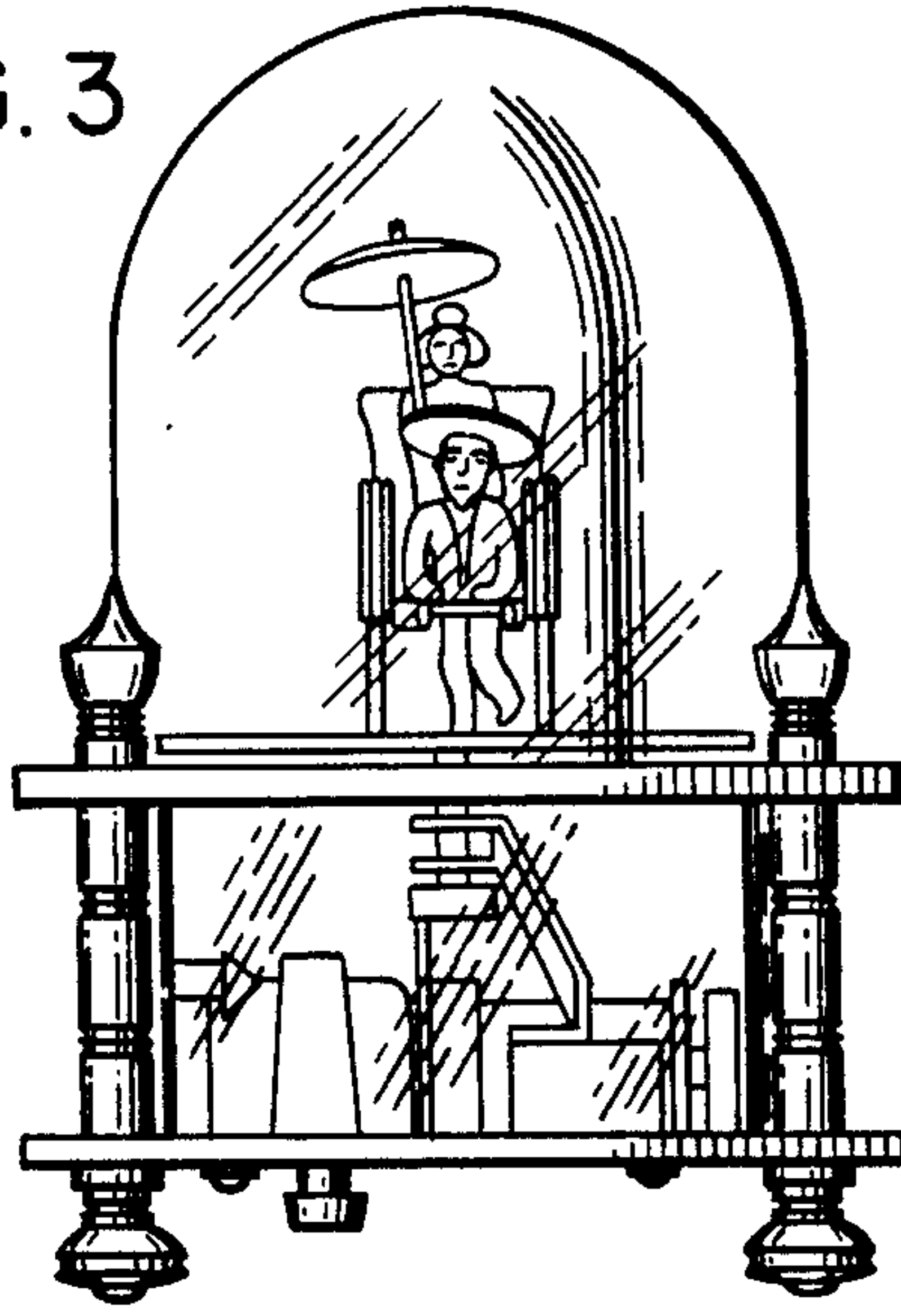


FIG. 2

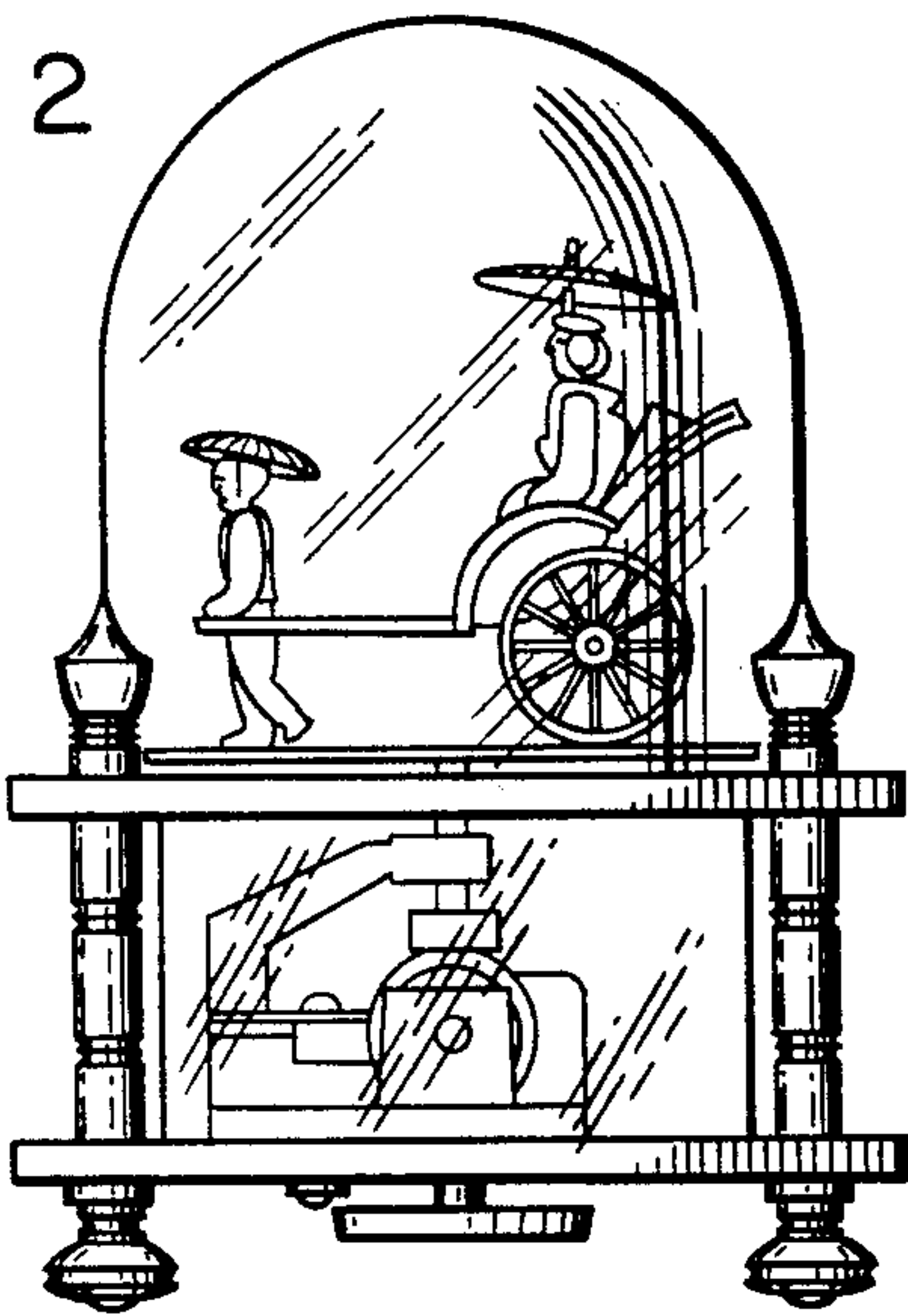


FIG. 4

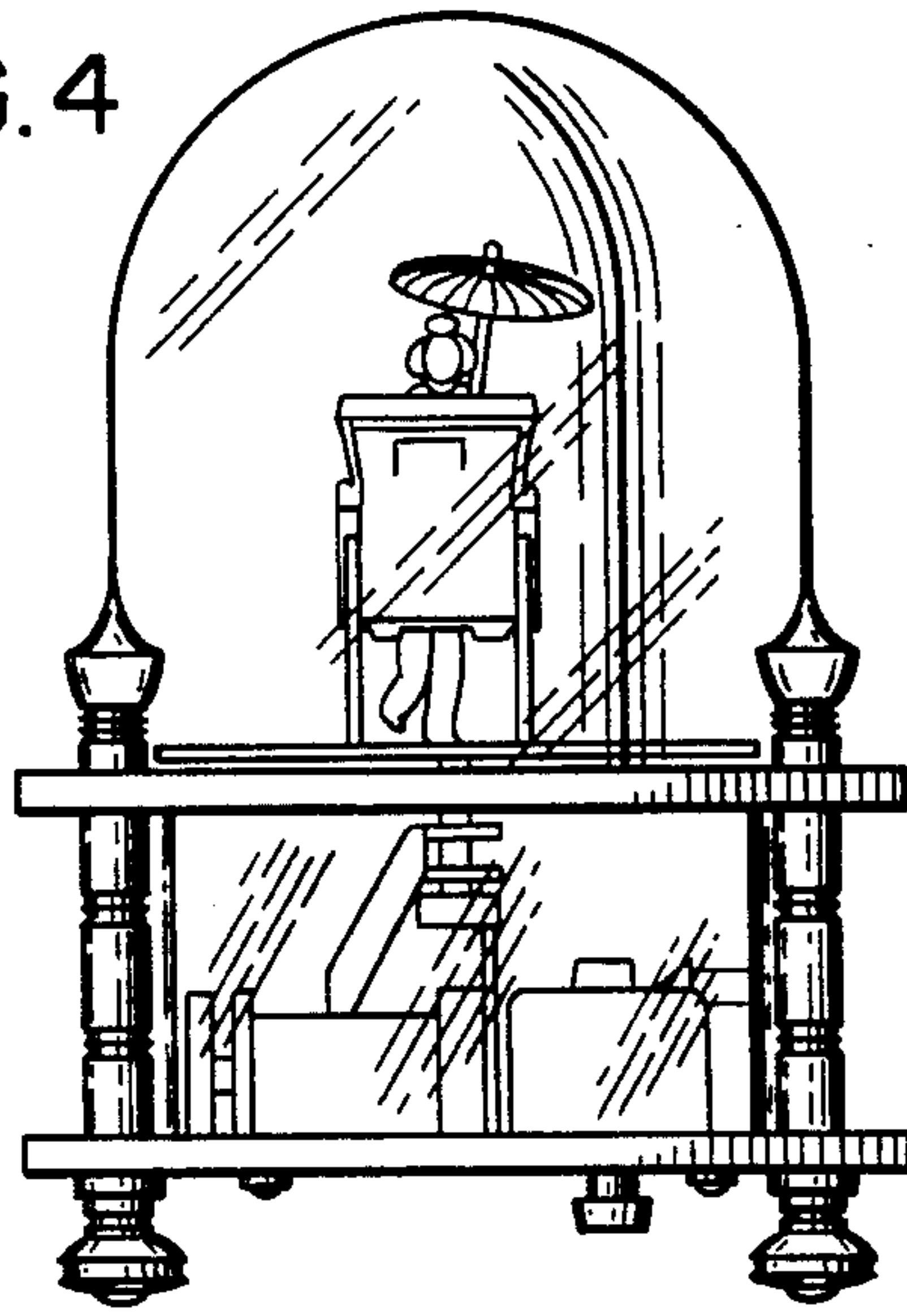


FIG. 5

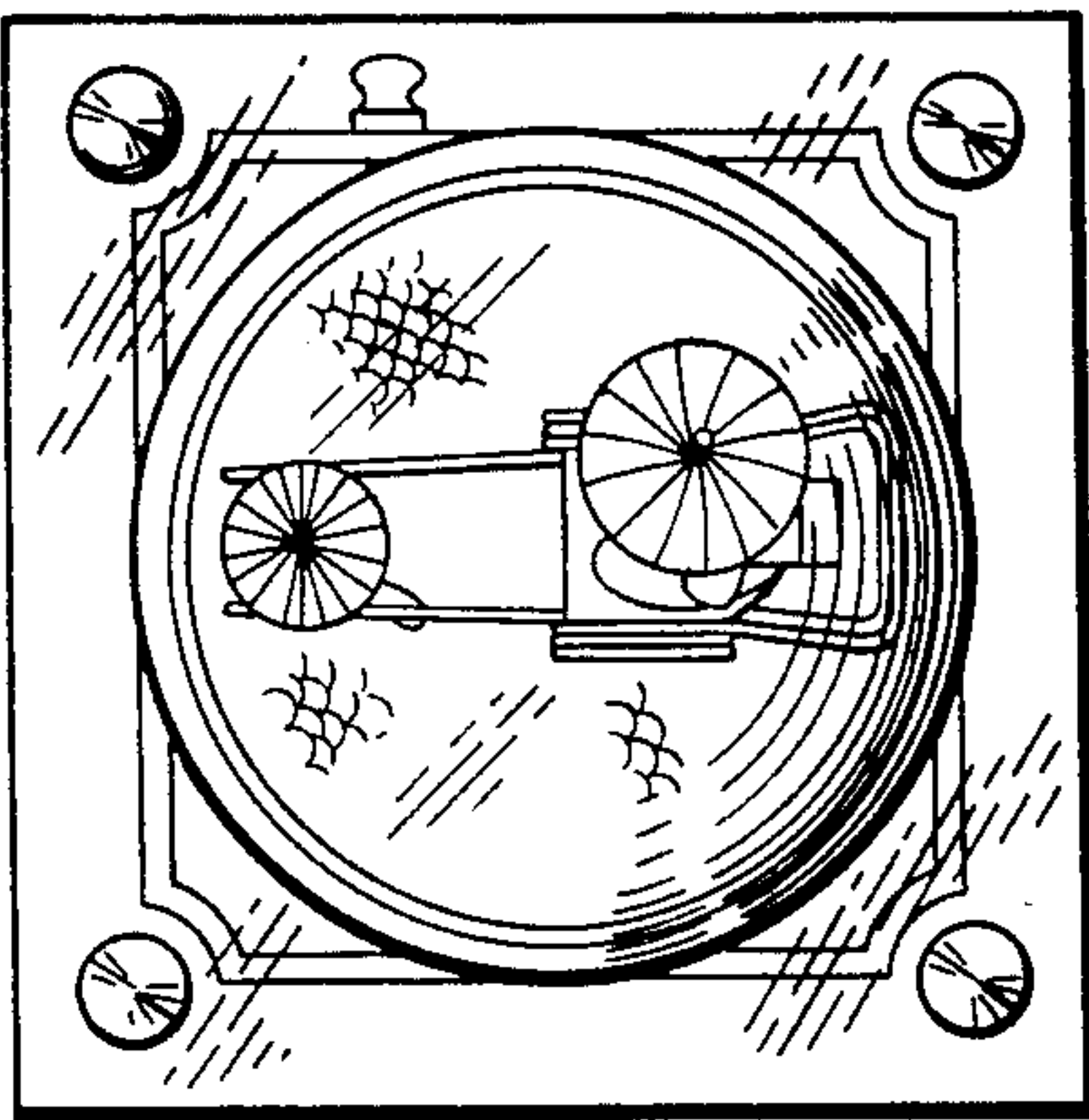


FIG. 6

