

[54] UNDERWATER CAMERA OR SIMILAR ARTICLE

[75] Inventors: Tetsuro Ooya, Minami-Kawachi; Maki Yamashita, Sakai, both of Japan

[73] Assignee: Minolta Camera Kabushiki Kaisha, Osaka, Japan

[\*\*] Term: 14 Years

[21] Appl. No.: 7,270

[22] Filed: Jan. 29, 1979

[30] Foreign Application Priority Data

Aug. 1, 1978 [JP] Japan ..... 53-32626

[51] Int. Cl. .... D16-01

[52] U.S. Cl. .... D16/02

[58] Field of Search ..... D16/1, 2, 6; 354/64, 354/145, 288; 352/132; 358/99

[56] References Cited

U.S. PATENT DOCUMENTS

4,041,507 8/1977 Ko ..... 354/64

FOREIGN PATENT DOCUMENTS

2554061 6/1977 Fed. Rep. of Germany ..... 354/64

Primary Examiner—Catherine E. Kemper  
Attorney, Agent, or Firm—Meyer A. Gross

[57] CLAIM

The ornamental design for an underwater camera or similar article, showing our new design.

DESCRIPTION

FIG. 1 is a top plan view of an underwater camera or similar article embodying our new design;  
FIG. 2 is a front elevational view thereof;  
FIG. 3 is a bottom plan view thereof;  
FIG. 4 is a rear elevational view thereof;  
FIG. 5 is a left-side elevational view thereof; and  
FIG. 6 is a right-side elevational view thereof.

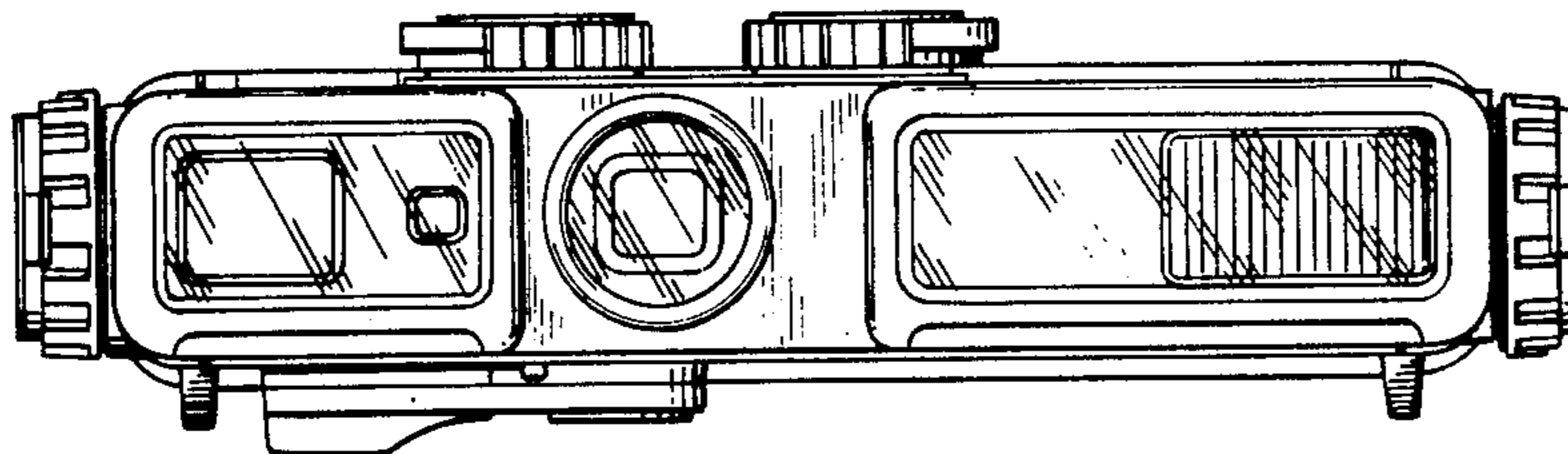
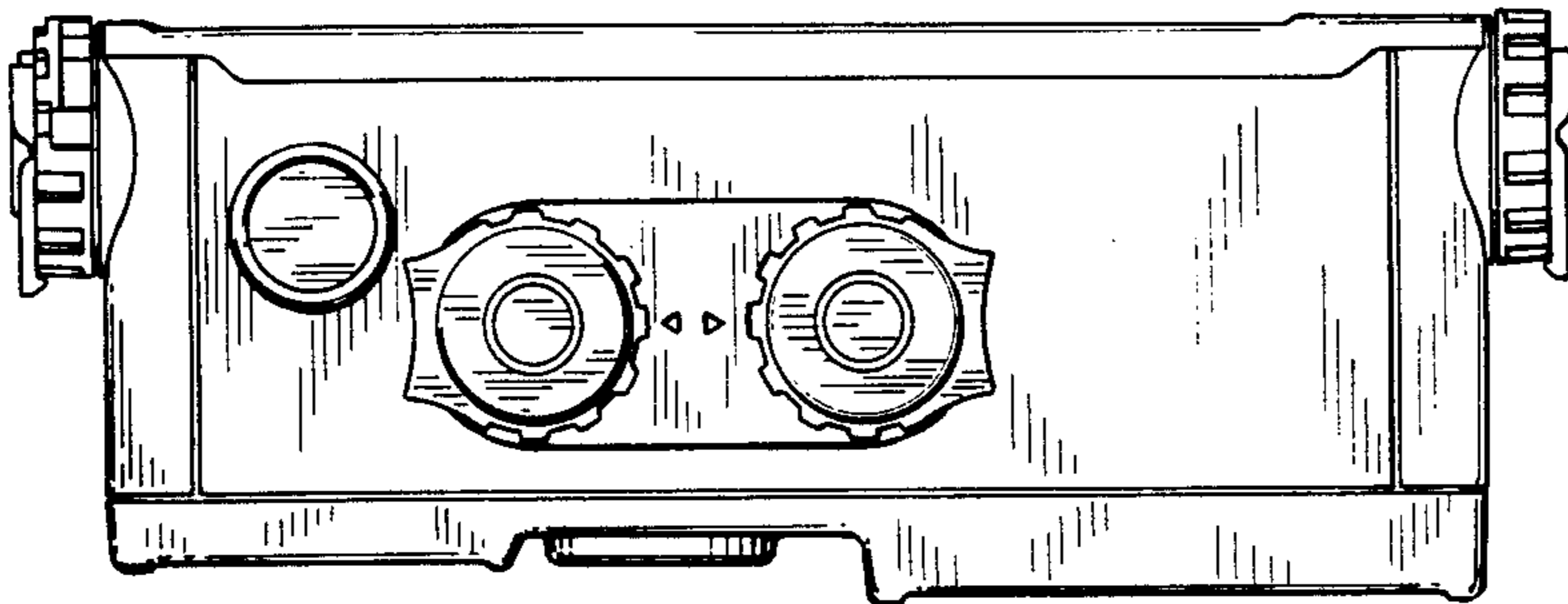


Fig. 1.

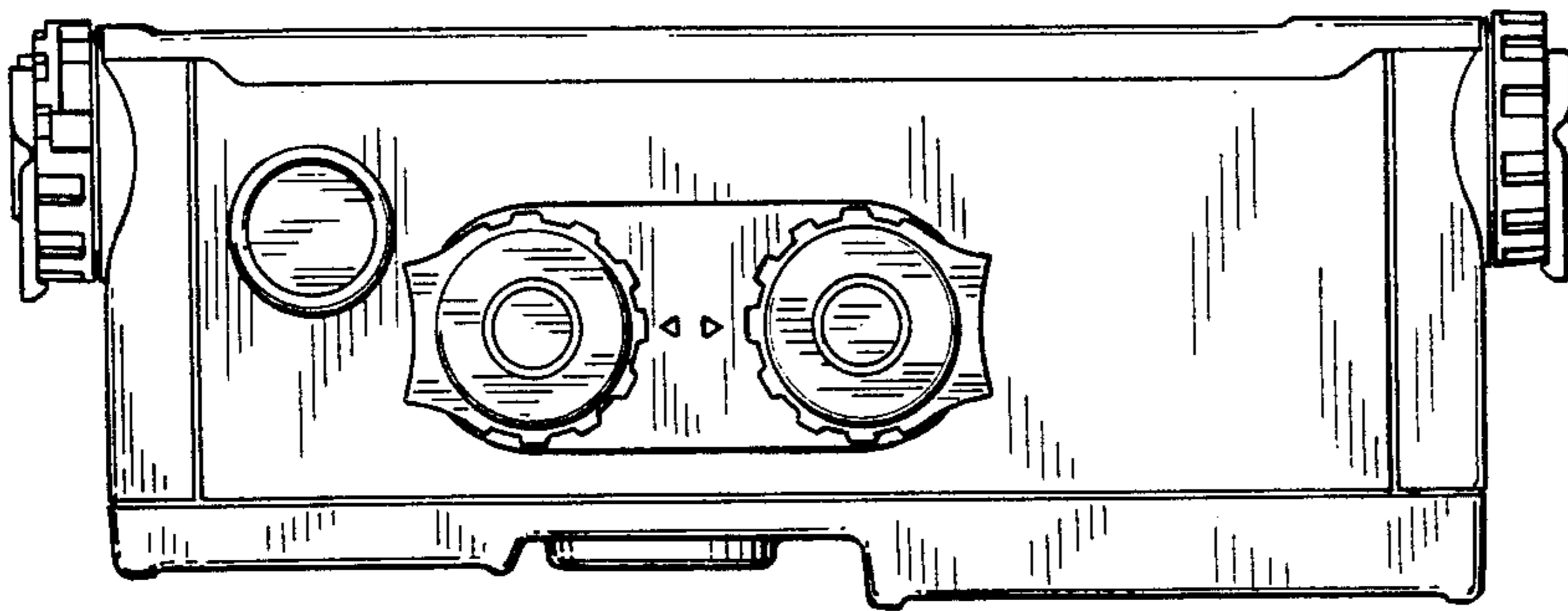


Fig. 2.

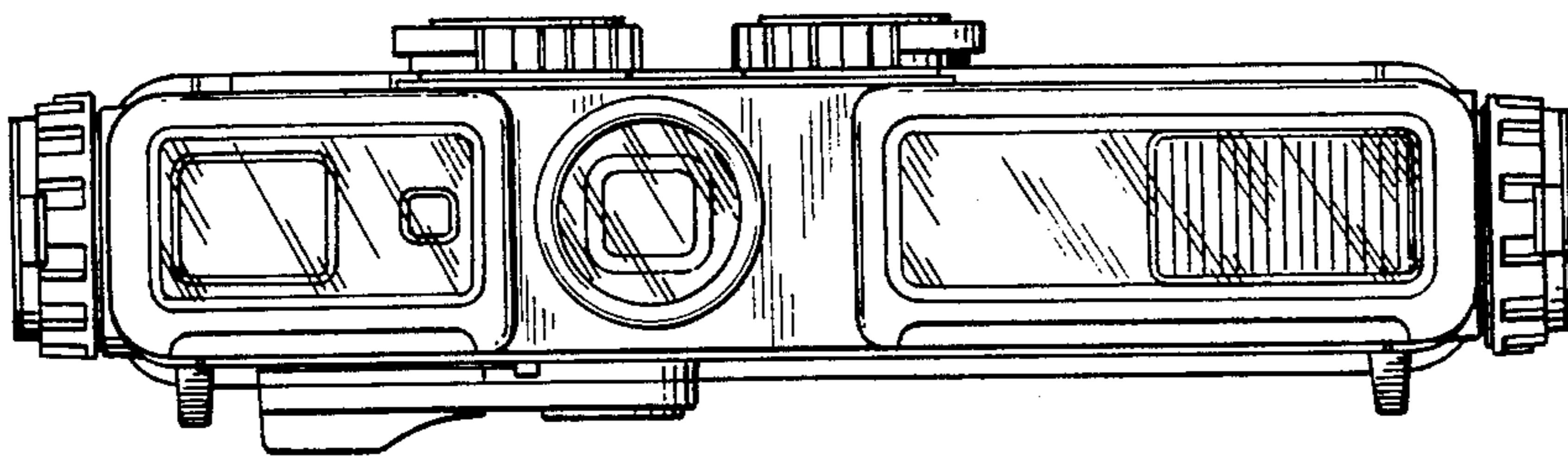


Fig. 3.

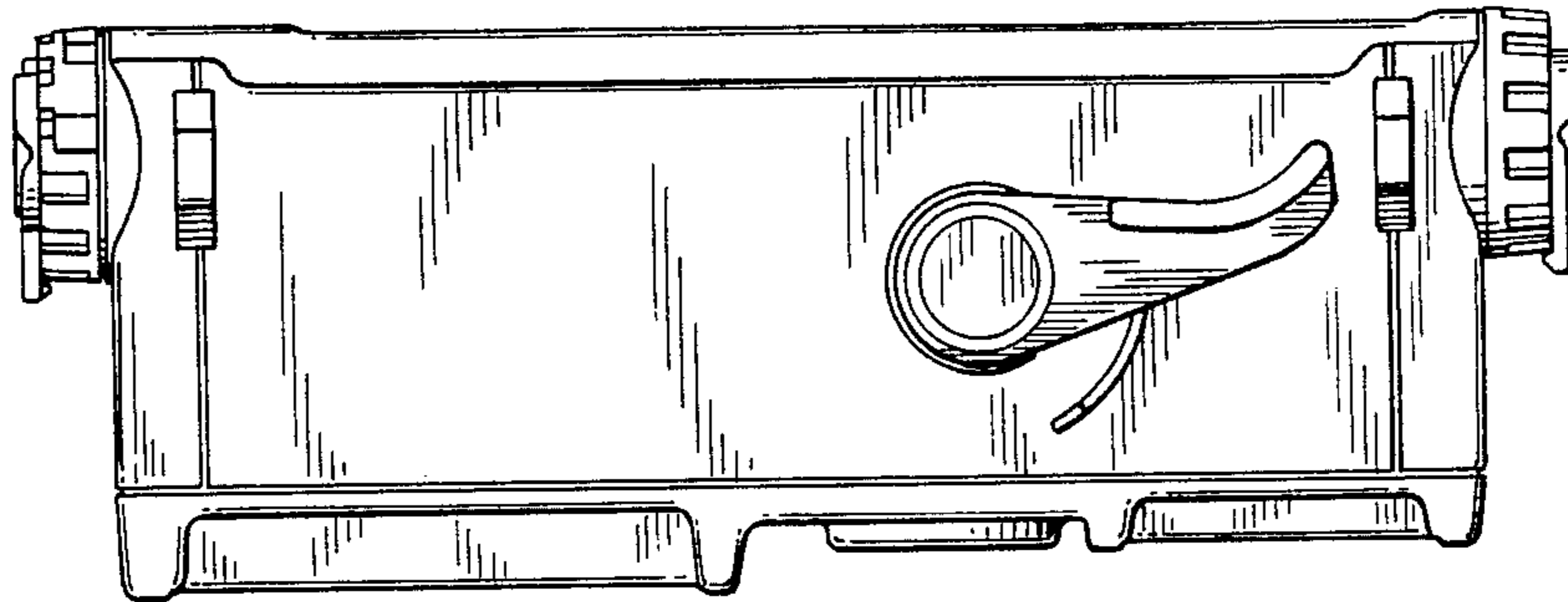


Fig. 4.

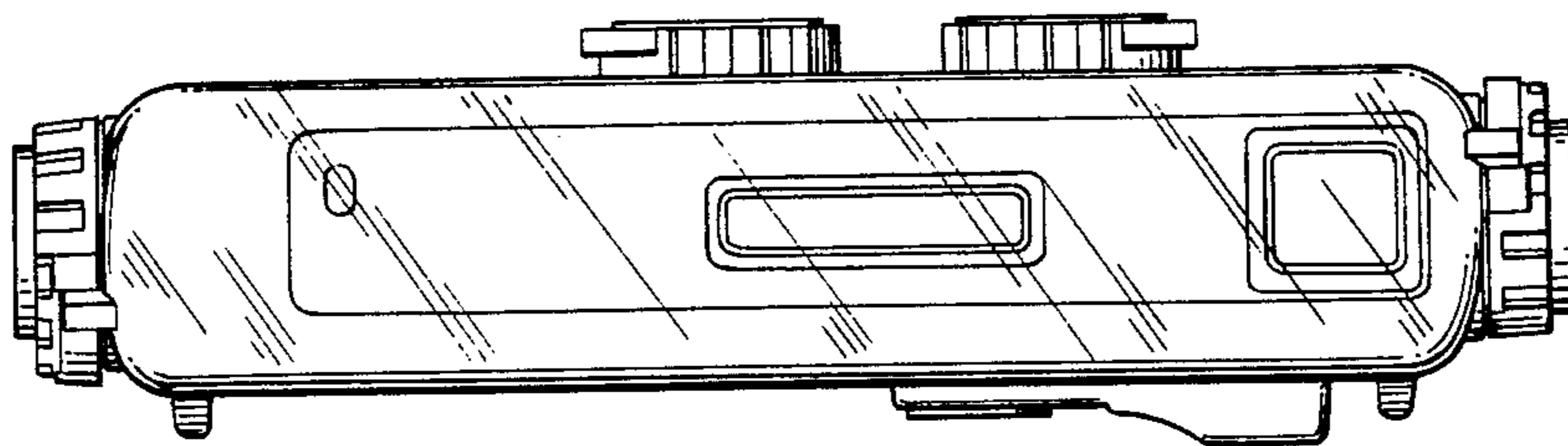


Fig. 5.

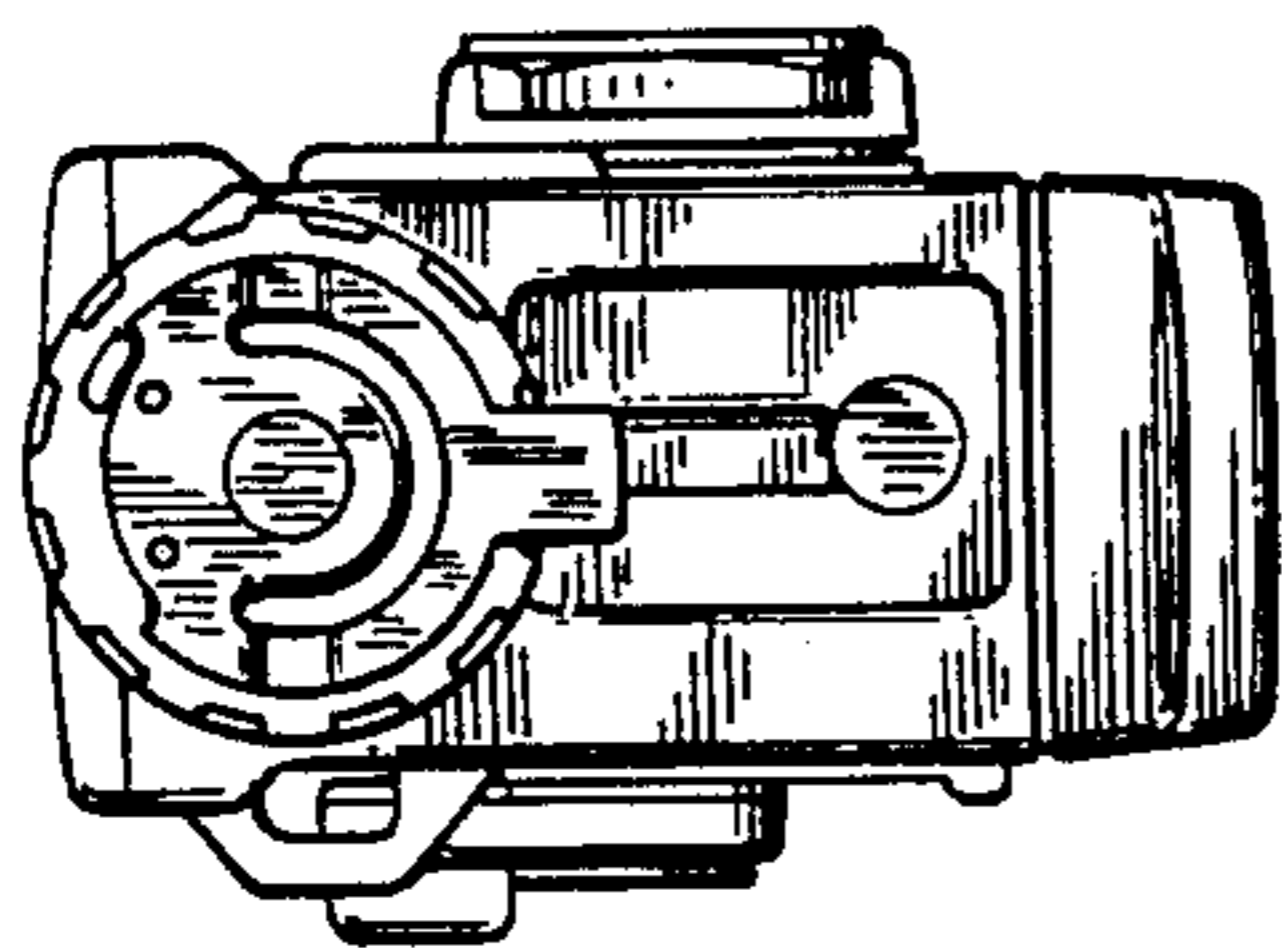


Fig. 6.

