

[54] FRONT DUMP REFUSE COMPACTOR

[75] Inventor: Lewis W. Schmidt, Rio Vista, Calif.

[73] Assignee: Blackwelders, Rio Vista, Calif.

[**] Term: 14 Years

[21] Appl. No.: 926,917

[22] Filed: Jul. 21, 1978

[51] Int. Cl. D15-09

[52] U.S. Cl. D15/123; D12/15

[58] Field of Search D15/123; D12/15, 93; D7/189, 191; 100/229 A, 229 R

[56] References Cited

U.S. PATENT DOCUMENTS

D. 226,224 1/1973 Schmidt D7/189

D. 231,916 6/1974 Smith D12/93

Primary Examiner—James M. Gandy
Attorney, Agent, or Firm—Roger B. Webster

[57] CLAIM

The ornamental design for a front dump refuse compactor, as shown.

DESCRIPTION

FIG. 1 is a top plan view of a front dump refuse compactor showing my new design;

FIG. 2 is a side elevational view thereof;

FIG. 3 is a side elevational view thereof opposite to that shown in FIG. 2;

FIG. 4 is a front elevational view thereof;

FIG. 5 is a rear elevational view thereof; and

FIG. 6 is a front perspective view thereof with the packer unit in open condition.

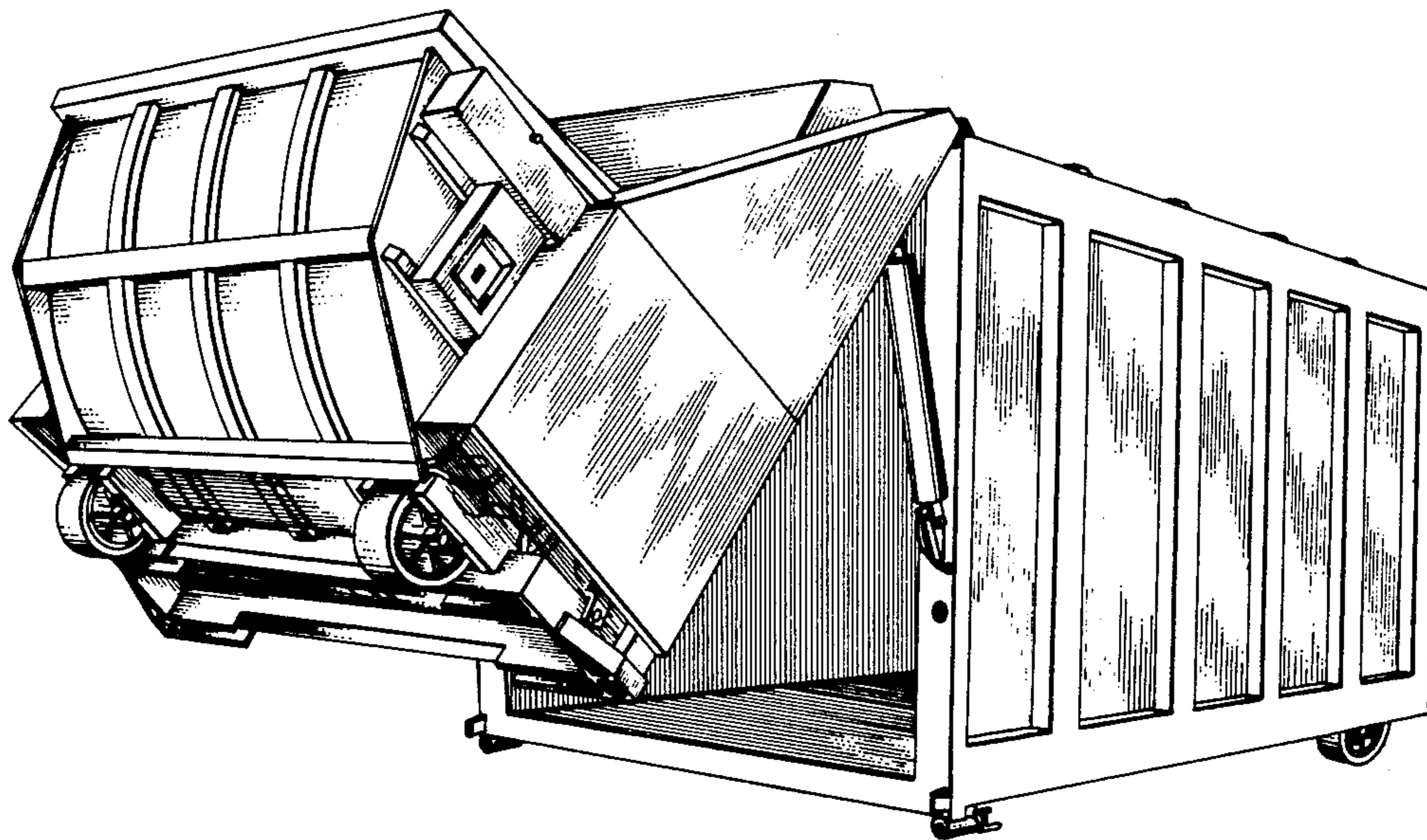


FIG-1

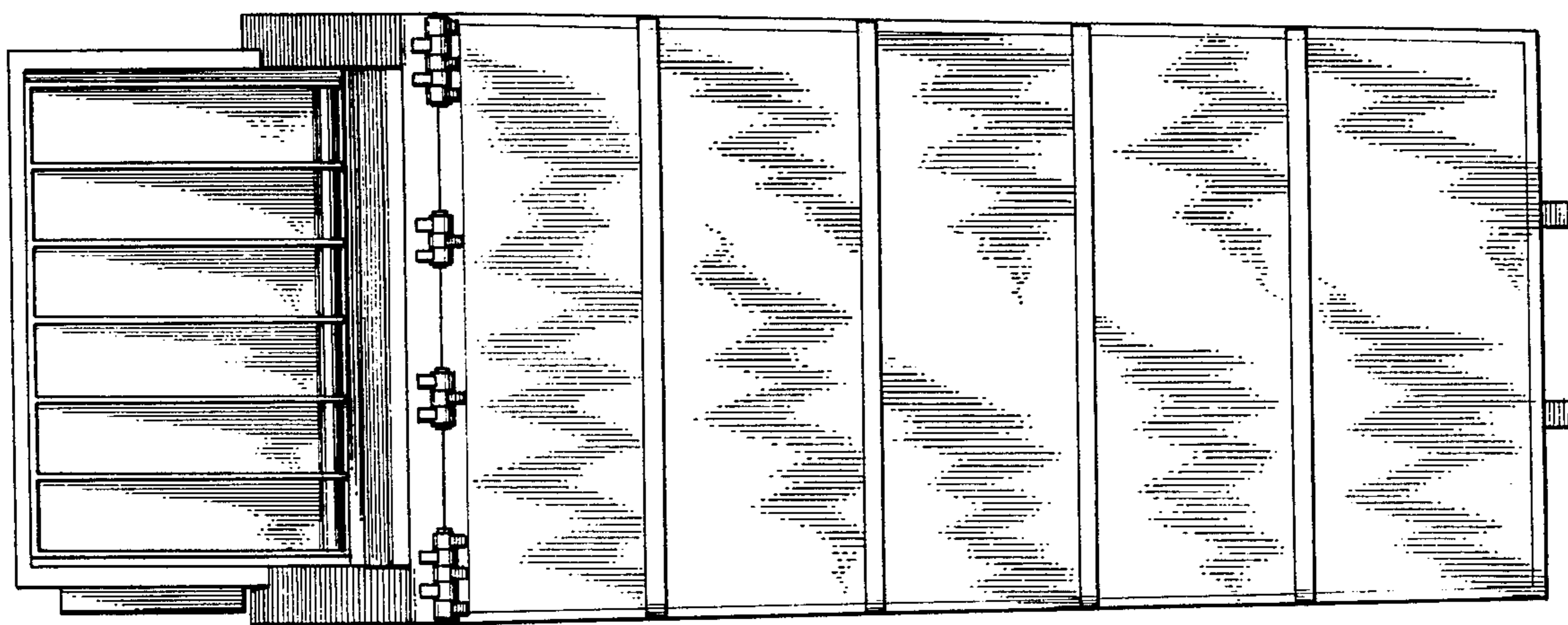


FIG-2

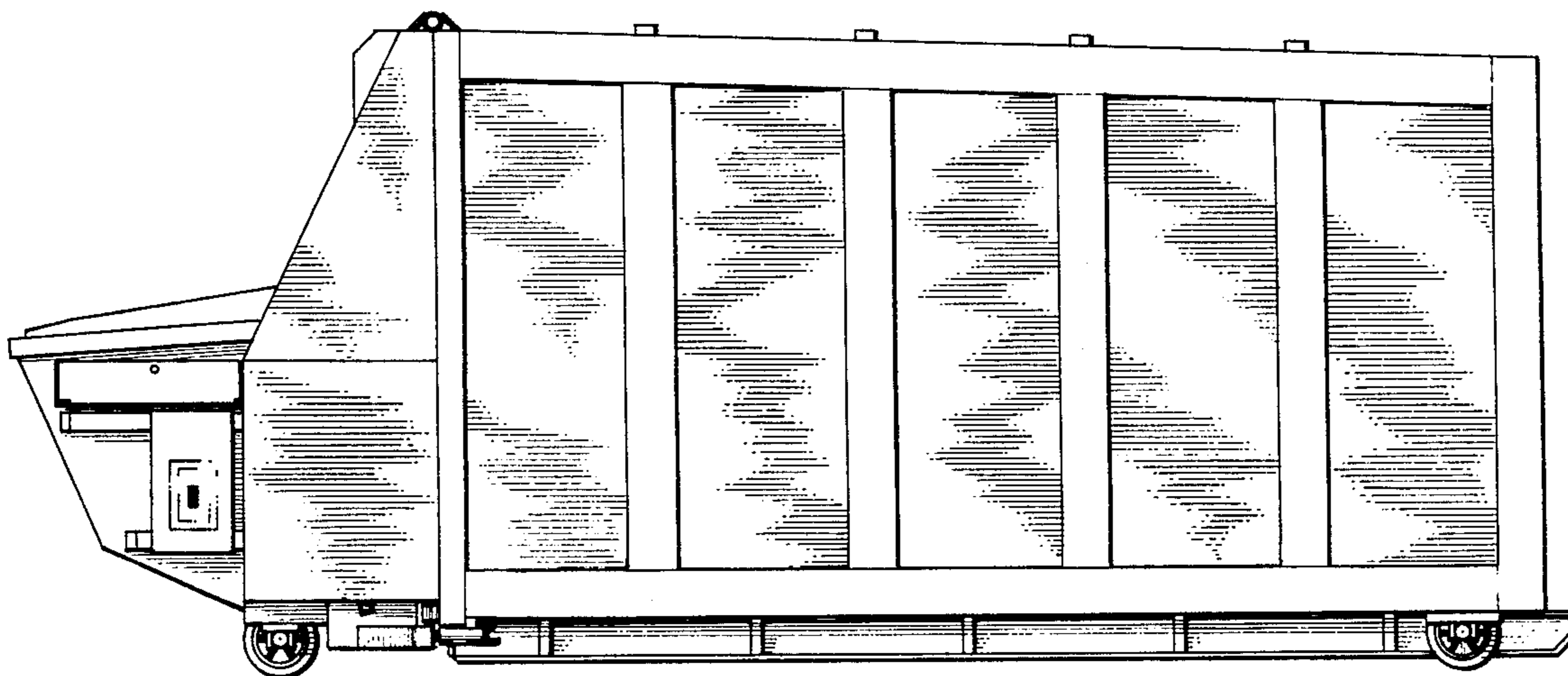


FIG-3

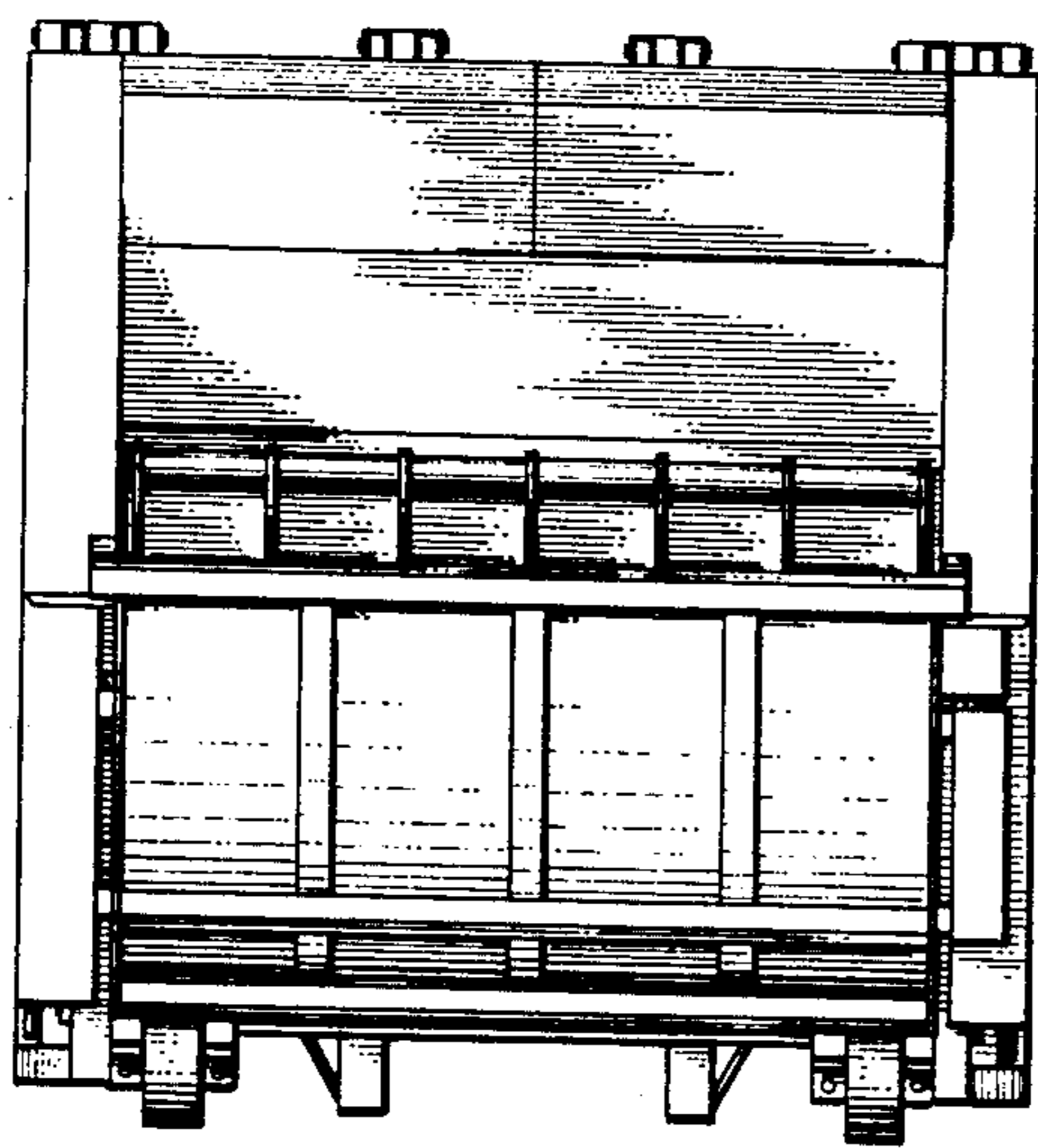
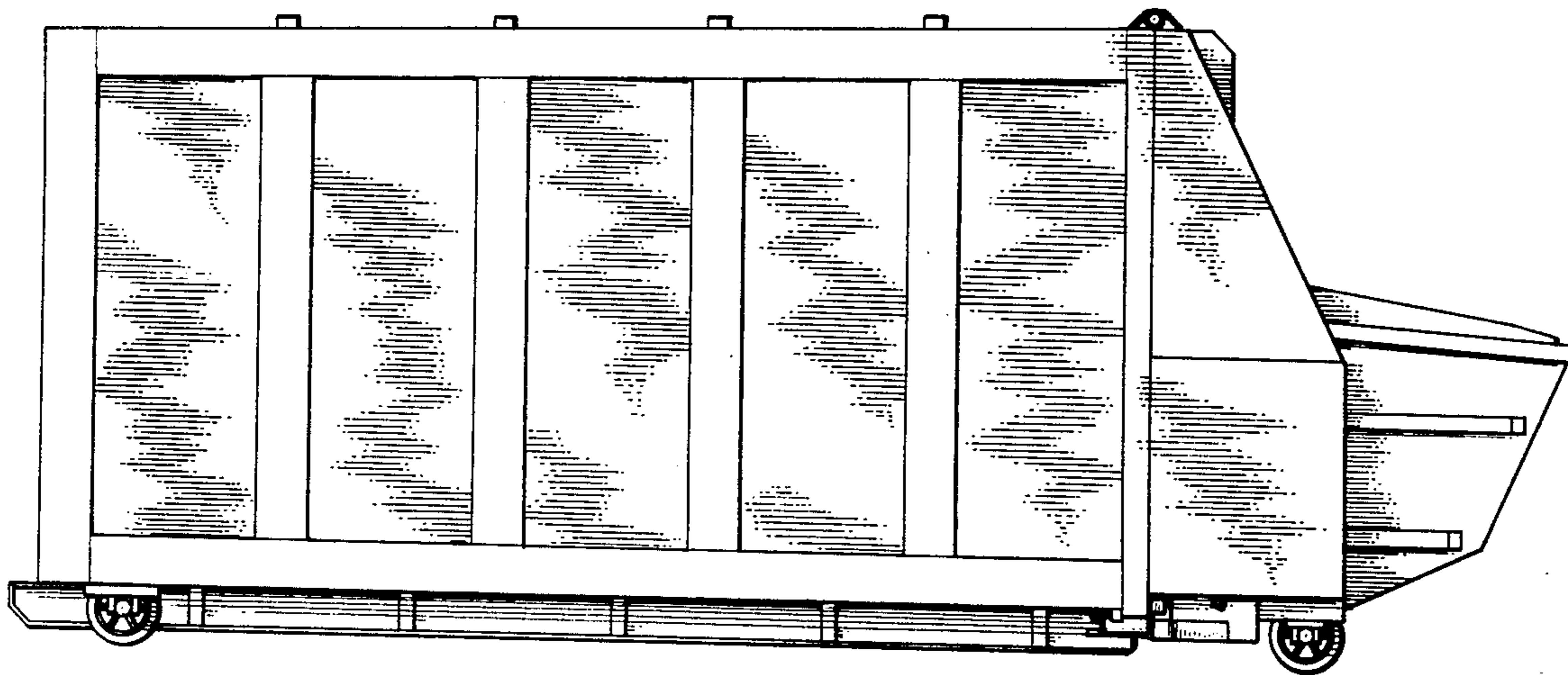


FIG-4

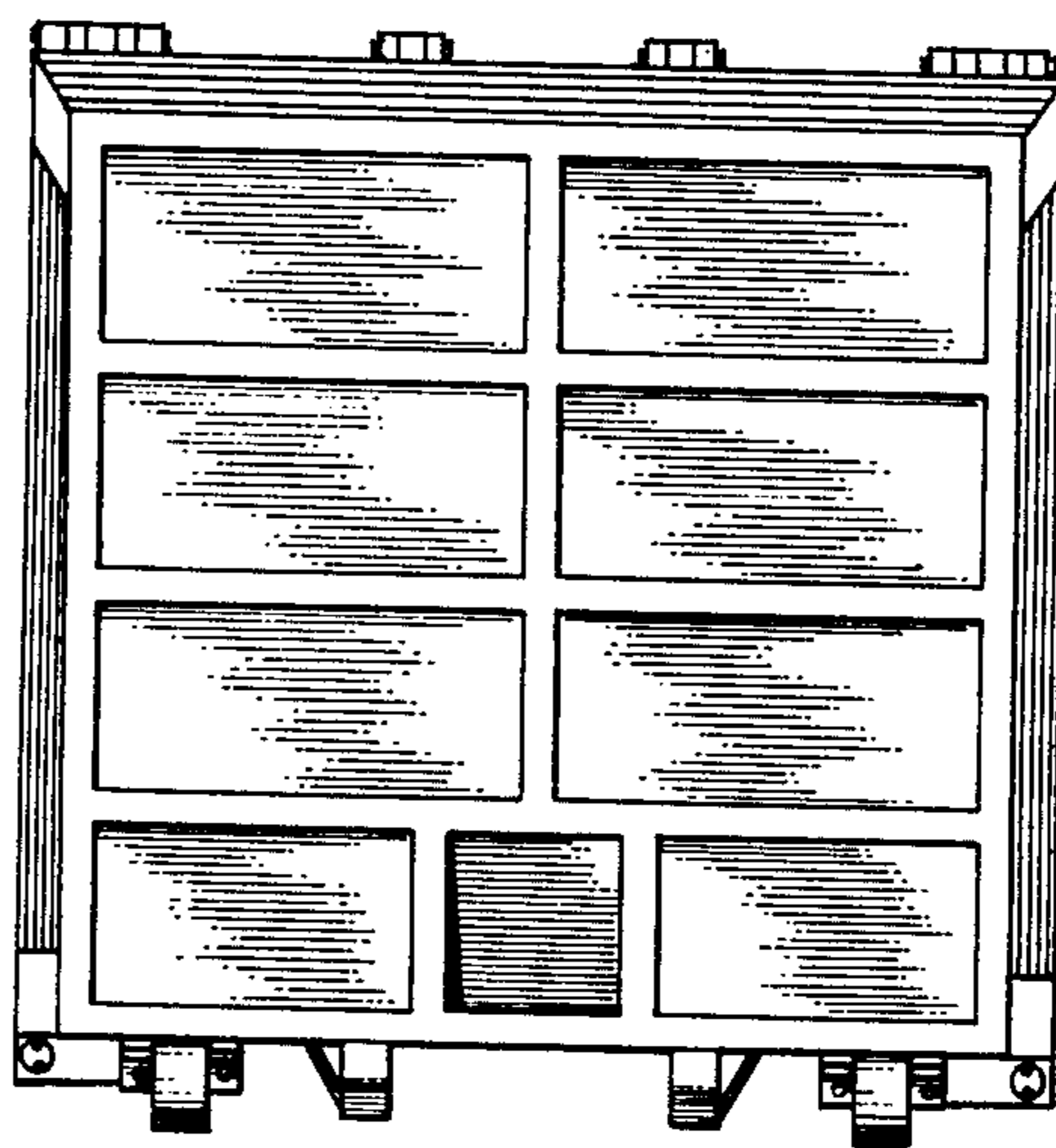


FIG-5

FIG-6

