

[54] LIQUID FUEL DISPENSING PUMP

[75] Inventor: Roy F. Gray, Wokingham, England

[73] Assignee: Dresser Industries, Inc., Dallas, Tex.

[\*\*] Term: 14 Years

[21] Appl. No.: 943,545

[22] Filed: Sep. 18, 1978

[30] Foreign Application Priority Data

Mar. 23, 1978 [GB] United Kingdom ..... 983884/78

[51] Int. Cl. .... D15-02

[52] U.S. Cl. .... D15/9.2

[58] Field of Search ..... D15/9.1, 9.2, 9.3;  
222/14, 23, 26-28, 32-36, 74-76, 173-174, 176,  
183-184, 523, 538; 194/3, 13

[56]

References Cited

U.S. PATENT DOCUMENTS

D. 99,546	5/1936	Hudspeth .....	D15/9.3
D. 190,923	7/1961	Bowden .....	D15/9.2
D. 237,821	11/1975	Gray .....	D15/9.2
D. 237,822	11/1975	Gray .....	D15/9.2
D. 237,823	11/1975	Gray .....	D15/9.2
D. 237,825	11/1975	Gray .....	D15/9.1
D. 238,895	2/1976	Albright .....	D15/9.2
D. 247,134	1/1978	Geisler .....	D15/9.1
3,883,042	5/1975	Junker .....	222/74 X

Primary Examiner—Nelson C. Holtje

Attorney, Agent, or Firm—John N. Hazelwood

[57]

CLAIM

The ornamental design for liquid fuel dispensing pump, substantially as shown.

DESCRIPTION

FIG. 1 is a right side elevational view of a liquid fuel dispensing pump showing my new design, the left side being a mirror image thereto;

FIG. 2 is a front elevational view thereof, the rear being a mirror image thereto.

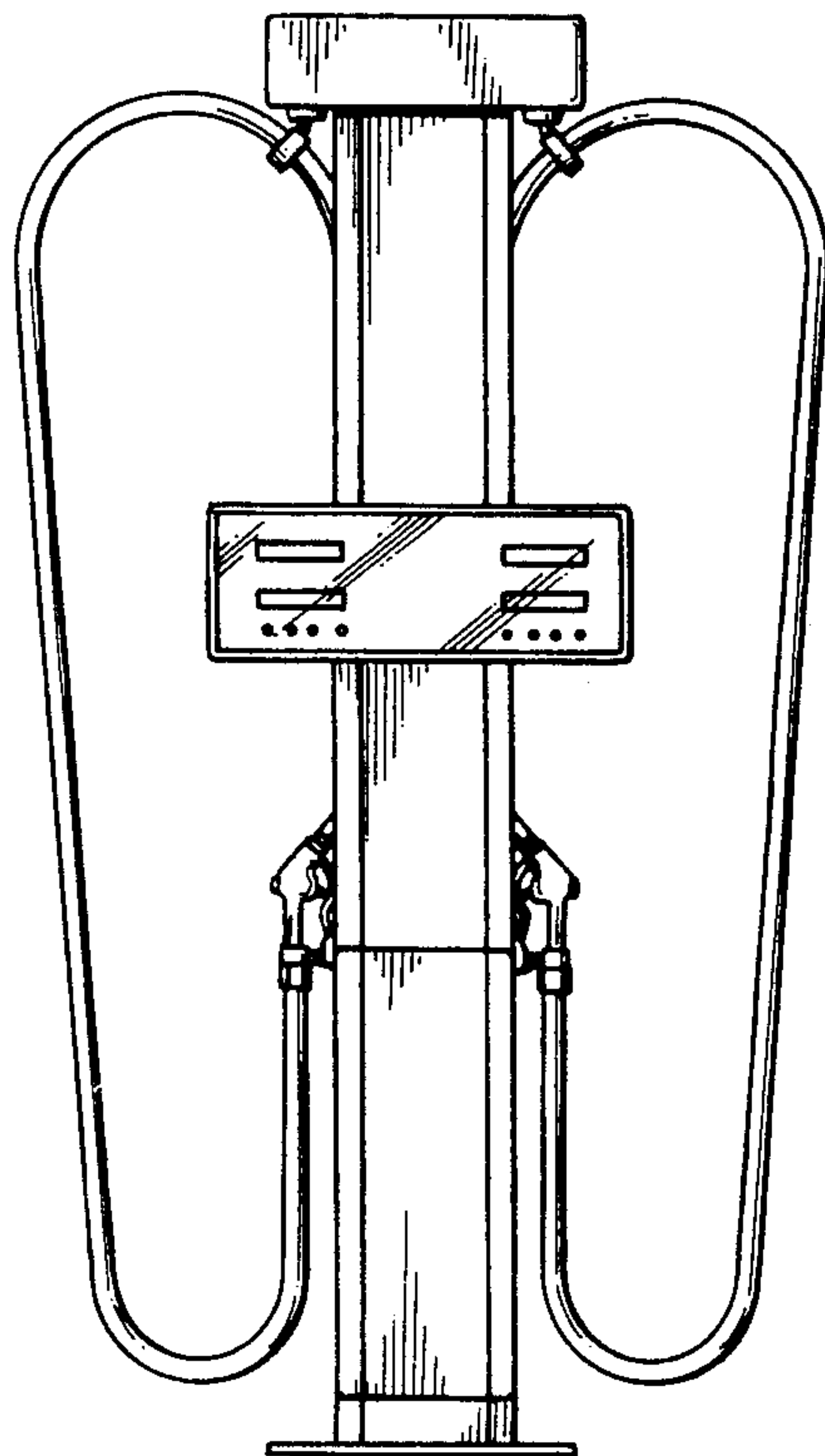


FIG. 1

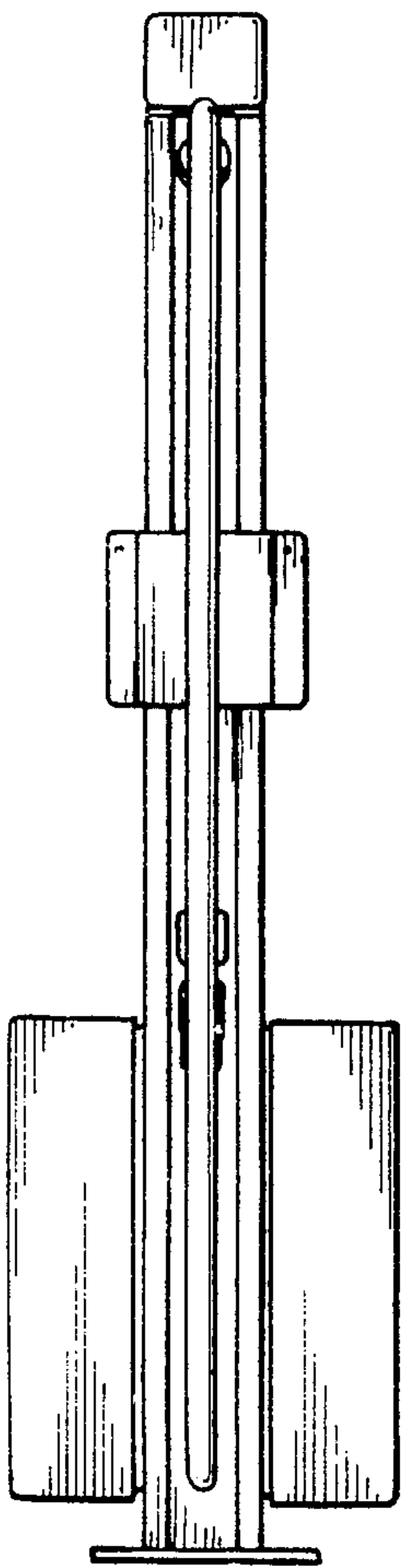


FIG. 2

