

[54] **MOTORIZED BICYCLE**

[56] **References Cited**

[76] Inventor: **Jeffrey E. Dunan**, 3900 Grandview Blvd., Los Angeles, Calif. 90066

FOREIGN PATENT DOCUMENTS

520241 3/1955 Italy 180/219

Primary Examiner—James M. Gandy
Attorney, Agent, or Firm—Roger W. Blakely, Jr.

[**] Term: **14 Years**

[57] **CLAIM**

The ornamental design for a motorized bicycle, substantially as shown.

[21] Appl. No.: **948,770**

DESCRIPTION

[22] Filed: **Oct. 2, 1978**

FIG. 1 is a right side elevational view of a motorized bicycle illustrating the new design;
FIG. 2 is a top plan view thereof;
FIG. 3 is a bottom plan view thereof;
FIG. 4 is a front elevational view thereof; and
FIG. 5 is a rear elevational view thereof.

[51] Int. Cl. **D12—11**

[52] U.S. Cl. **D12/111; D12/110**

[58] Field of Search **D12/110, 111; 180/219, 180/218; 280/289 S; 296/78.1**

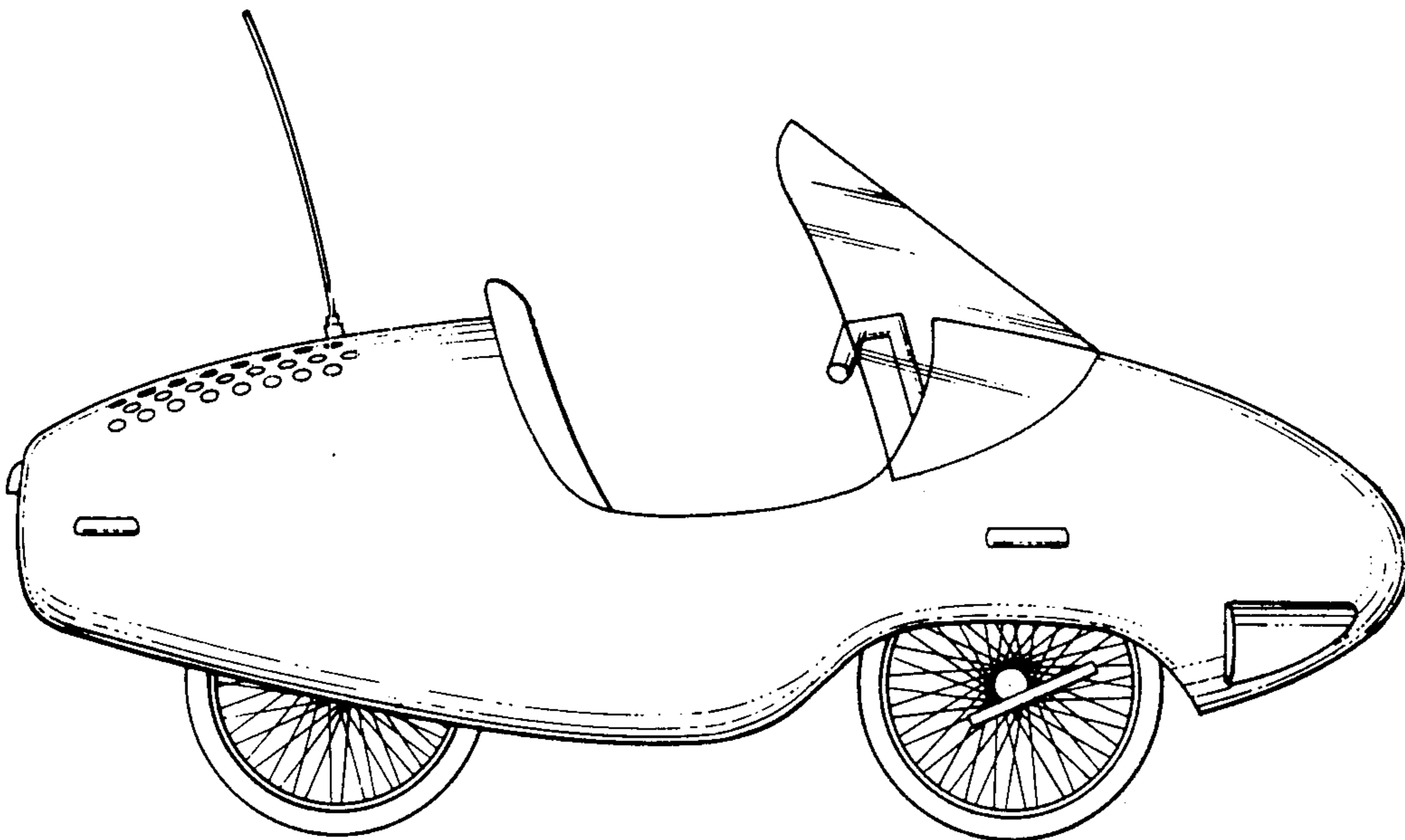


Fig. 1

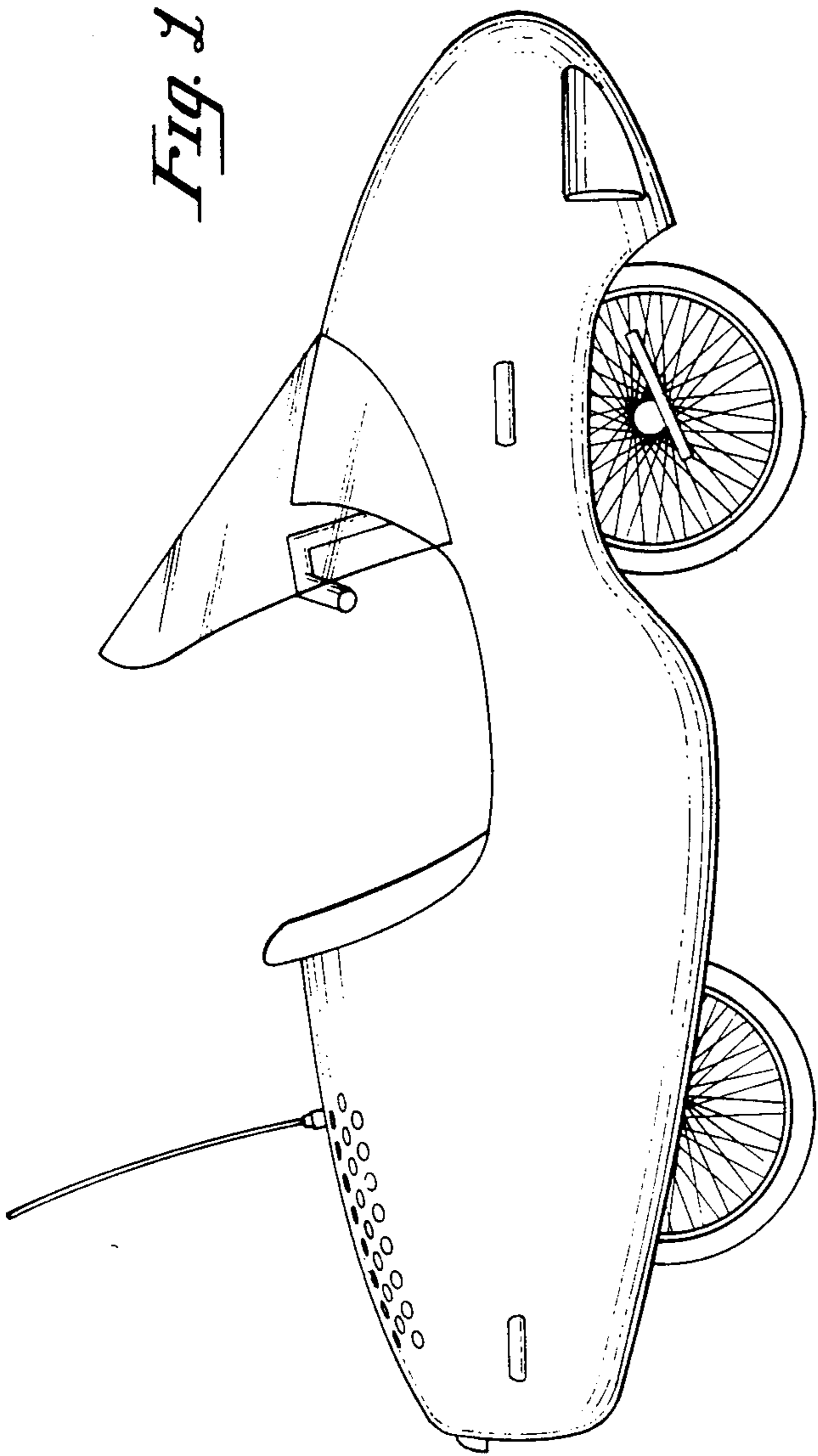
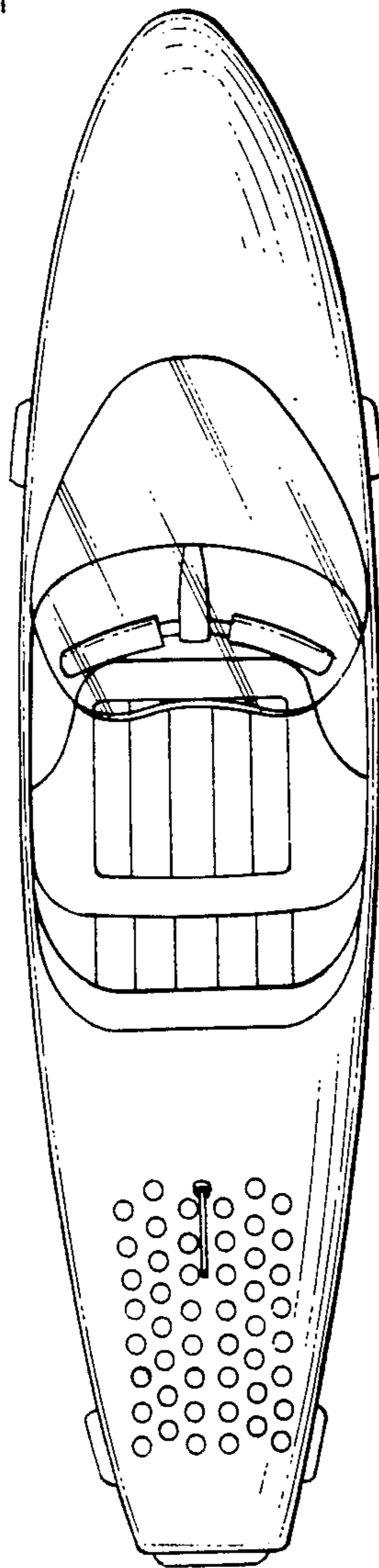


Fig. 2



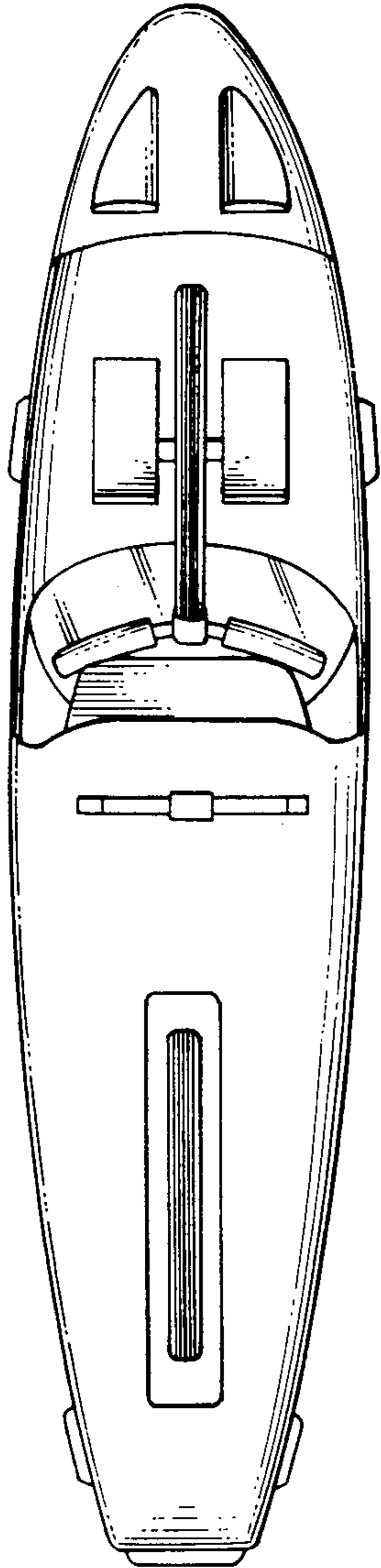


Fig. 3

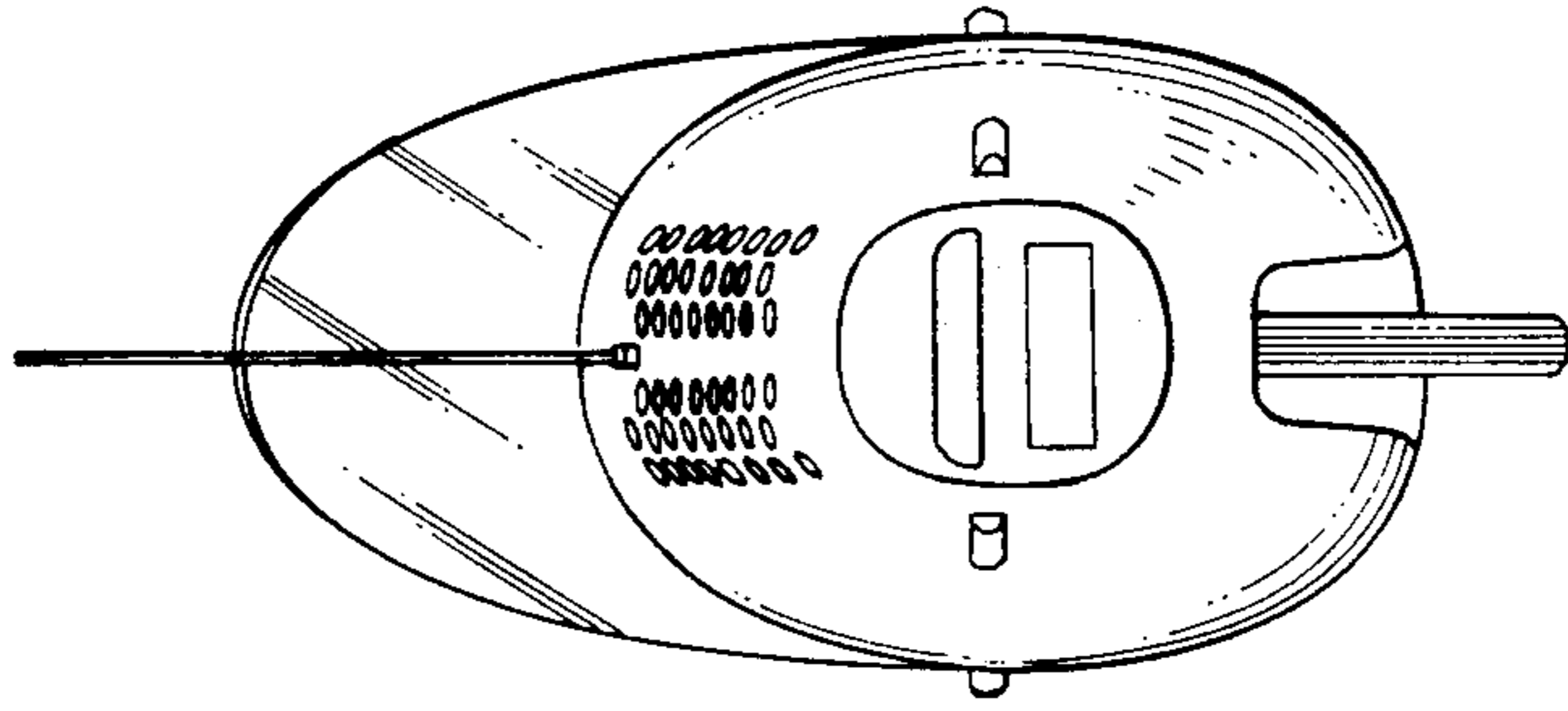


Fig. 5

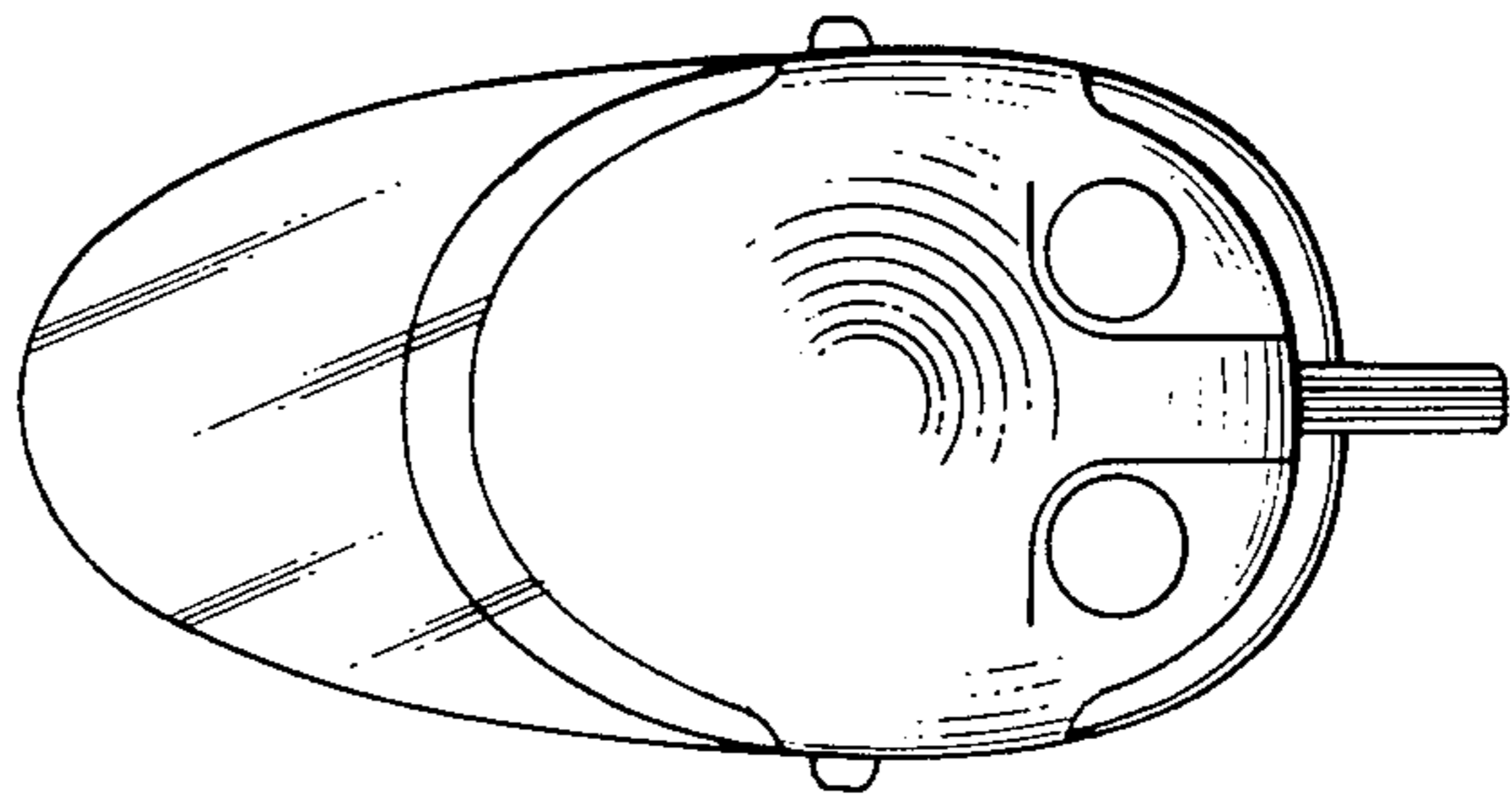


Fig. 4