

[54] PACKAGING TRAY

[76] Inventor: Charles D. Mullinix, P.O. Box 105, Waynesville, N.C. 28756

[**] Term: 14 Years

[21] Appl. No.: 843,643

[22] Filed: Oct. 19, 1977

[51] Int. Cl. D9-03

[52] U.S. Cl. D9/416

[58] Field of Search 229/30, 1.5 R, 2.5 R; 206/518, 508, 557-564; D7/16, 40, 83, 76, 131; D9/219, 235, 234, 240, 242, 254

[56] References Cited

U.S. PATENT DOCUMENTS

- D. 98,741 2/1936 Taieb D9/234
- D. 217,593 5/1970 Loven D9/242

- D. 241,721 10/1976 Hourahine D9/240 X
- D. 245,579 8/1977 Jewell D9/219 X
- D. 248,621 7/1978 Hay et al. D9/219
- 3,464,832 9/1969 Mullinix 99/171
- 4,113,095 9/1978 Dietz et al. 206/508

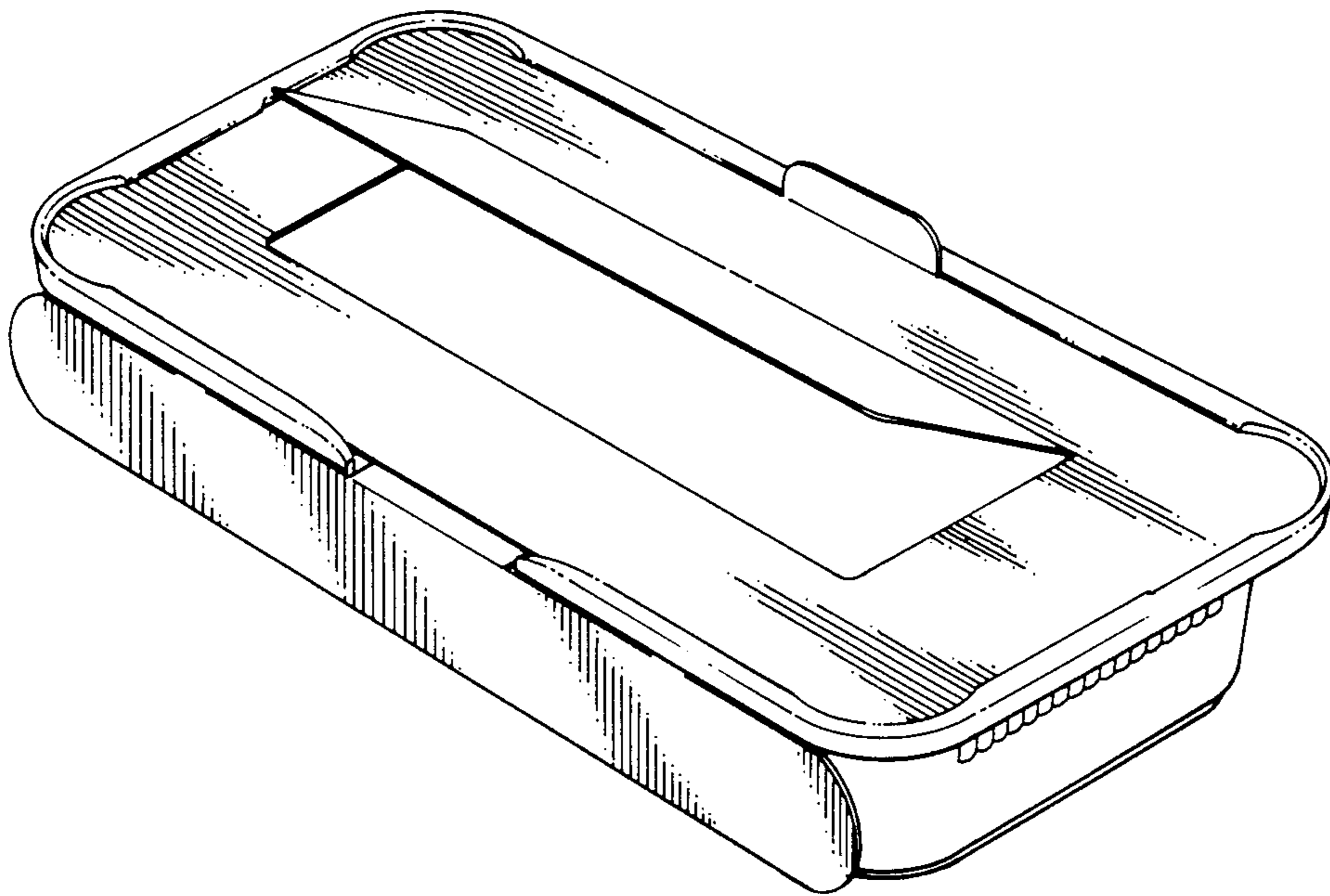
Primary Examiner—Robert C. Spangler
Attorney, Agent, or Firm—David M. Carter

[57] CLAIM

The ornamental design for a packaging tray, as shown and described.

DESCRIPTION

FIG. 1 is a perspective view of a packaging tray showing my new design with the hinged top flap up; FIG. 2 is a side elevational view with the hinged top flap down; FIG. 3 is a rear elevational view thereof; FIG. 4 is a top plan view; and FIG. 5 is a front elevational view thereof.



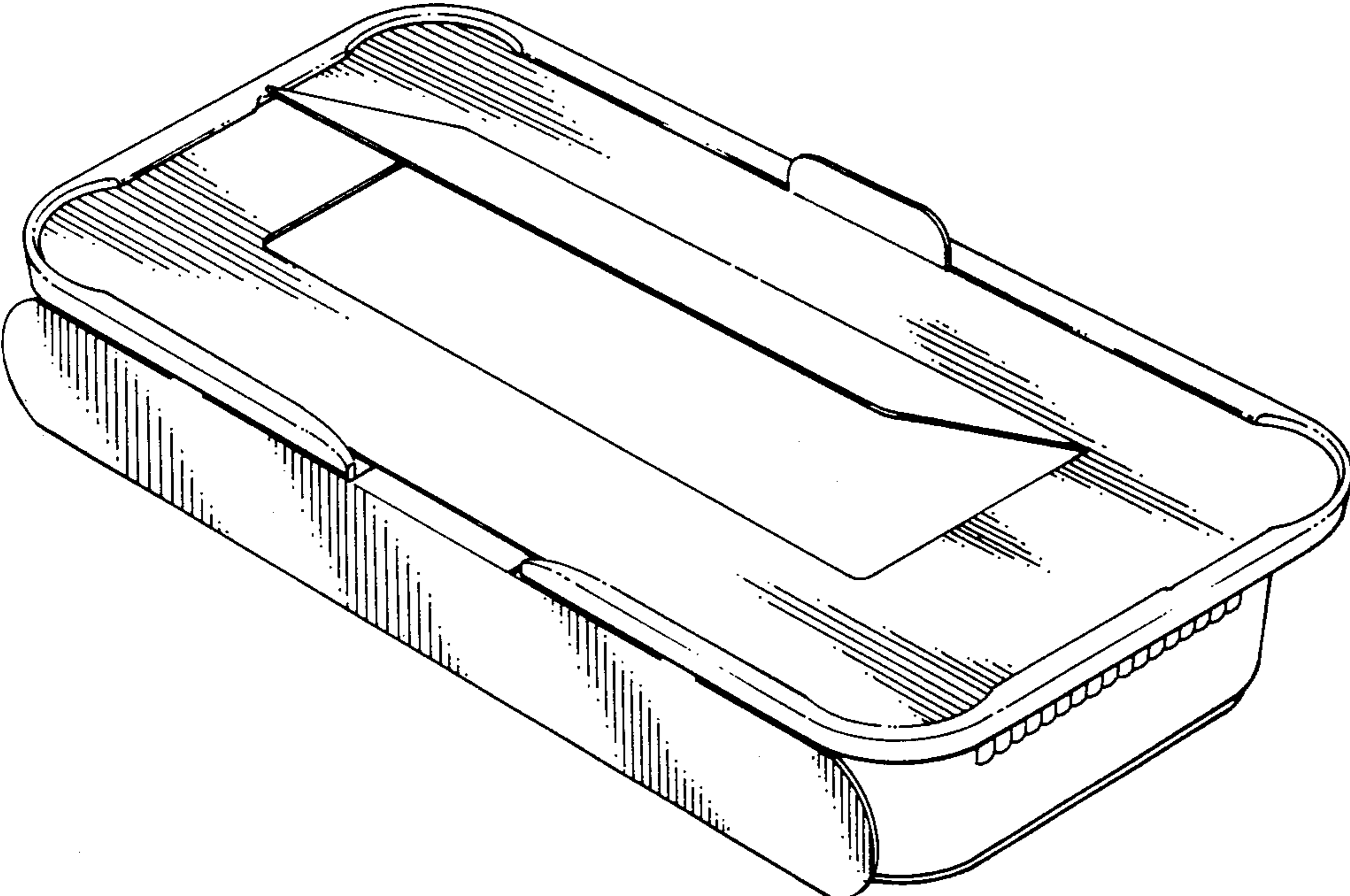


FIG. 1

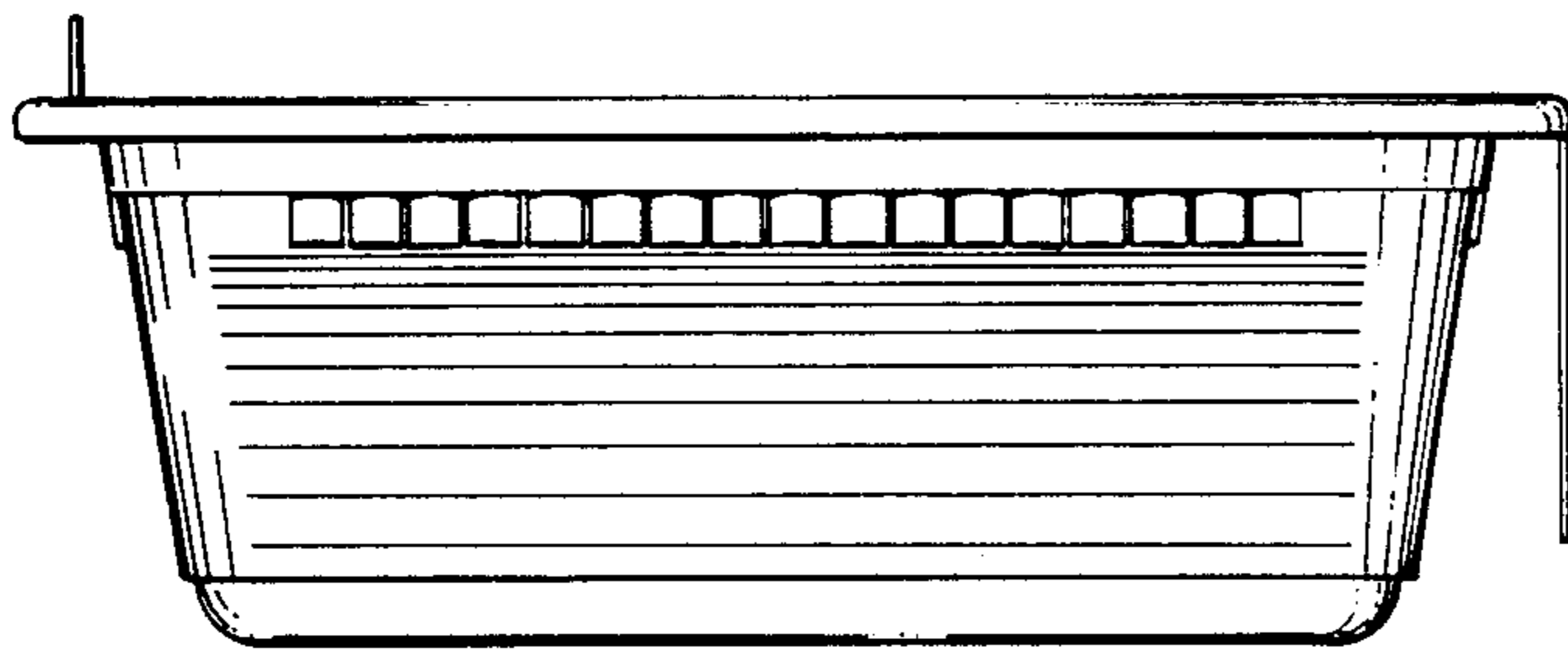


FIG. 2

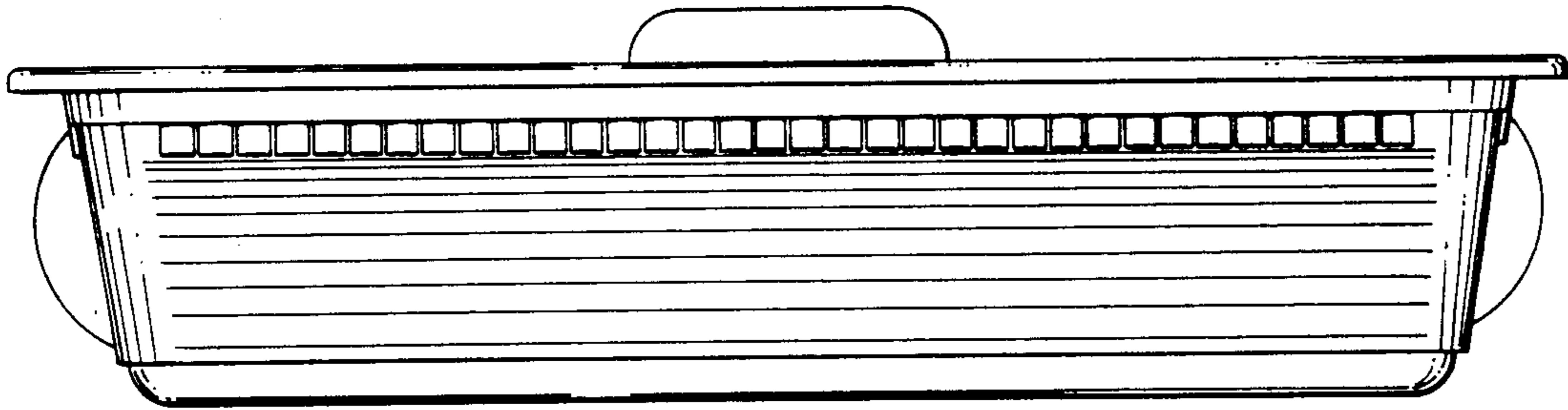


FIG. 3

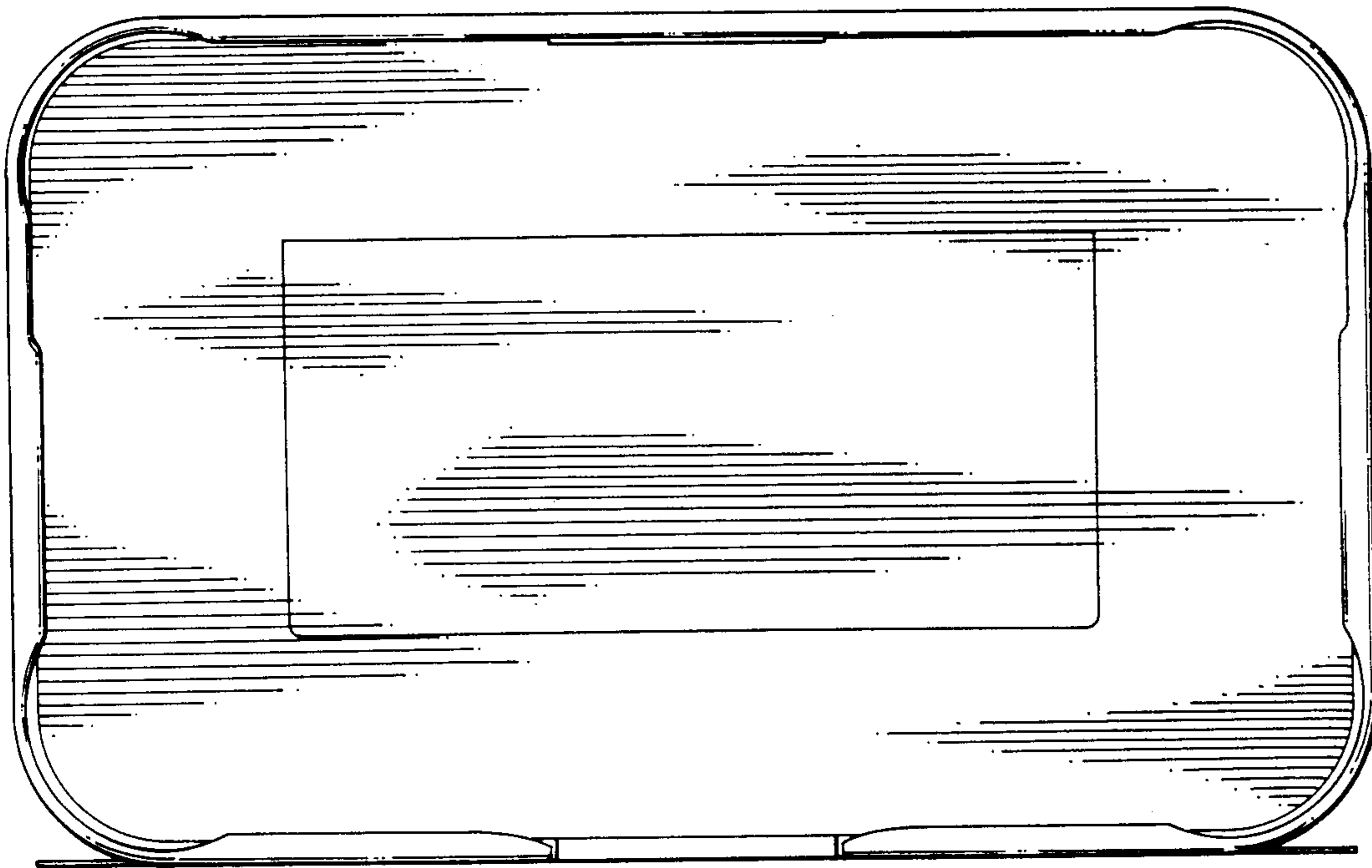


FIG. 4

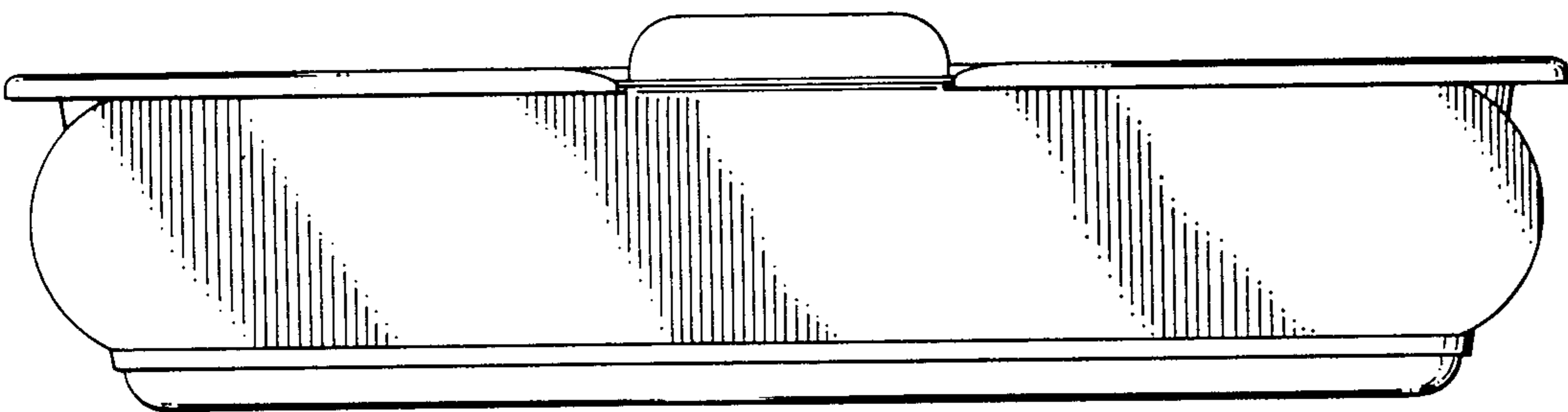


FIG. 5