

[54] CONCRETE DECK INSERT

[76] Inventor: James R. McDonald, Jr., 5117 Worcester Way, Elk Grove, Calif. 95624

[**] Term: 14 Years

[21] Appl. No.: 925,567

[22] Filed: Jul. 17, 1978

[51] Int. Cl. D8-08

[52] U.S. Cl. D8/382; D8/387

[58] Field of Search D8/349, 354, 356, 358, D8/360, 366, 382, 383, 384, 387-389, 394, 395, 396, 499; 52/489, 378, 582, 584, 698-700, 703, 705, 707, 714, 715, 735; 24/74 R

[56] References Cited

U.S. PATENT DOCUMENTS

1,017,036	2/1912	Blake	248/74 R
1,726,286	8/1929	Bennet	52/699
2,829,514	4/1958	MacLean	52/714
4,179,151	12/1979	Tye	52/707

Primary Examiner—B. J. Bullock
Attorney, Agent, or Firm—Robert G. West

[57] CLAIM

The ornamental design for a concrete deck insert, as shown and described.

DESCRIPTION

FIG. 1 is a front elevational view of the front of a concrete deck insert, showing my new design, the rear elevational view being a mirror image thereof;

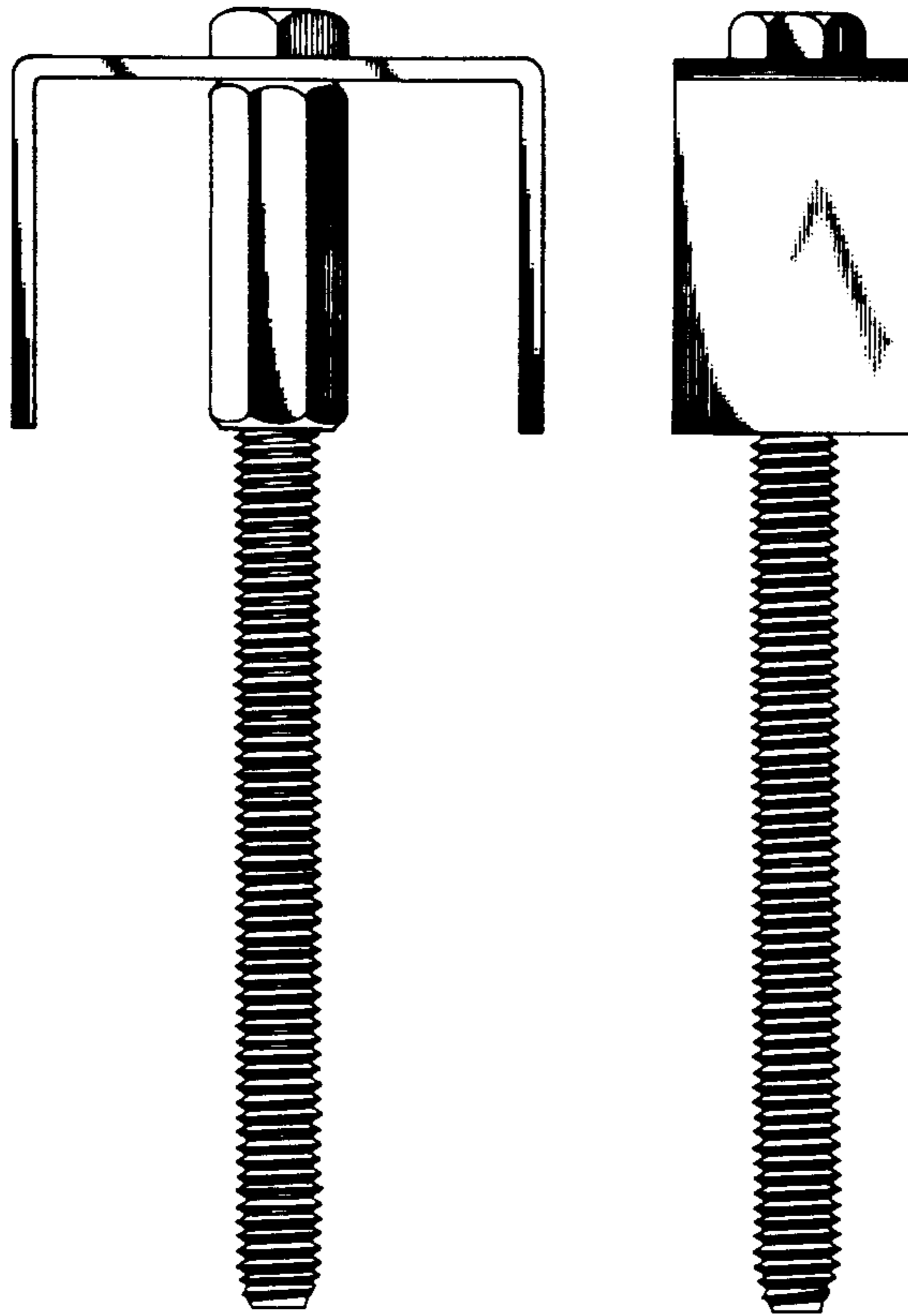
FIG. 2 is an elevational view of one side, the view of the opposite side being a mirror image thereof;

FIG. 3 is a top plan view;

FIG. 4 is a bottom plan view;

FIG. 5 is a partial medial sectional view with the threaded rod and cap fully shown, a portion of said rod being omitted for ease of illustration, the broken line showing of the steel decking for concrete floors for illustrative purposes only;

FIG. 6 is a view similar to FIG. 5 of a modified embodiment of the design of FIG. 1, the only difference being the length of the threaded rod, again, the broken lines being for illustrative purposes only.



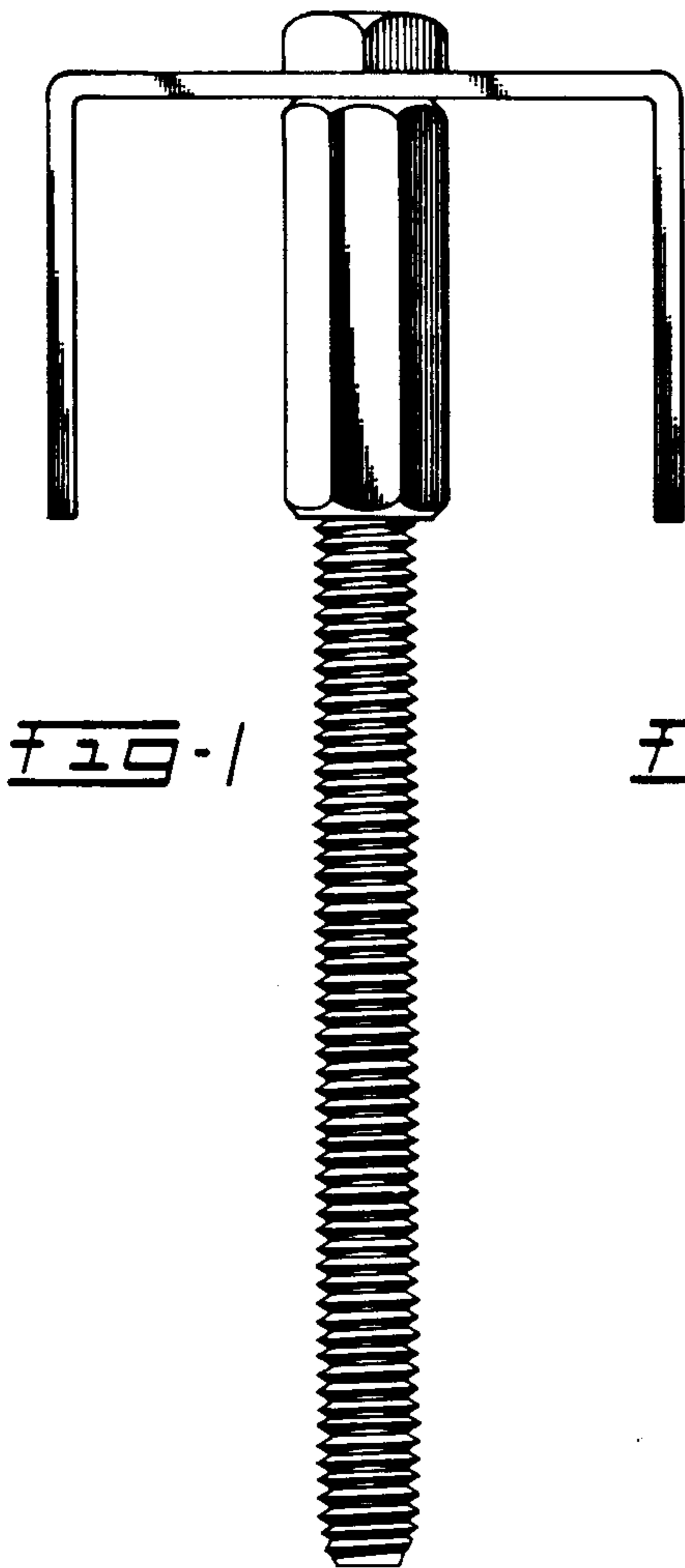


FIG-1

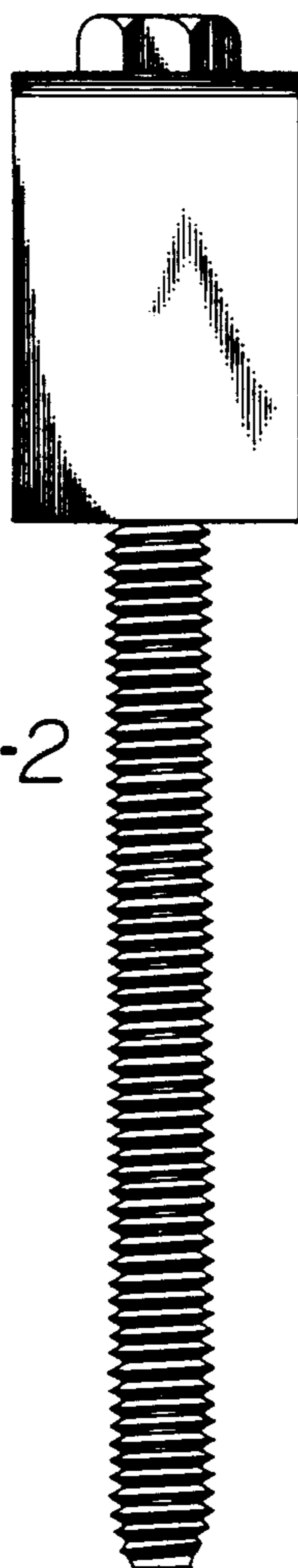


FIG-2

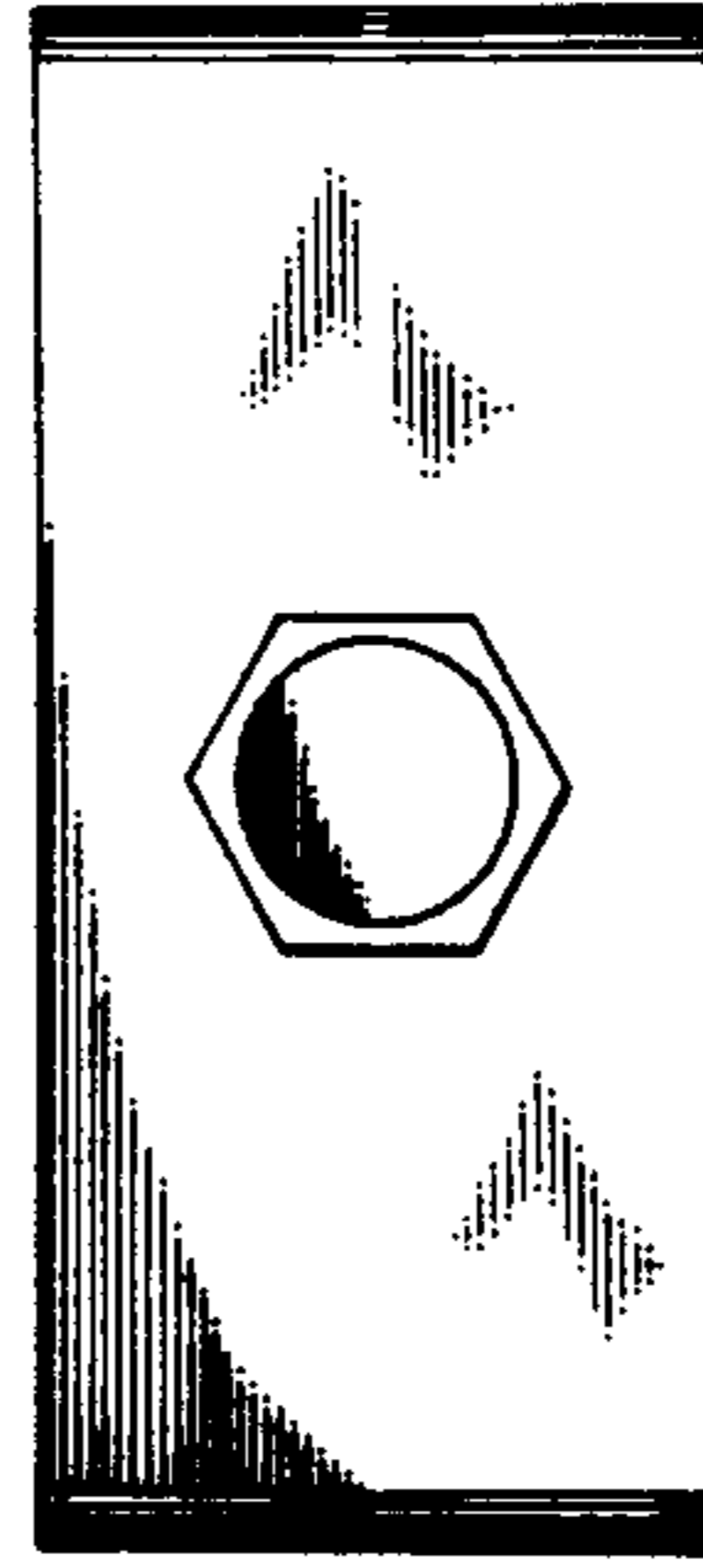


FIG-3



FIG-4

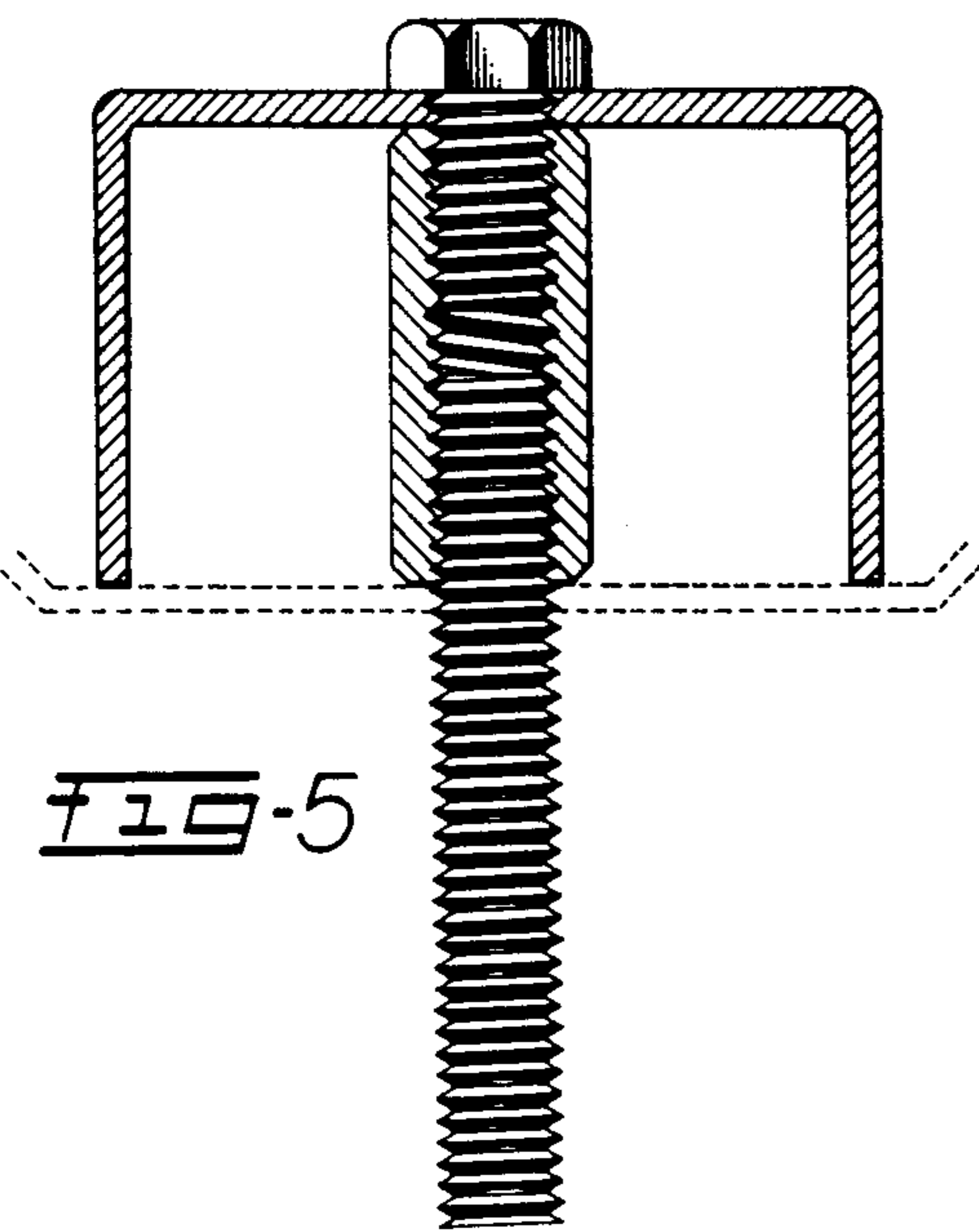


FIG-5

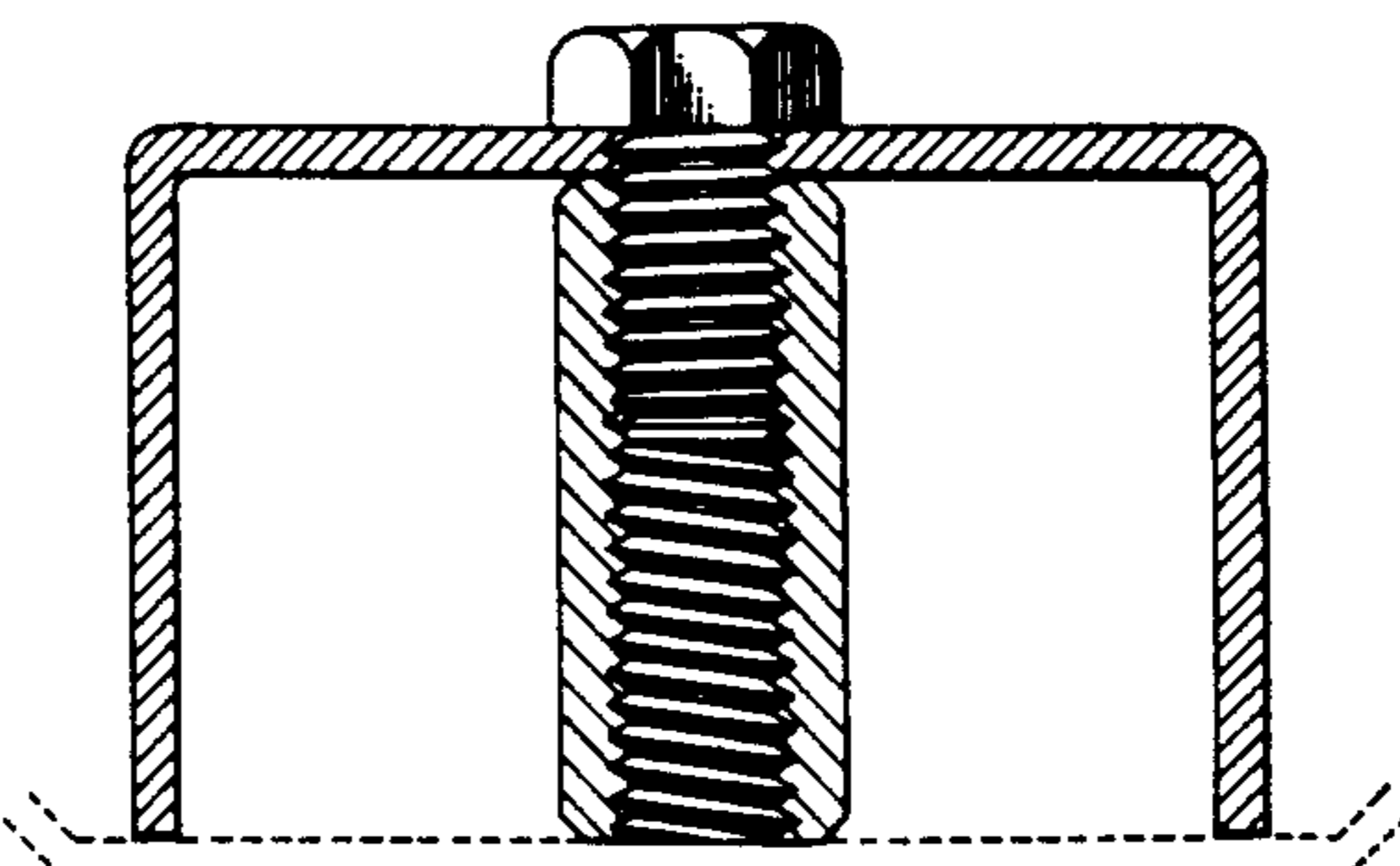


FIG-6