

[54] **REMOVABLE HINGE RETAINER FOR VEHICLE SUN ROOFS**

[75] Inventor: **George E. DeStepheno**, San Dimas, Calif.

[73] Assignee: **Le Van Specialty Co., Inc.**, City of Industry, Calif.

[**] Term: **14 Years**

[21] Appl. No.: **19,002**

[22] Filed: **Mar. 9, 1979**

[51] Int. Cl. **D8-06; D12-16**

[52] U.S. Cl. **D8/323**

[58] Field of Search **D8/323, 325, 336; 296/137 B, 137 H, 137 F; 49/465, 397**

[56] **References Cited**

U.S. PATENT DOCUMENTS

4,154,474 5/1979 Hough et al. 296/137 B

FOREIGN PATENT DOCUMENTS

2749304 11/1977 Fed. Rep. of Germany 296/137 B

Primary Examiner—James M. Gandy

Attorney, Agent, or Firm—Francis X. LoJacono

[57] **CLAIM**

The ornamental design for a removable hinge retainer for vehicle sun roofs, as shown and described.

DESCRIPTION

FIG. 1 is a perspective view of a removable hinge retainer for vehicle sun roofs, showing my new design;

FIG. 2 is a front-elevational view thereof;

FIG. 3 is a side elevational view thereof opposite to that shown in FIG. 1;

FIG. 4 is a top-plan view thereof;

FIG. 5 is a rear-elevational view thereof; and

FIG. 6 is a cross-sectional view taken along line 6-6 of FIG. 5.

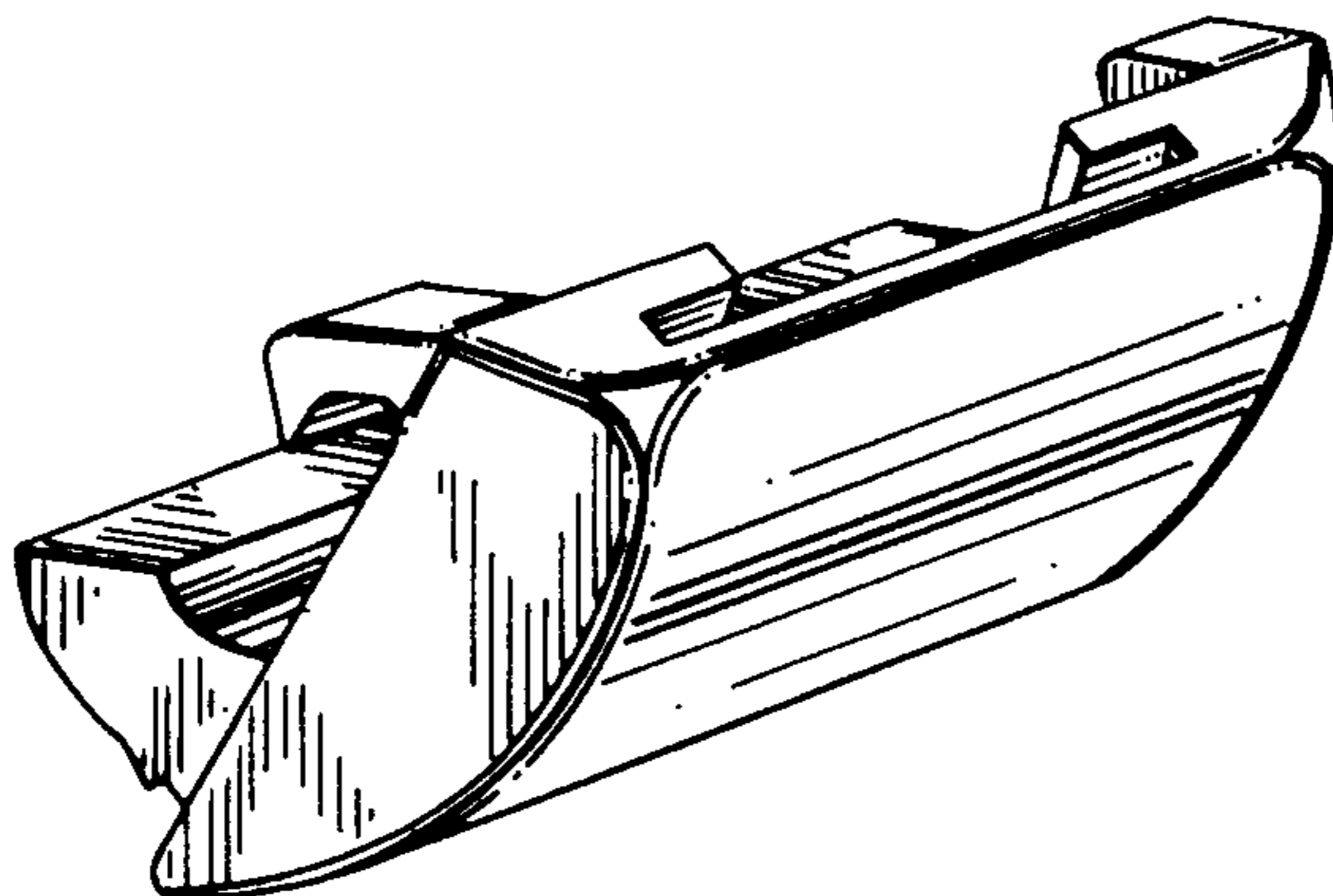


FIG. 1

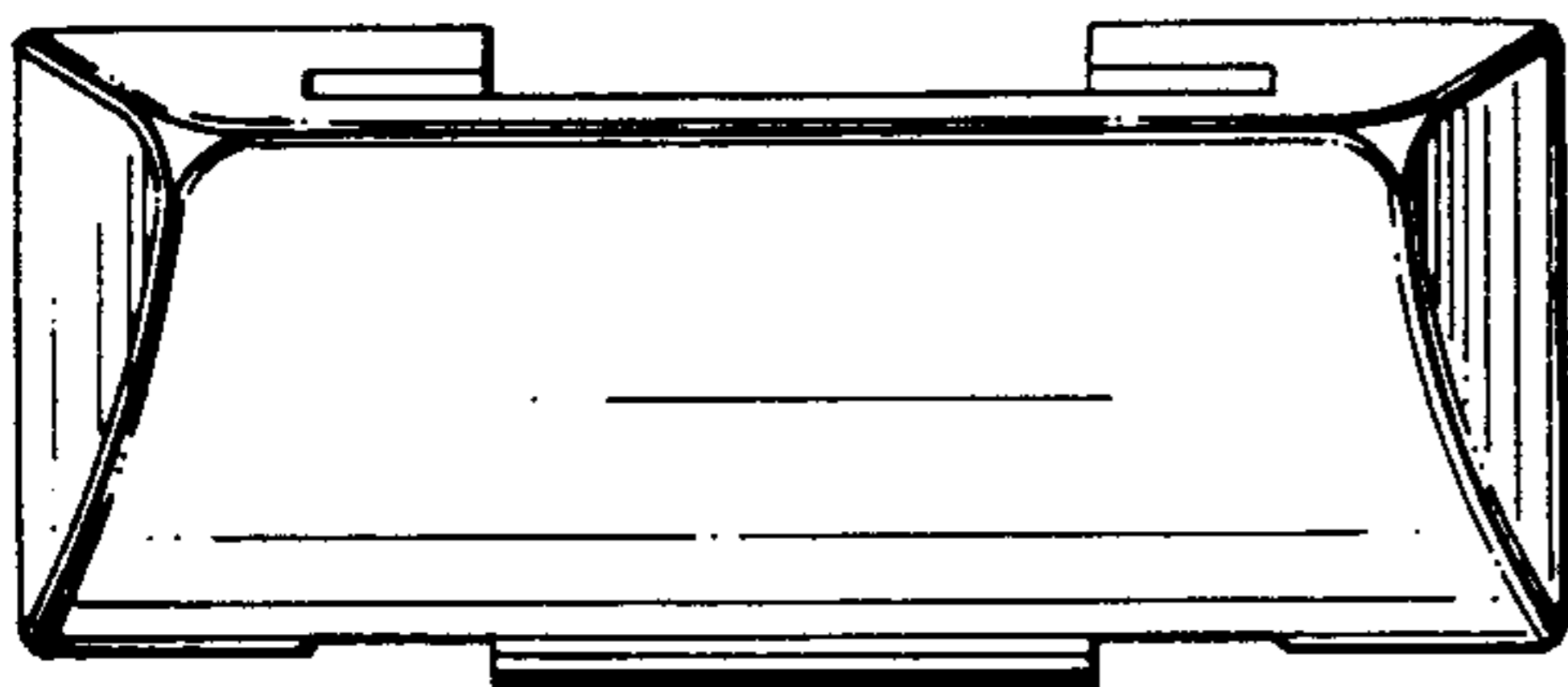
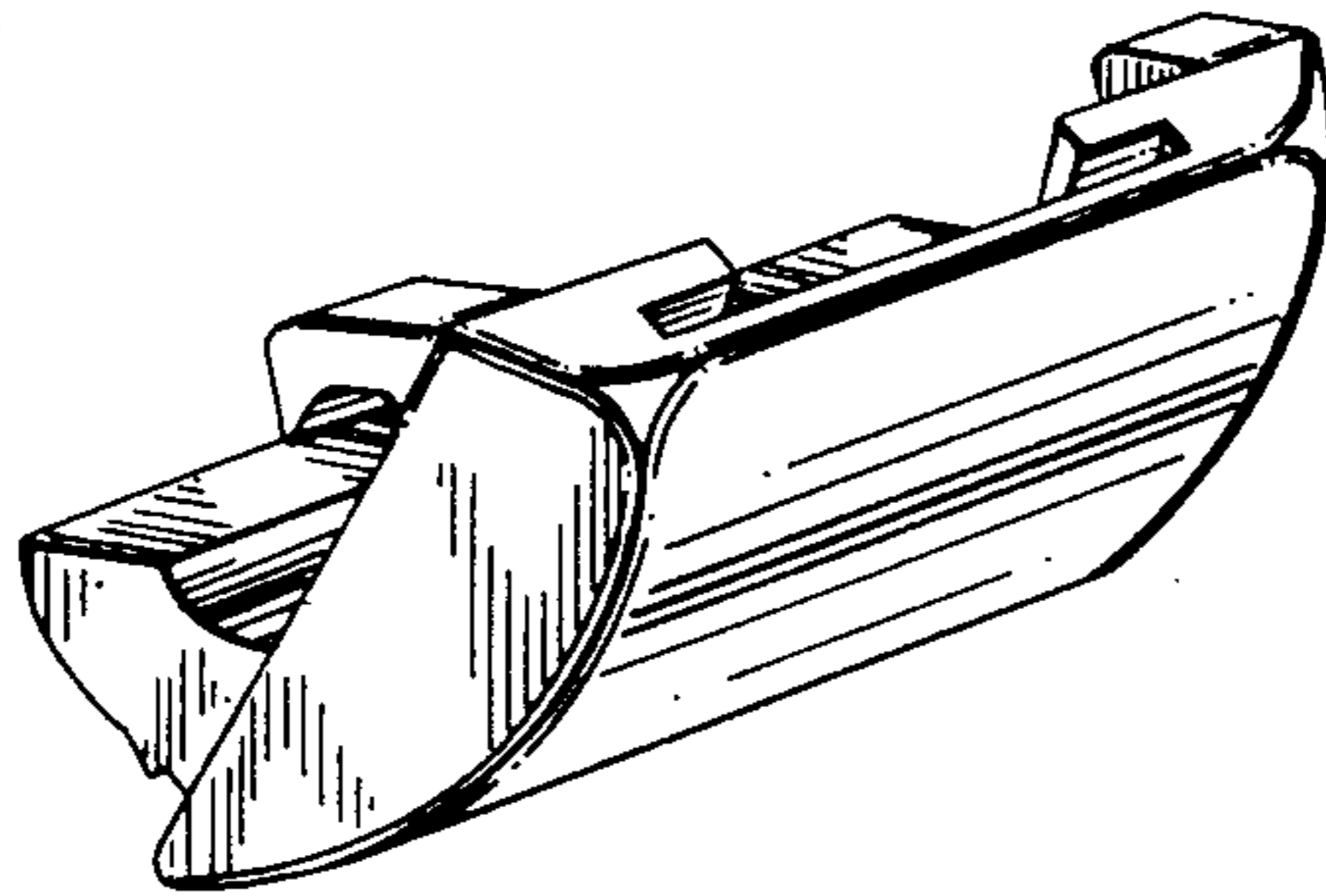


FIG. 2

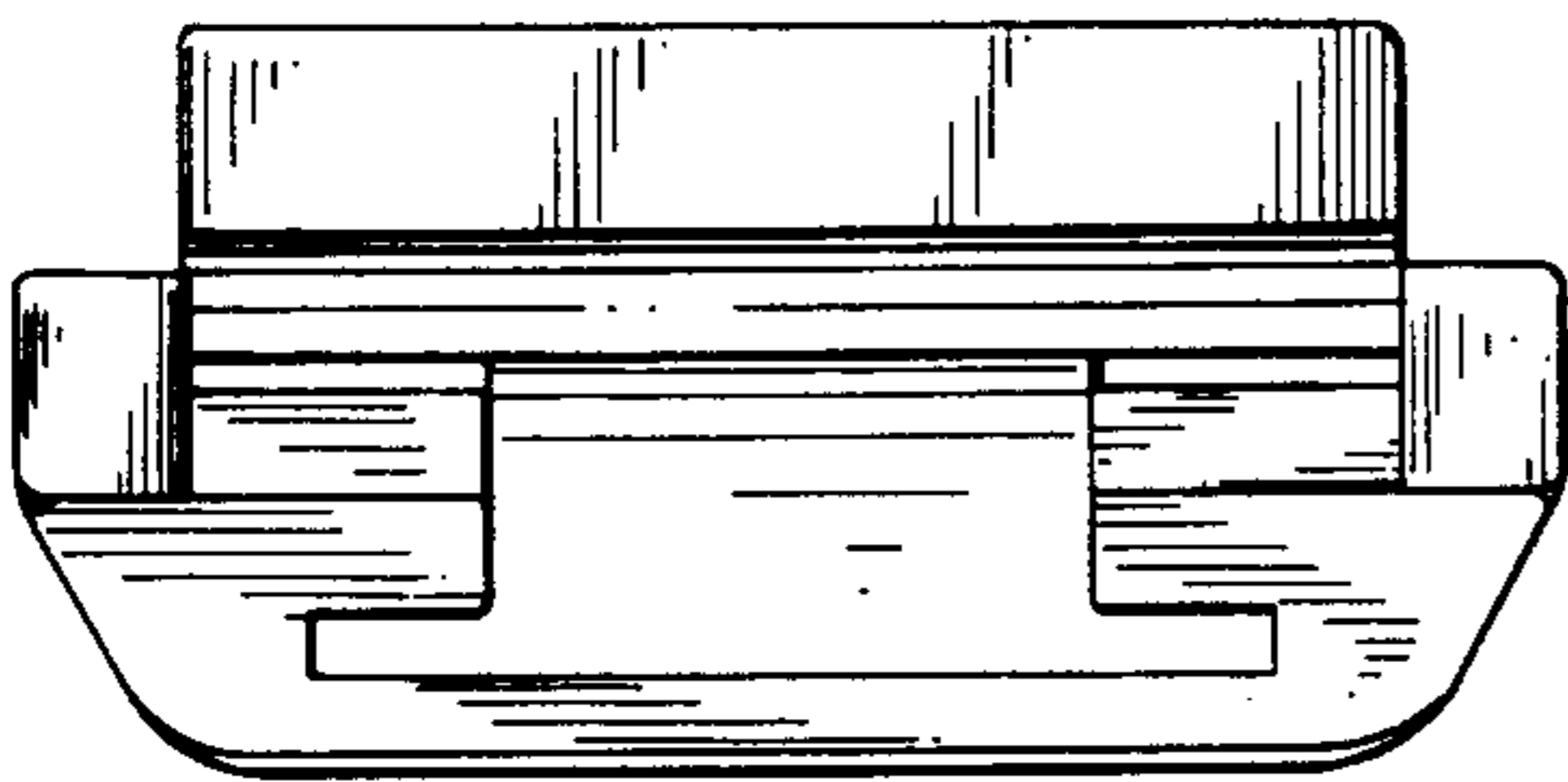


FIG. 4

FIG. 3

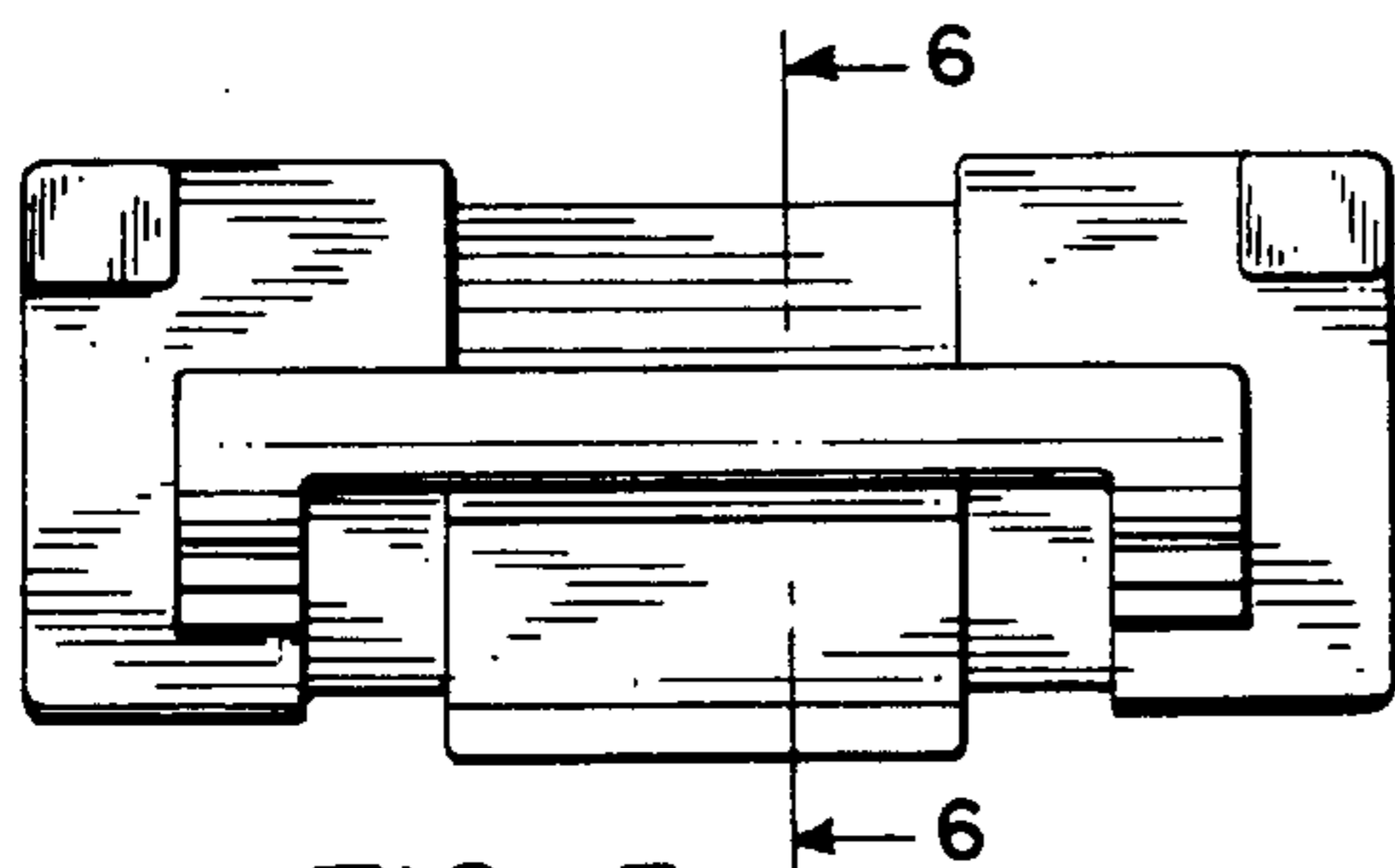
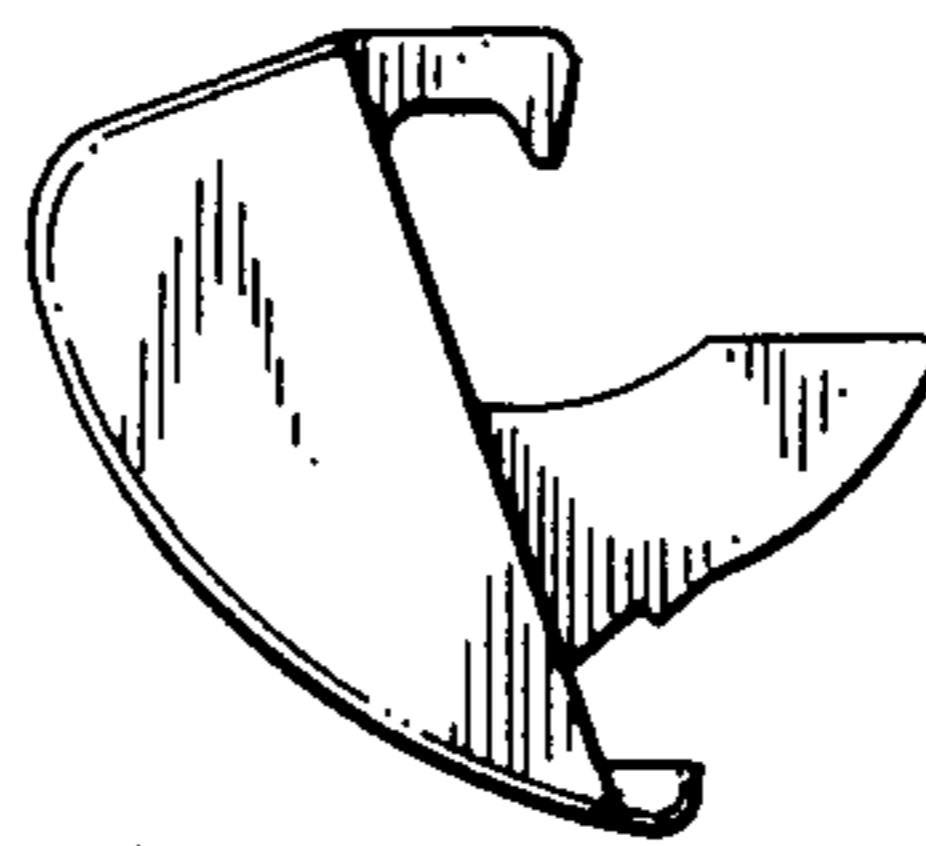


FIG. 5

FIG. 6

